

RF CONNECTORS



Index

1. Overview	5
2. RF Connector Series	6-84
2-1 SMA	6-15
Datasheet	6-70
Cable Type	8-10
PCB Type	11-15
PCB Mount	11
Edge Mount	12
Panel Mount.....	13-14
Top Mount.....	15
2-2 SMB	16-19
Datasheet.....	16-17
Cable Type	18
PCB Type	19
PCB Mount.....	19
Edge Mount.....	19
Top Mount	19
2-3 SSMB	20-22
Datasheet	20-21
Cable Type	22
PCB Type	22
2-4 SMC	23-27
Datasheet	23-24
Cable Type	25-26
PCB Type	27
2-5 MCX	28-34
Datasheet	28-30
Cable Type	31-32
PCB Type	33-35
PCB Mount	33
Edge Mount	34
SMT/SMD	35
2-6 MMCX	36-41
Datasheet	36-37
Cable Type	38-39
PCB Type	40-41
PCB Mount	40
Edge Mount	40
SMT/SMD	41
2-7 TNC	42-46
Datasheet	42-43
Cable Type	44-45
PCB Type	46
PCB Mount	46

Index

	Panel Mount	46
2-8	BNC	47-51
	Datasheet	47-48
	Cable Type	49-50
	PCB Type	51
2-9	N	52-57
	Datasheet	52-53
	Cable Type	54-56
	PCB Type	57
2-10	FME	58-60
	Datasheet	58
	Cable Type	59-60
	PCB Type	61
2-11	MC CARD	62-65
	Datasheet	62-63
	Cable Type	64
	PCB Type	65
2-12	SMP	66-70
	Datasheet	66-67
	Cable Type	68
	PCB Type	69
	PCB Mount	69
	SMT/SMD	69
2-13	F	70-72
	Datasheet	70
	Cable Type	71
	PCB Type	72
2-13	IEC/PAL	73-74
	Datasheet	73
	Receptacle	74
2-15	1.0/2.3	75-78
	Datasheet	75-76
	Cable Type	77
	PCB Type	78
2-16	FAKARA	79-85
	Datasheet	79-80
	Cable Type	81-83
	PCB Type	84-85
3.	Adapters Series	86-95
3-1	SMA Type	86-88
3-2	BNC Type	89-90
3-3	N Type	91-93
3-4	TNC Type	94
3-5	F Type	95

4.	RF Cable Assemblies	96-155
4-1	Mini Coaxial Cable Series	96-113
	0.81mm Cable	96-99
	1.13mm Cable	100-104
	1.32mm Cable	105-107
	1.37mm Cable	108-111
	1.48mm(50&75Ohm)	112-113
4-2	RG Coaxial Cable Series	114-138
	RG142 Cable	114
	RG174 Cable	115-123
	RG178 Cable	124-129
	RG179(75Ohm) Cable	130
	RG316 Cable	131-137
	SS405 Cable	138
4-3	LMR/HDF/Semi Flexible Series	139-145
	LMR-100A	139-141
	LMR-195	142
	LMR-240	143
	LMR-400	144
	LMR-600	145
4-4	Semi Rigid Series	146
4-5	RD Cable Series	147-150
	RD-1.32mm Cable	147
	RD-174 Cable	148
	RD-179 Cable	149
	RD-316 Cable	150
4-6	IPEX Series	151-154
	IPEX(1.5H)	151
	IPEX(2.0H)	152
	IPEX(2.5H)	153-154
5.	IP68 Waterproof Series	155
6.	Related Information	156-157
6-1	IPEX/U.FL Compatibility	156
6-2	Coaxial Cable Specifications	157
7.	Cable Assembly Instructions	158-170
7-1	Solder(Semi-Rigid)	158-161
7-2	Solder / Crimp	162-168
7-3	Clamp / Solder	169
7-4	Crimp	170

EnterTec is one of specialized and famous manufacturer for RF interface in Taiwan. Found in 1997 and we are with fifties staff until now. Since the foundation, we have been selected by clients all over the world with a requirement for customize RF connectors and cable assemblies. Our high quality, competitive price, better lead time and services make our clients satisfy and help to win their own market.

Our clients range has government and personnel departments. According to size, it's from small companies seeking high quality RF products through to large one such as, Garmin, Asus, TSMC, ...etc, seeking to expand their resources in a particular area or to start a specific project. Our major products include below types. Of course, there are some examples, if you can not find what you demand as below, please find our contact address at the first page and tell us to do further help for you.

Main Products:

- RF Connectors
- RF Cable Assemblies
- Semi-rigid Series
- Semi-flexible series
- Mini-coaxial series
- RG/LMR/HDF series
- Low-loss series
- IP68 waterproof series

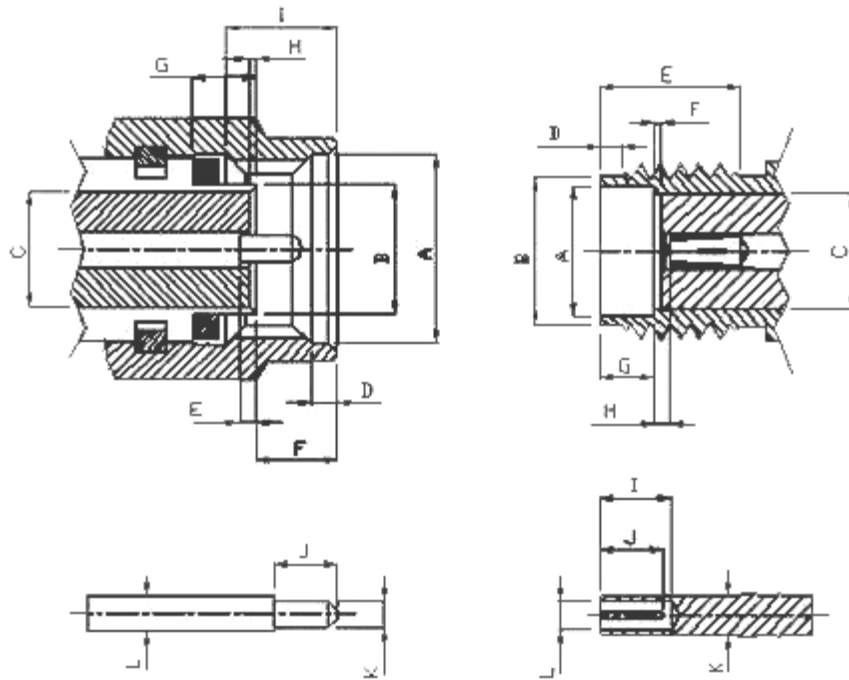
We set 'Research & Development' to do new design with strong innovation spirit all the time. We also undertake the supply for our customer specified electronic RF products. There are many successful examples, and the typical one is like our IP68 waterproof series. EnterTec holds ISO9001:2000 certification and all the products are comply with RoHS and REACH. We pay attention to the new development and generation of related standards as well.

Anyway, please contact us today for the further services.

Description

SMA connectors are precision connectors for microwave application up to 18 GHz and higher. The high mechanical strength, high durability and low VSWR indicate the characters. Together with semi-rigid cable hi-grade lines can be installed. SMA receptacles (launchers) used to provide transition to coax from waveguide, from MIC-paks, and from stripline or microstrip on PCB.

Interface Mating Dimensions



Male				Female					
LTR	Millimeters / Inches				LTR.	Millimeters / Inches			
	Minimum		Maximum			Minimum		Maximum	
A	Φ6.48	Φ.225	Φ6.73	Φ.265	A	Φ4.60	Φ.181	Φ4.67	Φ.184
B	Φ4.34	Φ.171	Φ4.59	Φ.181	B	Φ5.28	Φ.208	Φ5.49	Φ.216
C	Φ4.10	Φ.162	Φ4.13	Φ.163	C	Φ4.10	Φ.162	Φ4.13	Φ.163
D	0.64	.025	1.14	.045	D	0.38	.015	1.14	.045
E	0.00	.000	0.13	.005	E	3.81	.150		
F	2.59	.102	3.35	.132	F	0.00	.000	0.25	.010
G	2.03	.080			G	1.88	.074	1.98	.078
H	0.00	.000	0.25	.010	H	0.00	.000	0.25	.010
I	3.71	.146	4.32	.170	I	2.54	.100		
J	2.03	.080	2.29	.090	J	1.91	.075	2.41	.095
K	Φ0.90	Φ.036	Φ0.93	Φ.037	K	Φ1.25	Φ.049	Φ1.29	Φ.051
L	Φ1.25	Φ.049	Φ1.29	Φ.051	L	Φ0.94	Φ.037	Φ0.99	Φ.039

Material / Finish:

	Material	Finish
Connector body	Brass per (QQ-B-636 or JIS-C3604B)	Nickel or gold plating
	Stainless steel per (QQ-S-764 class 303)	Passivated
Center contact male	Brass per (QQ-B-626 or JIS-C3604B)	Gold plating
Center contact female	Beryllium copper per (QQ-C-530 or JIS-C 1730)	Gold plating
Insulator	PTFE	None
Crimp ferrule	Annealed copper	Same as body
Gasket	Silicone rubber	None

Electrical:

Nominal impedance	50Ω
Frequency up to	12.4 GHz flexible cable, 18 GHz Semi-rigid cable
VSWR	1.10+0.01×f GHz S/T connector typical
	1.2+0.015×f GHz R/A connector typical
Working voltage	335 Volts rms.
Dielectric withstanding	500 Volts rms.
Insulation resistance	5000 MΩmin.
Contact resistance	Center conductor 3.0 MΩ
	Outer conductor 2.0 MΩ

Mechanical & Environmental:

Mating	1/4"-36 UNS Thread coupling
Cable retention	20 lbs typical
Durability	≧ 500 cycles
Coupling nut retention	≧ 40 lbs
Temperature range	-65°C to +165°C
Vibration	Per Mil-STD-202 method 204 Test Condition D
Shock	Per Mil-STD-202 method 213 Test Condition I
Corrosion	Per Mil-STD-202 method 101 Test Condition B

SMA Connector



P/N:10011404
SMA(F) S/T Bulkhead Jack For 0.81mm~1.32mm



P/N:05011913
SMA(F) R/A Bulkhead Jack For RG-174/316



P/N:05015113
SMA(F) S/T Jack For RG-174/316



P/N:10016404
SMA(F) R/A Jack For 1.13mm And P.C.B Mount



P/N:05010513
SMA(F) S/T Bulkhead Jack With O-Ring
For RG-174/316



P/N:05010913
SMA(F) S/T Jack With Panel 2-Hole SQ. Flange
For RG-174/316

SMA Connector



P/N:05011103
SMA(F) S/T Jack With Panel 4-Hole SQ. Flange
For 0.81mm



P/N:10010113
SMA(M) S/T Plug For RG-174/316



P/N:10010313
SMA(M) R/A Plug For RG-174/316



P/N:05014303
SMA(F) S/T R/P Bulkhead Jack For 0.81mm



P/N:05010604
SMA(F) S/T R/P Bulkhead Jack With O-Ring
For 1.13mm



P/N:10011509
SMA(F) S/T R/P Jack For 1.37mm/RG-178

SMA Connector



P/N:05014013
SMA(F) S/T R/P Jack For RG-174/316



P/N:10010413
SMA(M) R/A R/P Plug For RG-174/316



P/N:05011203
SMA(F) S/T R/P Jack With Panel 4-HoleSQ. Flange
For 0.81mm



P/N:05011613
SMA(F) R/A R/P Bulkhead Jack For RG-174/316



P/N:10012006
SMA(F) R/A R/P Jack For 1.37mm And P.C.B Mount



P/N:05010203
SMA(M) S/T R/P Plug For 0.81mm

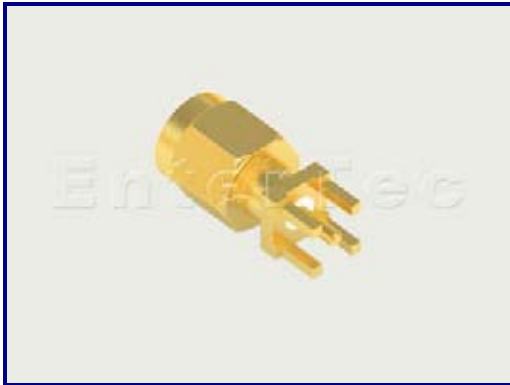
SMA Connector



P/N:10012934
SMA(F) S/T Jack For P.C.B Mount



P/N:10012334
SMA(F) R/A Jack For P.C.B Mount



P/N:10011834
SMA(M) S/T Plug For P.C.B. Mount



P/N:10012734
SMA(F) S/T R/P Jack For P.C.B Mount



P/N:10012234
SMA(F) R/A R/P Jack For P.C.B Mount

SMA Connector



P/N:10012634
SMA(F) S/T Jack For Edge Mount



P/N:10013034
SMA(F) S/T Jack For Edge Mount



P/N:10013934
SMA(F) S/T Jack For Edge Mount



P/N:10015634
SMA(F) S/T Jack For Edge Mount



P/N:10015534
SMA(M) S/T Plug For Edge Mount



P/N:10019334
SMA(F) S/T R/P Bulkhead Jack For Edge Mount

SMA Connector



P/N:10013134
SMA(F) S/T Jack With Panel 2-Hole SQ. Flange
For Panel Mount



P/N:10013234
SMA(F) S/T Jack With Panel 2-Hole SQ. Flange
For Panel Mount



P/N:10017634
SMA(F) S/T Jack With Panel 2-Hole SQ. Flange
For Panel Mount



P/N:10019534
SMA(F) S/T Jack With Panel 2-Hole SQ. Flange
For Panel Mount



P/N:10013334
SMA(F) S/T Jack With Panel 2-Hole SQ. Flange
For Panel Mount



P/N:10016634
SMA(F) S/T Jack With Panel 4-Hole SQ. Flange
For Panel Mount

SMA Connector



P/N:07017034
SMA(F) R/A Jack With Panel 4-Hole SQ. Flange
For Panel Mount



P/N:10011734
SMA(M) S/T Plug With Panel 4-Hole SQ. Flange
For Panel Mount



P/N:10013434
SMA(F) S/T Jack For Panel Mount



P/N:10013534
SMA(F) S/T Jack For Panel Mount



P/N:10016234
SMA(F) S/T R/P Jack For Panel Mount



P/N:04014734
SMA(M) S/T Bulkhead Plug Receptacle

SMA Connector



P/N:10018234
SMA(F) S/T Jack For Top Mount



P/N:10018534
SMA(F) S/T Jack For Top Mount

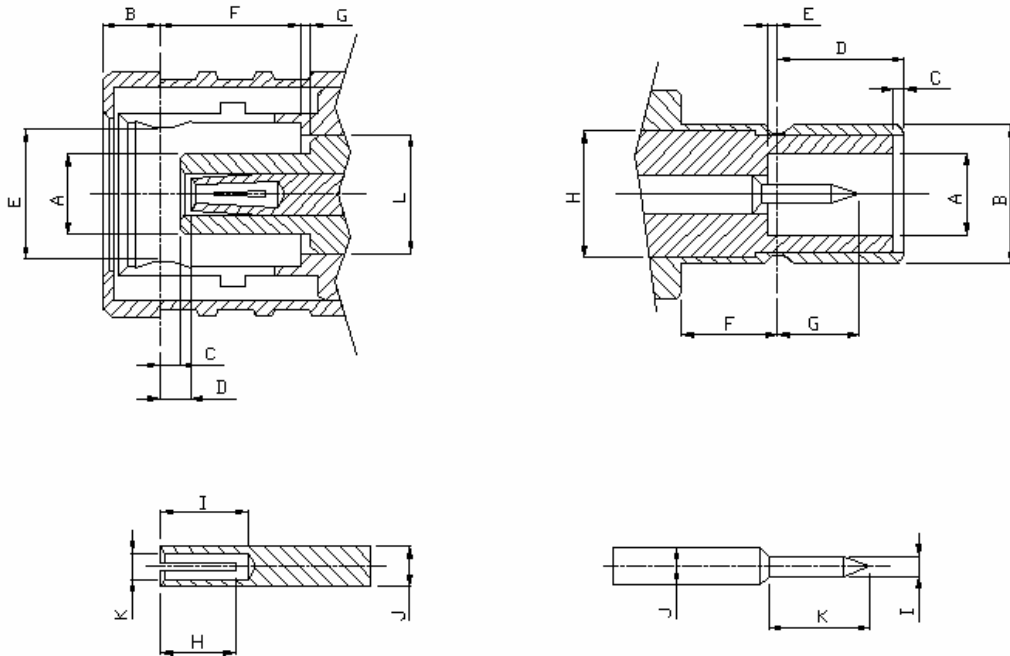


P/N:13018334
SMA(F) R/A Jack For Top Mount

Description

SMB connectors are suitable for application from DC up to 4 GHz. respectively 4 GHz. SMB is quick connection/disconnection snap-on mating.

Interface Mating Dimensions



Plug(Female Contact)				Jack(Male Contact)					
LTR	Millimeters / Inches				LTR.	Millimeters / Inches			
	Minimum		Maximum			Minimum		Maximum	
A	Φ2.01	Φ.079	Φ2.06	Φ.081	A	Φ2.08	Φ.082	Φ2.16	
B			1.63	.064	B	Φ3.66	Φ.144	Φ3.71	Φ.146
C	0.27	.011	0.52	.021	C	0.04	.002	0.24	.010
D	0.29	.012	0.57	.023	D	3.48	.137	3.53	.139
E	Φ3.40	Φ.134	Φ3.50	Φ.138	E	0.05	.002		
F	3.58	.141	0.60	.149	F	1.65	.065		
G	0.00	.000	0.62	.012	G	2.39	.094	2.72	.107
H	1.65	.065			H	Φ3.05	Φ.120	Φ3.0	Φ.121
I	2.79	.110			I	Φ0.48	Φ.019	Φ0.53	Φ.021
J	Φ1.00	Φ.039	Φ1.04	Φ.041	J	Φ0.97	Φ.038	Φ0.99	Φ.039
K	Φ0.56	Φ.022	Φ0.60	Φ.024	K	2.51	.099	2.70	.103
L	Φ3.05	Φ.120	Φ3.08	Φ.121	L				

Material / Finish:

	Material	Finish
Connector body	Brass per(QQ-B-626 or JIS-C3604B)	Gold plating
Center contact male	Brass per(QQ-B-626 or JIS-C3604B)	Gold plating
Center contact female	Beryllium copper per(QQ-C-530 or JIS-C 1730)	Gold plating
Insulator	PTFE	None
Crimp ferrule	Annealed copper	Same as body

Electrical:

Nominal impedance	50Ω
Frequency up to	4.0 GHz
VSWR	1.25+0.05×f GHz
Working voltage	250 Volts rms.
Dielectric withstanding	750 Volts rms.
Insulation resistance	1000 MΩmin.
Contact resistance	Center conductor 6.0 MΩ
	Outer conductor 1.5 MΩ

Mechanical & Environmental:

Mating	Snap on coupling
Cable retention	8 lbs typical
Engage fore	6.0 lbs MAX.
Disengage force	1.0 lbs MIN.
Durability	≧ 500 cycles
Temperature range	PTFE -55°C to +155°C
Vibration	Per Mil-STD-202 method 204 Test Condition D
Shock	Per Mil-STD-202 method 213 Test Condition I
Corrosion	Per Mil-STD-202 method 101 Test Condition B

SMB Connector



P/N:10050904
SMB(M Contact) S/T Bulkhead Jack For 1.13mm



P/N:10050313
SMB(M Contact) S/T Jack For RG-174/316



P/N:10050113
SMB(F Contact) S/T Plug For RG-174/316



P/N:10050110
SMB(F Contact) S/T Plug For RG-179(75 Ohm)



P/N:07050203
SMB(F Contact) R/A Plug For 0.81mm

SMB Connector



P/N:10051034
SMB(M Contact) S/T Jack For P.C.B Mount



P/N:10051234
SMB(M Contact) R/A Jack For P.C.B Mount



P/N:10050734
SMB(F Contact) S/T Plug For P.C.B. Mount



P/N:06051934
SMB(F Contact) R/A Plug For P.C.B Mount



P/N:10052334
SMB(M Contact) S/T Jack For Edge Mount

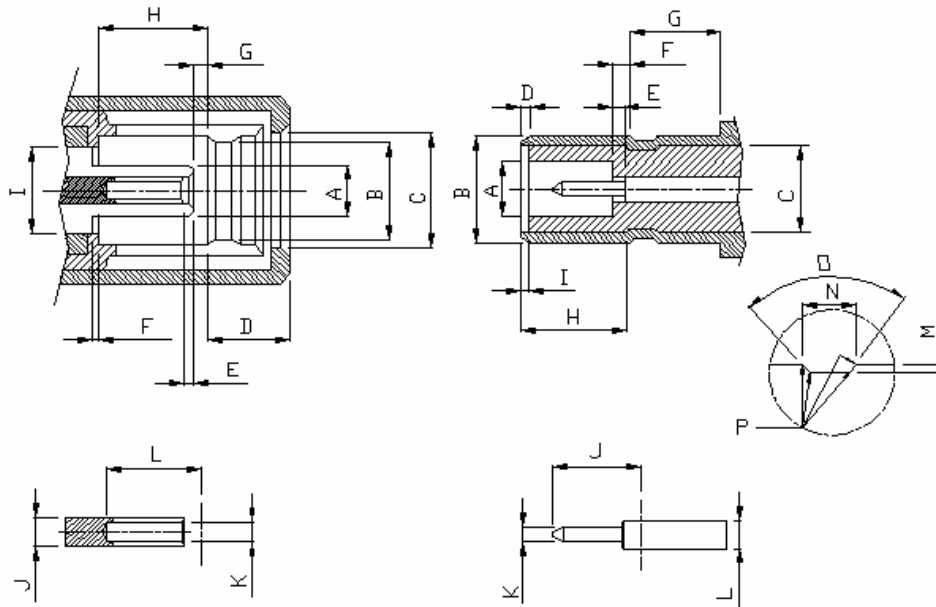


P/N:13052534
SMB(M Contact) S/T Jack For Top Mount

Description

SSMB has a snap-on coupling it is a miniaturized SMB connectors are designed for use where small, durable, light-weight interconnections are needed.

Interface Mating Dimensions



Male				Female					
LTR	Millimeters / Inches				LTR.	Millimeters / Inches			
	Minimum		Maximum			Minimum		Maximum	
A	Φ1.30	Φ0.51	Φ1.35	Φ.053	A	Φ1.37	Φ.054	Φ1.42	Φ.056
B	Φ2.46	Φ.097	Φ2.51	Φ.099	B	Φ2.62	Φ.103	Φ2.68	Φ.106
C	Φ2.74	Φ.108	Φ3.21	Φ.127	C	Φ2.11		Φ.083	
D			2.26	.089	D	0.00	.000	0.50	.020
E	0.00	.000	0.20	.008	E	0.00	.000	0.13	.005
F	0.00	.000	0.20	.008	F	0.46	.018	0.56	.022
G	0.43	.017	0.53	.021	G	2.29	.090		
H	2.74	.108	2.79	.110	H	2.69	.106	2.74	.108
I		Φ2.11	Φ.083		I	0.00	.000	0.13	.005
J	Φ0.63	Φ.025	Φ0.68	Φ.027	J			2.44	.096
K	Φ0.45	Φ.018	Φ0.50	Φ.020	K	Φ0.36	Φ.014	Φ0.40	Φ.016
L	2.46	.097			L	Φ0.63	Φ.025	Φ0.68	Φ.027
M					M	0.05	.002	0.15	.006
N					N	0.64	.025	0.74	.029
O					O	9			
P	Φ1.30	Φ.051			P	R 0.03		R 0.08	

Material / Finish:

	Material	Finish
Connector body	Brass per(QQ-B-626 or JIS-C3604B)	Nickel or gold plating
Center contact male	Brass per(QQ-B-626 or JIS-C3604B)	Gold plating
Center contact female	Beryllium copper per(QQ-C-530 or JIS-C 1730) or Phosphor bronze per(QQ-B-750 or JIS-C5441B)	Gold plating
Insulator	PTFE	None
Crimp ferrule	Annealed copper	Same as body
Gasket	Silicone rubber	None

Electrical:

Nominal impedance	50Ω
Frequency up to	3.0 GHz
VSWR	1.25 max. at 1 GHz straight connector
	1.5 max. at 1 GHz right angle connector
Working voltage	250 Volts rms.
Dielectric withstanding	500 Volts rms.
Insulation resistance	500 MΩmin.
Contact resistance	Center conductor 6.0 MΩ
	Outer conductor 1.5 MΩ

Mechanical & Environmental:

Mating	Snap on coupling
Cable retention	5 lbs typical
Durability	≥ 500 cycles
Engagement force	25 N max
Disengagement range	4.0 N min
Temperature range	-65°C to +165°C
Vibration	Per Mil-STD-202 method 204 Test Condition D
Shock	Per Mil-STD-202 method 213 Test Condition I
Corrosion	Per Mil-STD-202 method 101 Test Condition B

SSMB Connector



P/N:10120313
SSMB(M Contact) S/T Jack For RG-174/316



P/N:10120413
SSMB(M Contact) R/A Jack For RG-174/316



P/N:10120113
SSMB(F Contact) S/T Plug For RG-174/316



P/N:10120613
SSMB(F Contact) R/A Plug For RG-174/316



P/N:10120834
SSMB(M Contact) S/T Jack For P.C.B Mount

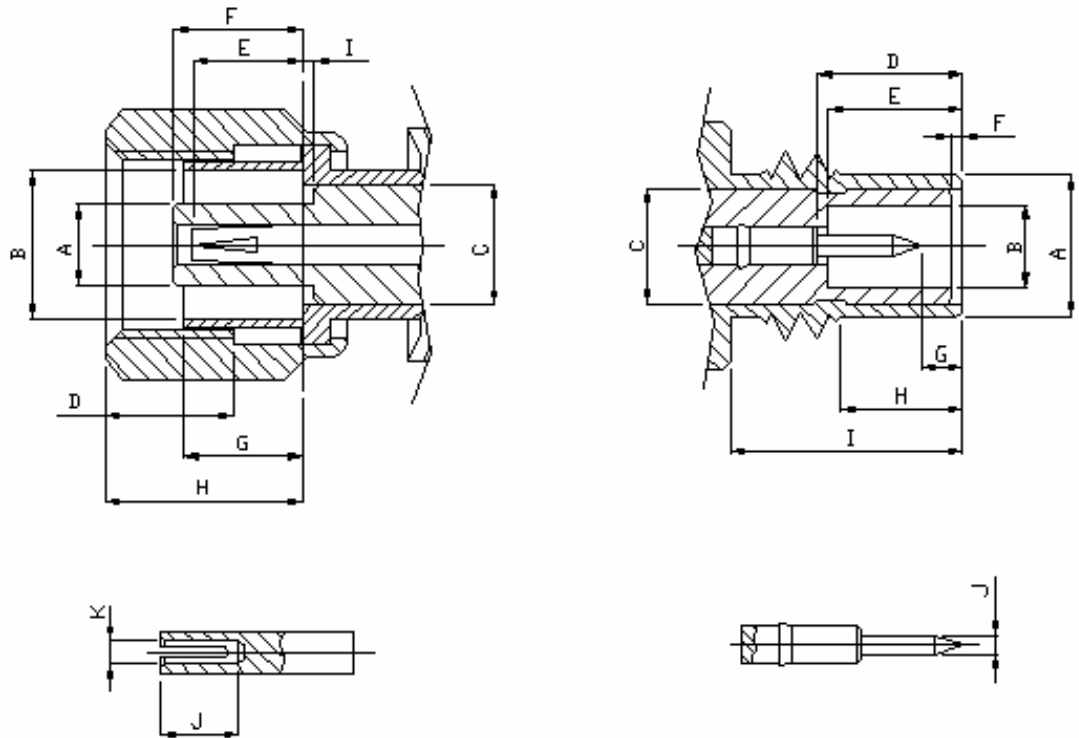


P/N:10120534
SSMB(F Contact) S/T Plug For P.C.B Mount

Description

SMC connectors are suitable for application from DC up to 10 GHz, respectively 4 GHz. For quick connection/disconnection even in a limited space.

Interface Mating Dimensions



Plug(Female Contact)				Jack(Male Contact)					
LTR	Millimeters / Inches			LTR.	Millimeters / Inches				
	Minimum	Maximum			Minimum	Maximum			
A	Φ2.01	Φ.079	Φ2.06	Φ.081	A	Φ3.66	Φ.144	Φ3.71	Φ.146
B	Φ3.73	Φ.147	Φ3.81	Φ.150	B	Φ2.08	Φ.082	Φ2.16	Φ.085
C	3.05	.120	3.07	.121	C	Φ3.05	Φ.120	Φ3.07	Φ.121
D	2.79	.110			D	3.40	.134	3.51	.138
E	3.05	.120	3.10	.122	E	3.40	.134	3.61	.142
F	3.23	.127	3.40	.134	F	0.00	.000	0.25	.010
G	3.30	.130	3.40	.134	G	0.79	.031		
H			5.92	.233	H	3.12	.123	3.38	.133
I	0.00	.000	0.15	.006	I	5.94	.234		
J	2.79	.110			J	Φ0.48	Φ.019	Φ0.53	Φ.039
K	Φ0.56	.022	Φ0.60	.024	K				
L					L				

Material / Finish:

	Material	Finish
Connector body	Brass per(QQ-B-626 or JIS-C3604B)	Nickel or gold plating
Center contact male	Brass per(QQ-B-626 or JIS-C3604B)	Gold plating
Center contact female	Beryllium copper per(QQ-C-530 or JIS-C 1730) or Phosphor bronze per(QQ-B-750 or JIS-C5441B)	Gold plating
Insulator	PTFE	None
Crimp ferrule	Annealed copper	Same as body
Gasket	Silicone rubber	None

Electrical:

Nominal impedance	50Ω
Frequency up to	10 GHz
VSWR	1.25+0.05×f GHz
Working voltage	250 Volts rms.
Dielectric withstanding	750 Volts rms.
Insulation resistance	1000 MΩmin.
Contact resistance	Center conductor 6.0 MΩ
	Outer conductor 1.5 MΩ

Mechanical & Environmental:

Mating	10-32 UNEF Thread coupling
Cable retention	10 lbs typical
Durability	≧ 500 cycles
Coupling nut retention	≧ 25 lbs
Temperature range	PTFE -65°C to -165°C
Vibration	Per Mil-STD-202 method 204 Test Condition D
Shock	Per Mil-STD-202 method 213 Test Condition I
Corrosion	Per Mil-STD-202 method 101 Test Condition B

SMC Connector



P/N:10110304
SMC(M Contact) S/T Jack For 1.13mm



P/N:10110604
SMC(M Contact) S/T Bulkhead Jack For 1.13mm~1.37mm



P/N:10110113
SMC(F Contact) S/T Plug For RG-174/316



P/N:04110213
SMC(F Contact) R/A Plug For RG-174/316



P/N:06110109
SMC(F Contact) S/T Plug For RG-178



P/N:10110119
SMC(F Contact) S/T Plug For .085 Semi-Rigid/RG-405

SMC Connector



P/N:04110109
SMC(F Contact) S/T Plug For RG-178



P/N:10110219
SMC(F Contact) R/A Plug For .085 Semi-Rigid/RG-405



P/N:04110814
SMC(F Contact) R/A Plug For RG-174/316

SMC Connector



P/N:10110934

SMC(M Contact) R/A Jack For P.C.B Mount



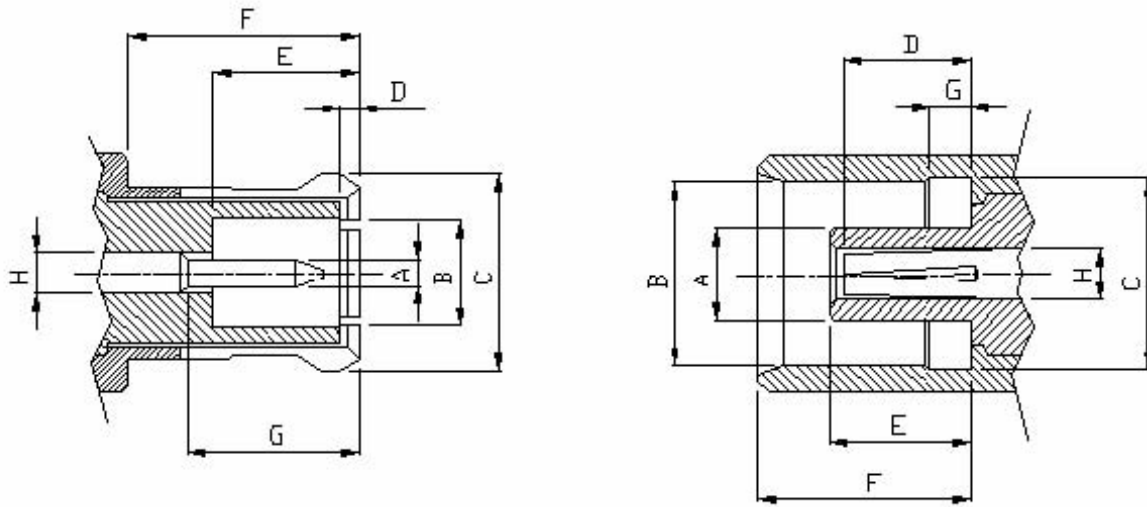
P/N:06110734

SMC(M Contact) R/A Jack For P.C.B Mount

Description

MCX micro miniature connectors have an essential space reduction against SMB. MCX connectors can be used from DC to 6GHz and higher. The features are high reliability and durability as well as ease of assembly to coaxial cable.

Interface Mating Dimensions



Male				Female					
LTR.	Millimeters / Inches				LTR.	Millimeters / Inches			
	Minimum		Maximum			Minimum		Maximum	
A	Φ0.48	Φ.019	Φ0.53	Φ.021	A	Φ1.08	Φ.071	Φ1.97	Φ.076
B	Φ2.00	Φ.079	Φ2.07	Φ.081	B	Φ3.43	Φ.135	Φ3.48	Φ.137
C	Φ3.66	Φ.144	Φ3.76	Φ.148	C	Φ3.61	Φ.142	Φ3.75	Φ.148
D	0.00	.000	0.30	.012	D	2.31	.091	2.79	.110
E	2.81	.111	3.20	.126	E	2.61	.103	2.79	.110
F	4.16	.164			F	4.00	.157	4.12	.162
G	2.81	.111	3.20	.126	G	0.75	.030	0.85	.033
H	Φ0.94	Φ.037	Φ0.98	Φ.039	H				

Material / Finish:

	Material	Finish
Connector body	Brass per(QQ-B-626 or JIS-C3604B)	Nickel or gold plating
Center contact male	Brass per(QQ-B-626 or JIS-C3604B)	Gold plating
Center contact female	Beryllium copper per(QQ-C-530 or JIS-C 1730) or Phosphor bronze per(QQ-B-750 or JIS-C5441B)	Gold plating
Insulator	PTFE	None
Crimp ferrule	Annealed copper	Same as body

Electrical:

Nominal impedance	50Ω
Frequency up to	6 GHz
VSWR	1.30 max. at 1 GHz straight connector
Working voltage	250 Volts rms.
Dielectric withstanding voltage	500 Volts rms.
Insulation resistance	1000 MΩmin.
Contact resistance	Center conductor 5.0 MΩ
	Outer conductor 2.0 MΩ

Mechanical & Environmental:

Mating	Snap on coupling
Cable retention	10 lbs typical
Engage force	≤ 25N
Disengage force	5 to 25 N
Durability	≥ 500 cycles
Temperature range	-65°C to +165°C
Vibration	Per Mil-STD-202 method 204 Test Condition D
Shock	Per Mil-STD-202 method 213 Test Condition I
Corrosion	Per Mil-STD-202 method 101 Test Condition B

Material / Finish:

	Material	Finish
Connector body	Brass per(QQ-B-626 or JIS-C3604B)	Gold plating
Center contact male	Brass per(QQ-B-626 or JIS-C3604B)	Gold plating
Insulator	PTFE	None
Crimp ferrule	Annealed copper	Same as body

Electrical:

Nominal impedance	75Ω
Frequency up to	0~3 GHz
VSWR	<1.5
Working voltage	250 Volts rms.
Dielectric withstanding voltage	500 Volts rms.
Insulation resistance	1000 MΩmin.
Contact resistance	Center conductor 6.0 MΩ
	Outer conductor 2.5 MΩ

Mechanical & Environmental:

Mating	Snap on coupling
Cable retention	35N typical
Engage force	25N max.
Disengage force	5~25 N
Durability	≥ 500 cycles
Temperature range	-55°C to +155°C
Vibration	Per Mil-STD-202 method 204 Test Condition D
Corrosion	Per Mil-STD-202 method 101 Test Condition B

MCX Connector



P/N:10030319
MCX(F) S/T Jack For .085 Semi-Rigid/RG-405



P/N:10030404
MCX(F) S/T Bulkhead Jack For 1.13mm



P/N:10032903
MCX(F) S/T Bulkhead Jack For 0.81mm



P/N:10031904
MCX(F) R/A Jack For 1.13mm And P.C.B Mount



P/N:10033713
MCX(F) R/A Jack For RG-174/316



P/N:13031913
MCX(F) R/A Jack For RG-174/316

MCX Connector



P/N:10030213
MCX(M) S/T Plug For RG-174/316



P/N:10033310
MCX(M) S/T Plug For RG-179(75 Ohm)



P/N:10030113
MCX(M) R/A Plug For RG-174/316



P/N:10032809
MCX(F) S/T R/P Bulkhead Jack For RG-178



P/N:10030613
MCX(M) S/T R/P Plug For RG-174/316

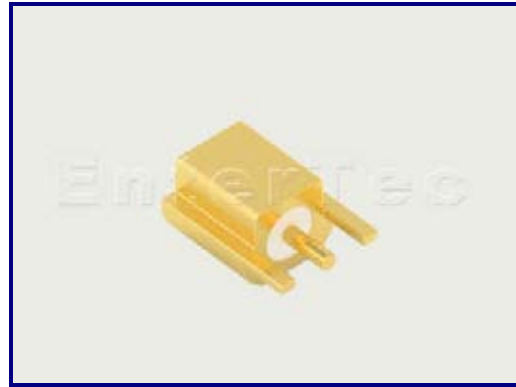


P/N:10030524
MCX(M) R/A R/P Plug For LMR-200

MCX Connector



P/N:10030210
MCX(M) S/T Plug For RG-179(75 Ohm)



P/N:10031534
MCX(F) S/T Jack For P.C.B Mount



P/N:10031034
MCX(F) S/T Jack For P.C.B Mount



P/N:10031234
MCX(F) R/A Jack For P.C.B Mount



P/N:10030734
MCX(M) S/T Plug For P.C.B Mount

MCX Connector



P/N:10032734

MCX(F) S/T Jack For Edge Mount



P/N:10032634

MCX(F) S/T Jack For Edge Mount



P/N:10030934

MCX(F) S/T Jack For Edge Mount



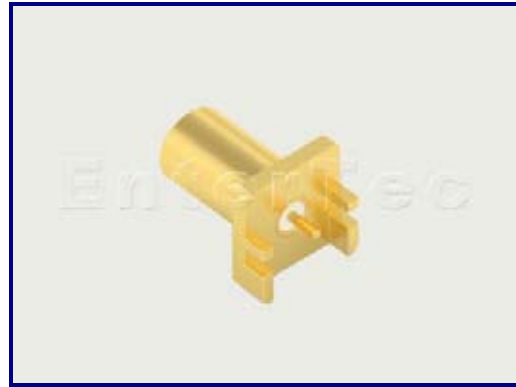
P/N:22032134

MCX(F) S/T Jack For Edge Mount(75 Ohm)

MCX Connector



P/N:10031334
MCX(F) S/T Jack For SMT



P/N:10031134
MCX(F) S/T Jack For SMT



P/N:10032034
MCX(M) S/T Plug For SMT



P/N:10033134
MCX(F) S/T Jack Switch

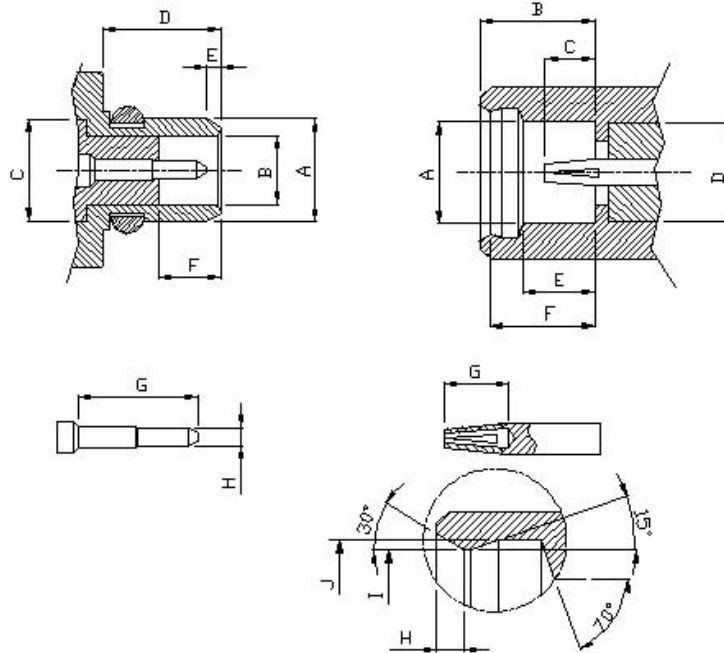


P/N:10033234
MCX(F) S/T Jack Switched Edge Card Receptacle

Description

MMCX connectors were developed for applications which require smallest dimensions. MMCX connectors can be used from DC up to 6GHz and higher. The locking consists of a snap-on mechanism. Also the non-slotted outer conductor the connection has a low Rf-leakage.

Interface Mating Dimensions



Male				Female					
LTR	Millimeters / Inches				LTR.	Millimeters / Inches			
	Minimum		Maximum			Minimum		Maximum	
A			Φ2.39	Φ.094	A	Φ2.41	Φ.095		
B	Φ1.57	Φ.062	Φ1.63	Φ.064	B	2.59	.102		
C	Φ2.31	Φ.091	Φ2.36	Φ.092	C	0.89	.035	1.20	.047
D	2.69	.106			D	Φ2.31	Φ.091	Φ2.36	Φ.093
E	0.00	.000	0.25	.100	E	1.57	.062	1.63	.064
F	1.45	.057			F	2.28	.090	2.33	.092
G			3.15	.124	G	1.40	.055		
H	0.38	.015	0.43	.017	H			0.23	.009
I					I	Φ2.87	Φ.113	Φ2.90	Φ.114
J					J	Φ3.00	Φ.118	Φ3.05	Φ.120

MMCX Technical Data

Material / Finish:

	Material	Finish
Connector body	Brass per(QQ-B-626 or JIS-C3604B)	Gold plating
Center contact male	Brass per(QQ-B-626 or JIS-C3604B)	Gold plating
Center contact female	Beryllium copper per(QQ-C-530 or JIS-C 1730) or Phosphor bronze per(QQ-B-750 or JIS-C5441B)	Gold plating
Insulator	PTFE	None
Crimp ferrule	Annealed copper	Same as body

Electrical:

Nominal impedance	50Ω
Frequency up to	6 GHz
VSWR	1.25 max.
Working voltage	125 Volts rms.
Dielectric withstanding voltage	500 Volts rms.
Insulation resistance	500 MΩmin.
Contact resistance	Center conductor 5.0 MΩ
	Outer conductor 2.5 MΩ

Mechanical & Environmental:

Mating	Snap on coupling
Cable retention	10 lbs typical
Engage force	≤ 20N
Disengage force	5 to 20 N
Durability	≥ 500 cycles
Temperature range	-65°C to +165°C
Vibration	Per Mil-STD-202 method 204 Test Condition D
Shock	Per Mil-STD-202 method 213 Test Condition I
Corrosion	Per Mil-STD-202 method 101 Test Condition B

MMCX Connector



P/N:10022009
MMCX(F) S/T Bulkhead Jack For RG-178



P/N:19021609
MMCX(F) S/T Bulkhead Jack For RG-178



P/N:20021809
MMCX(F) S/T Bulkhead Jack For RG-178



P/N:10020406
MMCX(F) S/T Jack For 1.13mm ~ 1.37mm



P/N:10022404
MMCX(F) R/A Jack For 1.13mm And P.C.B Mount



P/N:10020604
MMCX(M) S/T Plug For 1.13mm

MMCX Connector



P/N:10020314
MMCX(M) S/T Plug For LMR-100A/RD-316



P/N:10020113
MMCX(M) R/A Plug For RG-174/316



P/N:10023313
MMCX(M) S/T R/P Plug For RG-174/316



P/N:10020204
MMCX(M) R/A R/P Plug For 1.13mm



P/N:10020309
MMCX(M) S/T Plug For RG-178

MMCX Connector



P/N:10021034
MMCX(F) S/T Jack For P.C.B Mount



P/N:10022334
MMCX(M) R/A Plug For P.C.B. Mount



P/N:10021934
MMCX(F) R/A Jack For P.C.B Mount



P/N:10021334
MMCX(F) S/T Jack For P.C.B Mount



P/N:10020734
MMCX(M) S/T Plug For Edge Mount

MMCX Connector



P/N:10023034
MMCX(F) S/T Jack For SMT



P/N:10020834
MMCX(M) S/T Plug For SMT



P/N:10020934
MMCX(F) S/T Jack For SMT



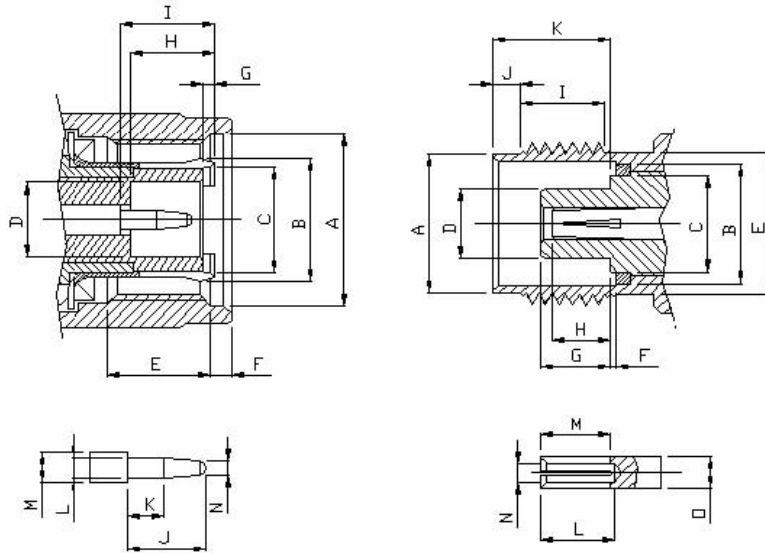
P/N:10023234
MMCX(F) S/T Jack Switch Edge Card Receptacle



P/N:10021534
MMCX(F) S/T Jack SMT Switch

Description

TNC connectors were developed for missile and aircraft application, also called the threaded version of the BNC, It's available in 50Ω and 70Ω types. TNC connectors can be used under higher environmental load than series BNC especially under vibration load.



Male				Female					
LTR	Millimeters / Inches				LTR.	Millimeters / Inches			
	Minimum		Maximum			Minimum		Maximum	
A	Φ11.18	Φ.440			A	Φ8.31	Φ.0327	Φ8.46	Φ.333
B	Φ7.39	Φ.312	Φ8.12	Φ.319	B	Φ8.10	Φ.319	Φ8.15	Φ.321
C	Φ6.95	Φ.273	Φ7.01	Φ.276	C	Φ6.95	Φ.273	Φ7.01	Φ.275
D	Φ4.88	Φ.192	Φ4.93	Φ.194	D	Φ4.67	Φ.184	Φ4.72	Φ.186
E	3.96	.156			E	Φ9.60	Φ.378	Φ9.68	Φ.381
F	1.60	.063			F	0.00	.000	0.15	.006
G	0.15	.006	0.30	.012	G	5.21	.205	5.28	.208
H	5.38	.212	5.54	.218	H	5.08	.200	5.28	.208
I	5.31	.209	5.38	.212	I	4.75	.187		
	4.62	.182	4.88	.192	J	1.73	.068	2.24	.088
K	1.40	.055	1.65	.065	K	8.36	.329	8.46	.333
L	Φ2.08	Φ.082	Φ2.13	Φ.085	L	5.21	.205		
M	Φ1.35	Φ.053	Φ1.37	Φ.054	M			4.75	.187
N	Φ0.33	Φ.013	Φ0.69	Φ.027	N	Φ1.52	Φ.060	Φ1.58	Φ.062
O					O	Φ2.16	Φ.085	Φ2.18	Φ.086

TNC Technical Data

Material / Finish:

	Material	Finish
Connector body	Brass per(QQ-B-626 or JIS-C3604B)	Nickel or gold plating
Center contact male	Brass per(QQ-B-626 or JIS-C3604B)	Gold plating
Center contact female	Beryllium copper per(QQ-C-530 or JIS-C 1730) or Phosphor bronze per(QQ-B-750 or JIS-C5441B)	Gold plating
Insulator	PTFE or P.P.	None
Crimp ferrule	Annealed copper	Same as body
Gasket	Silicone rubber	None

Electrical:

Nominal impedance	50Ω
Frequency up to	11 GHz
VSWR	1.25 max.
Working voltage	500 Volts rms.
Dielectric withstanding voltage	1500 Volts rms.
Insulation resistance	5000 MΩmin.
Contact resistance	Center conductor 4.0 MΩ
	Outer conductor 1.5 MΩ

Mechanical & Environmental:

Mating	7/16"-28 UNEF Thread coupling
Cable retention	40 lbs typical
Durability	≧ 500 cycles
Disengagement range	≧ 50 lbs
Temperature range	P.P. -45°C to +85°C, PTEF -65°C to +165°C
Vibration	Per Mil-STD-202 method 204 Test Condition D
Shock	Per Mil-STD-202 method 213 Test Condition I
Corrosion	Per Mil-STD-202 method 101 Test Condition B

TNC Connector



P/N:10080704
TNC(F) S/T Bulkhead Jack For 1.13mm



P/N:04081713
TNC(F) S/T Bulkhead Jack Front Mount For RG-174/316



P/N:10080513
TNC(F) S/T Jack For RG-174/316



P/N:10082413
TNC(F) S/T Jack For RG-174/316



P/N:10080125
TNC(M) S/T Plug For LMR-240



P/N:06080221
TNC(M) S/T Plug Clamp For RG-141/303/LMR-195

TNC Connector



P/N:06080316
TNC(M) R/A Plug For RG-142/RG-223/RG-400



P/N:06081513
TNC(M) S/T R/P Plug For RG-174/316



P/N:10082804
TNC(F) S/T R/P Bulkhead Jack For 1.13mm



P/N:10082604
TNC(F) S/T R/P Jack For 1.13mm



P/N:10081022
TNC(F) R/A R/P Bulkhead Jack For LMR-100A/RD-316



P/N:06081113
TNC(M) R/A R/P Plug For RG-174/316

TNC Connector



P/N:03081334

TNC(F) R/A Jack For P.C.B Mount



P/N:06082134

TNC(F) S/T Bulkhead Jack For Panel Mount

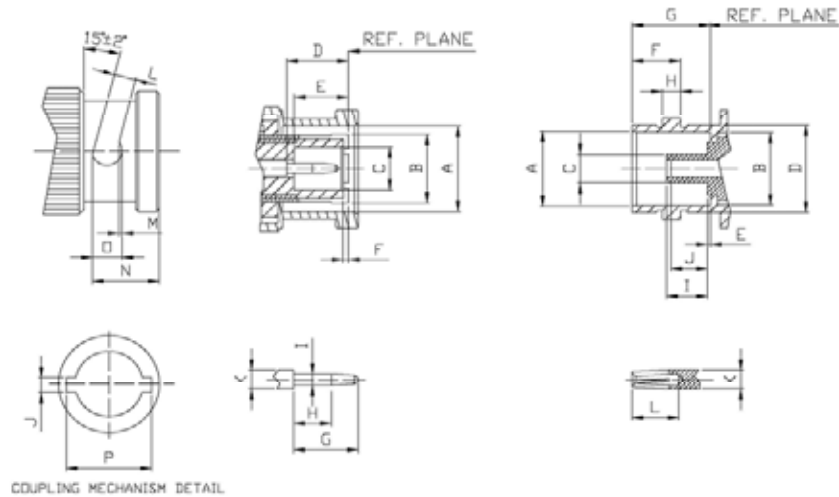


P/N:06081634

TNC(F) S/T Jack With Panel 4-Hole SQ. Flange For
Panel Mount

Description

BNC connectors are the RF connectors most frequently used in electronics and network worldwide. BNC connectors are applicable from DC up to 4 GHz with 50Ω and from DC up to 1 GHz with 75Ω characteristics impedance.



Male				Female					
LTR	Millimeters / Inches			LTR.	Millimeters / Inches				
	Minimum	Maximum			Minimum	Maximum			
A	Φ9.78	Φ.385	Φ9.91	Φ.390	A	Φ8.31	Φ.0327	Φ8.51	Φ.335
B	Φ7.92	Φ.312	Φ8.10	Φ.319	B	Φ8.10	Φ.319	Φ8.15	Φ.321
C	Φ4.83	Φ.192			C			Φ4.72	Φ.186
D	5.33	.209	5.84	.230	D	Φ9.60	Φ.378	Φ9.68	Φ.381
E	5.28	.208	5.79	.228	E			0.15	.006
F	.015	.006			F	5.18	.204	5.28	.208
G	4.32	.170	5.80	.228	G	8.31	.327	8.51	.335
H	1.98	.077			H	1.91	.075	2.0	.081
I	Φ1.32	Φ.052	Φ1.37	Φ.054	I	4.78	.188	5.28	.208
J	2.31	.091	4.88	.192	J	4.72	.186	5.23	.206
K	1.40	.055	2.46	.097	K	2.06	.081	2.21	.087
L	2.31	.091	2.46	.097	L	4.95	.194		
M	0.46	.018	0.56	.022	M				
N	4.57	.180	4.67	.184	N				
O	3.15	.124			O				
P	11.76	.463	12.01	.473	P				

Material / Finish:

	Material	Finish
Connector body	Brass per(QQ-B-626 or JIS-C3604B)	Nickel or gold plating
Center contact male	Brass per(QQ-B-626 or JIS-C3604B)	Gold plating
Center contact female	Beryllium copper per(QQ-C-530 or JIS-C 1730) or Phosphor bronze per(QQ-B-750 or JIS-C5441B)	Gold plating
Insulator	PTFE or P.P.	None
Crimp ferrule	Annealed copper	Same as body
Gasket	Silicone rubber	None

Electrical:

Nominal impedance	50Ω
Frequency up to	4GHz
VSWR	1.25 max.
Working voltage	500 Volts rms.
Dielectric withstanding voltage	1500 Volts rms.
Insulation resistance	5000 MΩmin.
Contact resistance	Center conductor 4.0 MΩ
	Outer conductor 1.5 MΩ

Mechanical & Environmental:

Mating	Bayonet Lock Coupling
Cable retention	6 kgf typical
Durability	≥ 500 cycles
Coupling nut retention	15 kgf min.
Temperature range	P.P. -45°C to +85°C, PTFE -65°C to +155°C
Vibration	Per MIL-STD-202 Method 204 Test Condition D
Corrosion	Per MIL-STD-202 Method 101 Test Condition B

BNC Connector



P/N:06060313
BNC(F) S/T Bulkhead Jack With O-Ring For RG-174/316



P/N:04061213
BNC(F) S/T Bulkhead Jack For RG-174/316



P/N:03060213
BNC(F) S/T Jack For RG-174/316



P/N:06060213
BNC(F) S/T Jack For RG-174/316



P/N:10060113
BNC(M) S/T Plug For RG-174/316



P/N:06061613
BNC(F) S/T R/P Bulkhead Jack With O-Ring
For RG-174/316

BNC Connector



P/N:06062721
BNC(M) R/A Plug For RG-141/303/LMR-195



P/N:06062221
BNC(M) R/A R/P Plug For RG-141/303/LMR-195

BNC Connector



P/N:06061934
BNC(F) S/T Jack For P.C.B Mount(75 Ohm)



P/N:06061834
BNC(F) S/T Jack For P.C.B Mount(75 Ohm)



P/N:06060634
BNC(F) R/A Jack For P.C.B Mount



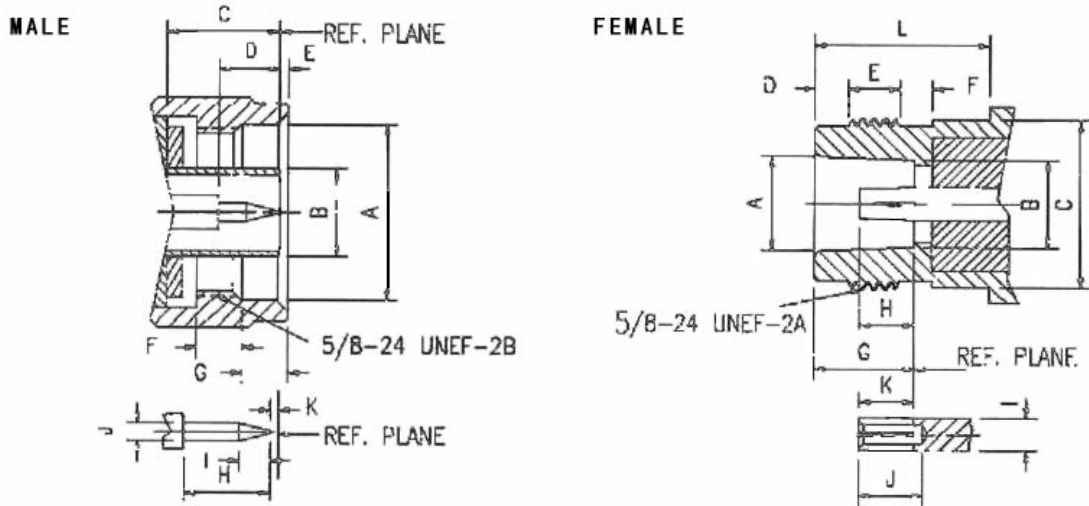
P/N:04061434
BNC(F) S/T Bulkhead Jack Receptacle

N

Description

N connectors are available with 50Ohm and 75Ohm impedance operating to 11GHz on semi-rigid cable. N connectors have variety of clamp and solder types.

Interface Mating Dimensions



Male			Female						
LTR	Millimeters / Inches		LTR.	Millimeters / Inches					
	Minimum	Maximum		Minimum	Maximum	Minimum	Maximum		
A	Φ16.0	Φ.630	A	Φ8.53	Φ.336	Φ8.74	Φ.344		
B		Φ8.38	Φ.330	B	Φ8.03	Φ.316	Φ8.13	Φ.320	
C	10.11	.398	10.46	.412	C		Φ15.93	Φ.627	
D	5.33	.210	5.84	.230	D	1.19	.047	1.96	.077
E	0.41	.016	1.52	.060	E	4.37	.172	5.13	.202
F	4.50 / .177 full thread min		F	1.19	.047	1.96	.077		
G	4.01	.158	4.27	.168	G	9.04	.356	9.19	.363
H	5.33	.210	H	4.75	.187	5.26	.207		
I	2.80	.110	3.56	.140	I	Φ3.00	Φ.118	Φ3.15	Φ.124
J	Φ160	Φ.063	Φ168	Φ.066	J	5.33	.210		
K	0.08	.003	K	4.75	.187	5.26	.207		
L			L	10.72	.422				

N Technical Data

Material / Finish:

	Material	Finish
Connector body	Brass per(QQ-B-626 or JIS-C3604B)	Nickel or Tril-alloy plating
Center contact male	Brass per(QQ-B-626 or JIS-C3604B)	Gold plating
Center contact female	Beryllium copper per(QQ-C-530 or JIS-C1730)	Gold plating
	Phosphor bronze per(QQ-B750 or JIS-C5441B)	
Insulator	PTFE	None
Crimp ferrule	Annealed copper	Same as body
Gasket	Silicone rubber	None

Electrical:

Nominal impedance	50Ω
Frequency up to	11GHz
VSWR	1.15+0.02fxGHz max.
Working voltage	500 Volts rms.
Dielectric withstanding voltage	2500 Volts rms.
Insulation resistance	5000 MΩmin.
Contact resistance	Center conductor 1.50 MΩ initial
	Outer conductor 1.50 MΩ initial

Mechanical & Environmental:

Mating	5/8"-24 UNEF thread coupling
Cable retention	10 kgf typical
Durability	≧ 500 cycles
Coupling nut retention	20 kgf min
Temperature range	-55°C to 155°C
Vibration	Per Mil-STD-202 method 204 Test Condition D
Corrosion	Per Mil-STD-202 method 101 Test Condition B

N Connector



P/N:10070521
N(F) S/T Jack For RG-141/303/LMR-195



P/N:10070717
N(F) S/T Bulkhead Jack For .141 Semi-Rigid/RG-402



P/N:10070719
N(F) S/T Jack For .085 Semi-Rigid/RG-405



P/N:10071219
N(F) S/T Jack For .085 Semi-Rigid/RG-405



P/N:00070626
N(F) S/T Jack Clamp For RG-213/LMR-400



P/N:06071113
N(F) S/T Jack Panel Clamp For RG-174/316

N Connector



P/N:07070705
N(F) S/T Bulkhead Jack With O-Ring For 1.32/1.37mm



P/N:07071219
N(F) S/T Jack With Panel 4-Hole SQ. Flange
For .085 Semi-Rigid/RG-405



P/N:07071406
N(F) S/T Bulkhead Jack Front Mount For 1.37mm



P/N:06070759
N(F) S/T Bulkhead Jack For LMR-600



P/N:13070513
N(F) S/T Jack For RG-174/316



P/N:10070159
N(M) S/T Plug For LMR-600

N Connector



P/N:06070159
N(M) S/T Plug For LMR-600



P/N:6070359
N(M) R/A Plug For LMR-600



P/N:10070109
N(M) S/T Plug For RG-178



P/N:00070226
N(M) S/T Plug Clamp For RG-213/LMR-400



P/N:78071921
N(M) S/T R/P Plug For RG-141/303/LMR-195



P/N:06070315
N(M) R/A Plug For RG-142/223/400

N Connector



P/N:06071834

N(F) S/T Bulkhead Jack For P.C.B Mount



P/N:06071234

N(F) S/T Jack Panel Receptacle

Description

FME connectors were originally developed for European wireless market, but have recently seen an increase in popularity globally.

Applications are in the GPS, mobile and WLAN sectors of the communications industry.

Electrical:

Impedance		50Ω
Frequency range		0-3 GHz
Working voltage		500 VRMS Max.
Dielectric withstanding voltage		1000 VRMS Min.
VSWR	Straight	1.30 Max.
	Right Angle	1.50 Max
Contact resistance	Center contact	10 Milliohms Max.
	Outer contact	5 Milliohms Max.
Insulator resistance		5000 Megohms min.

Material :

Parts name	Material	Finish
Body, Metal parts	Brass per QQ-B-626	Nickel 70 micro-inches
Center contact	Male: Brass per QQ-B-626	Gold 3 micro-inches
	Female: Phosphor Bronze per QQ-B-750	Gold 3 micro-inches
Insulators	Teflon, Delrin	None
Crimp ferrules	Annealed Brass	Nickel 70 micro-inches
Clamp Gaskets	Synthetic rubber	None

NOTE: Other Material/Finish is Available on Request

FME Connector



P/N:06100321
FME(F) S/T Jack For LMR-200



P/N:07100203
FME(M) S/T Bulkhead Plug For 0.81mm



P/N:06100113
FME(M) S/T Plug For RG-174/316



P/N:10100113
FME(M) S/T Plug For RG-174/316



P/N:07100503
FME(M) S/T Bulkhead Plug Front Mount
For 0.81mm



P/N:06100504
FME(M) S/T Bulkhead Plug For 1.13mm/1.32mm/1.48mm

FME Connector



P/N:06100104

FME(M) S/T Plug For 1.13/1.32mm



P/N:07100807

FME(M) S/T Bulkhead Plug With O-Ring For 1.48mm

FME Connector



P/N:06100934

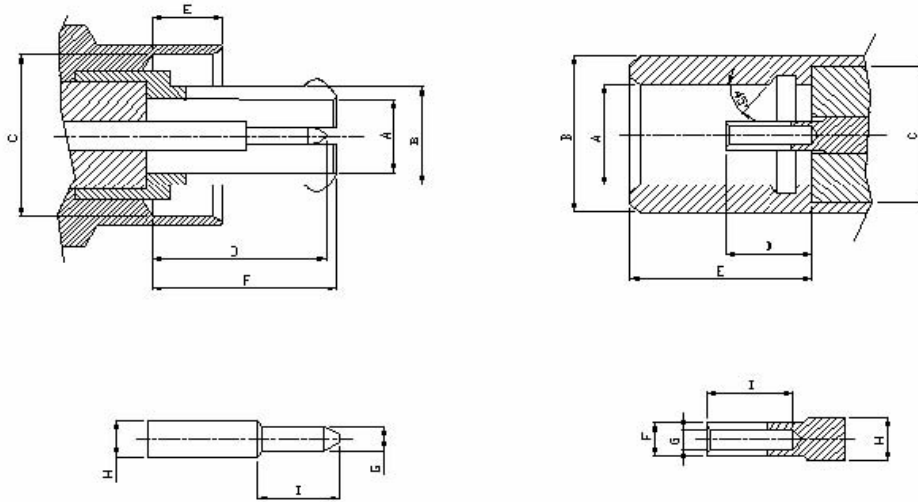
FME(M) R/A Plug For P.C.B Mount

MC CARD

Description

MC CARD connectors are suitable for DC up to 6 GHz, Applications include wireless Network communication and etc.... MC CARD is quick connection/disconnection snap-on mating.

Interface Mating Dimensions



Male					Female				
LTR	Millimeters / Inches				LTR.	Millimeters / Inches			
	Minimum		Maximum			Minimum		Maximum	
A	Φ1.35	Φ.053	Φ1.45	Φ.057	A	Φ1.90	Φ.075	Φ2.00	Φ.079
B	Φ1.80	Φ.071	Φ1.90	Φ.075	B	Φ2.90	Φ.144	Φ2.96	Φ.116
C	Φ2.97	Φ.117	Φ3.00	Φ.118	C	Φ2.90	Φ.144	Φ2.96	Φ.116
D	3.15	.124	3.25	.128	D	1.50	.059	1.70	.067
E	1.25	.049	1.35	.053	E	3.20	.126	3.40	.134
F	3.35	.132	3.45	.136	F	Φ0.58	Φ.023	Φ0.62	Φ.024
G	Φ0.33	Φ.013	Φ0.37	Φ.041	G	Φ0.33	Φ.013	Φ0.43	Φ.017
H	Φ0.58	Φ.023	Φ0.62	Φ.024	H	Φ0.70	Φ.027	Φ0.80	Φ.031
I	1.40	.055	1.50	.059	I	3.20	.126	3.40	.134
J					J				
K					K				
L					L				

MC CARD Technical Data

Material / Finish:

	Material	Finish
Connector body	Brass per(QQ-B-626 or JIS-C3604B)	Nickel or gold plating
Center contact male	Brass per(QQ-B-626 or JIS-C3604B)	Gold plating
Center contact female	Beryllium copper per(QQ-C-530 or JIS-C 1730)	Gold plating
Insulator	PTFE	None
Crimp ferrule	Annealed copper	Same as body

Electrical:

Nominal impedance	50Ω
Frequency up to	6.0 GHz
VSWR	1.40 max. at 2.5 GHz
Working voltage	100 Volts rms.
Dielectric withstanding voltage	250 Volts rms.
Insulation resistance	500 MΩmin.
Contact resistance	Center conductor 5.0 MΩ initial
	Outer conductor 3.0 MΩ initial

Mechanical & Environmental:

Mating	Snap on coupling
Durability	≥ 500 cycles
Engagement force	20 N max.
Disengagement force	5 N min.
Temperature range	-25°C to +125°C
Vibration	Per Mil-STD-202 method 204 Test Condition D
Shock	Per Mil-STD-202 method 213 Test Condition I
Corrosion	Per Mil-STD-202 method 101 Test Condition B

MC CARD Connector



P/N:10130113
MC CARD(M) S/T Plug For RG-174/316



P/N:10130713
MC CARD(M) S/T Plug For RG-174/316



P/N:10130204
MC CARD(M) R/A Plug For 1.13mm



P/N:10131109
MC CARD(F) R/A Jack For RG-178



P/N:10131009
MC CARD(F) S/T Jack For RG-178

MC CARD Connector



P/N:10131234

MC CARD(M) S/T Plug For P.C.B Mount



P/N:10130334

MC CARD(F) S/T Jack For Switch Edge Card Receptacle



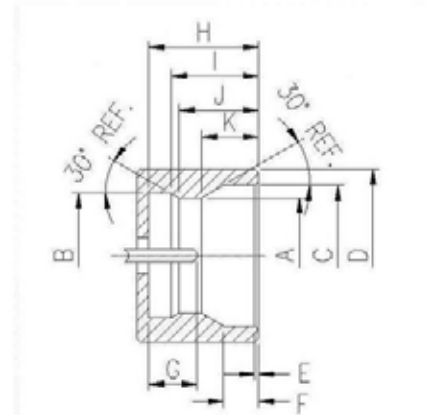
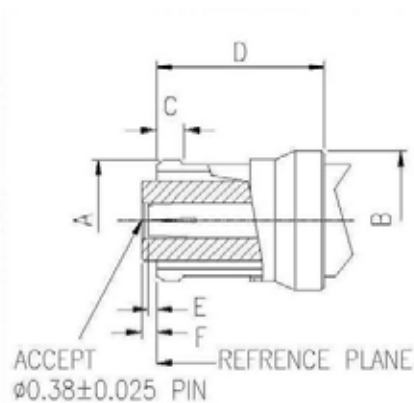
P/N:10130934

MC CARD(F) S/T Jack For Switch Edge Card Receptacle

Description

SMP connectors is designed for high density mounting packaging. The low profile design of SMP connectors permits module mounting with a center- to -center dimension as low as possible. Aliner SMP series provides 3 levels of retention by the male cont.

Interface Mating Dimensions



Male				Female					
LTR	Millimeters / Inches			LTR.	Millimeters / Inches				
	Minimum	Maximum			Minimum	Maximum			
A		$\Phi 3.43$	$\Phi .135$	A	$\Phi 2.90$	$\Phi .114$	$\Phi 3.00$ $\Phi .118$		
B		$\Phi 3.70$	$\Phi .145$	B	$\Phi 3.15$	$\Phi .124$	$\Phi 3.23$ $\Phi .127$		
C	0.64	.025	0.89	.035	C	$\Phi 3.55$	$\Phi .140$	$\Phi 3.65$ $\Phi .144$	
D	3.40	.132			D	$\Phi 3.76$	$\Phi .148$	$\Phi 3.86$ $\Phi .152$	
E	-0.12	- .005	0.00	0.00	E	0.08	.003	0.18	.007
F	-0.12	- .005	0.00	0.00	F	0.84	.033	0.94	.037
G					G	0.89	.035	1.78	.070
H					H	2.75	.108	2.85	.112
I					I	2.18	.086	2.28	.090
J					J	1.98	.078	2.08	.082
K					K	1.40	.055	1.45	.057
L					L				

Note: DIM. B FULL DETENT

SMP Technical Data

Material / Finish:

	Material	Finish
Connector body	Brass per(QQ-B-626 or JIS-C3604B)	Gold plating
	Beryllium copper per (QQ-C-530 or JIS-C1730)	
Center contact male	Brass per(QQ-B-626 or JIS-C3604B)	Gold plating
Center contact female	Beryllium copper per(QQ-C-530 or JIS-C 1730)	Gold plating
Insulator	PTFE pre ASTM D1710 and ASTM D1457 or none	None
Shroud non-hermetic	Stainless steel(SUS-303)	Passivated

Electrical:

Nominal impedance	50Ω
Frequency up to	12 GHz
VSWR	1.25 @ 6.0 GHz
	1.50 @ 12.0 GHz
Working voltage	250 Volts rms.
Dielectric withstanding voltage	500 Volts rms.
Insulation resistance	5000 MΩmin.
Contact resistance	Center conductor 6.0 mΩ
	Outer conductor 1.5mΩ

Mechanical & Environmental:

Mating	Snap on coupling
Engage force	15 1bs full detent
	10 1bs limited detent
	2.5 1bs smooth bore
Disengage force	7 1bs full detent
	3 1bs limited detent
	0.5 1bs smooth bore
Durability	≧ 250 cycles limited detent typical.
Temperature range	-55°C to +155°C
Vibration	Per MIL-STD-202 Method 204 Test Condition D
Corrosion	Per MIL-STD-202 Method 101 Test Condition B

SMP Connector



P/N:04250113
SMP(M Contact) S/T Jack For RG-174/316



P/N:04250513
SMP(M Contact) R/A Jack For RG-174/316



P/N:10250219
SMP(F Contact) S/T Plug For .085 Semi-Rigid,
RG-405



P/N:04250613
SMP(F Contact) R/A Plug For RG-174/316



P/N:10250606
SMP(F Contact) R/A Plug For 1.37mm

SMP Connector



P/N:04250434
SMP(M Contact) S/T Jack For P.C.B Mount



P/N:04250334
SMP(F Contact) S/T Plug For P.C.B Mount



P/N:10250834
SMP(M Contact) S/T Jack For SMT



P/N:10250734
SMP(M Contact) S/T Jack For SMT

F

Description

F series are economically priced connectors specially designed for using with NTSC TV ANTENNA, MATV, and satellite communication applications.

Countries using the NTSC system include: The Bahama Islands, Canada, America, Japan, Korea, Mexico, Taiwan, the Philippines, and the U.S.A.

Electrical:

Impedance		75Ohm
Frequency range		0-2 GHz
Working voltage		250 VRMS Max.
Dielectric withstanding voltage		500 VRMS Min.
VSWR		1.35 Max.
Contact resistance	Center contact	5 Milliohms Max.
	Outer contact	2 Milliohms Max.
Insulator resistance		1000 Megohms min.

Material:

Parts name	Material	Finish
Body, Metal parts	Brass per QQ-B-626	Nickel 70 micro-inches
Center contact	Male: Brass per QQ-B-626	Gold 3 micro-inches
	Female: Phosphor Bronze per QQ-B-750	Gold 3 micro-inches
Insulators	Teflon, Delrin	None
Crimp ferrules	Annealed Brass	Nickel 70 micro-inches
Clamp Gaskets	Synthetic rubber	None

NOTE: Other Material/Finish is Available on Request

F Connector



P/N:06200310
F(F) S/T Bulkhead Jack For RG-179(75 Ohm)



P/N:24200310
F(F) S/T Jack For RG-179(75 Ohm)



P/N:06200113
F(M) S/T Plug For RG-174/316



P/N:03201010
F(M) S/T Plug For RG-179(75 Ohm)

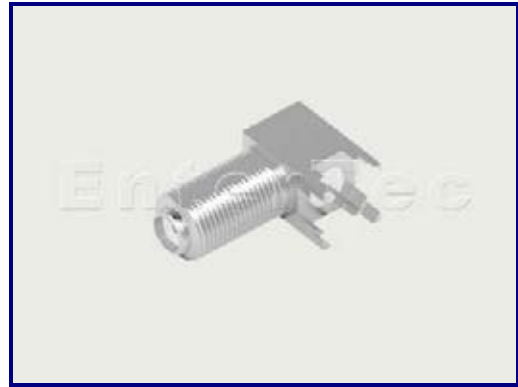


P/N:06200211
F(M) R/A Plug For RG-179(75 Ohm)

F Connector



P/N:06200834
F(F) S/T Bulkhead Jack For P.C.B Mount(75 Ohm)



P/N:06200734
F(F) R/A Jack For P.C.B Mount(75 Ohm)



P/N:06200634
F(F) S/T Bulkhead Jack Receptacle(75 Ohm)



P/N:06200534
F(F) S/T Bulkhead Jack Receptacle(75 Ohm)

Description

IEC/PAL connectors are developed for use on Phase Alternate Line TV antenna receiving equipment.

Countries using the PAL system include: Australia, Austria, Belgium, China, Denmark, Finland, Germany, Great Britain, Hong Kong, Kuwait, Netherlands, Norway, Portugal, Singapore, Spain, Sweden, Switzerland and Thailand.

Electrical

Nominal impedance		75Ω
Frequency Range		0-1 GHz
Working voltage		500 VRMS max.
Dielectric withstanding voltage		1500 VRMS min.
VSWR	Straight	Not defined
	Right angle	
Contact resistance	Center contact	5 Milliohms max.
	Outer contact	2 Milliohms min.
Insulator resistance		5000 Megohms min.

Material / Finish:

Parts name	Material	Finish
Body, Metal Parts	Brass per QQ-B-626	Nickel 70 micro-inches
Center contact	Male: Brass per QQ-B-626	Nickel 70 micro-inches
	Female: Brass per QQ-B-626	Nickel 70 micro-inches
Insulator	Delrin	None
Crimp ferrule	Annealed copper	Nickel 70 micro-inches

NOTE: Other Material / Finish is Available on Request

IEC/PAL Connector



P/N:06240234
IEC/PAL(F) S/T Bulkhead Jack Receptacle(75 Ohm)



P/N:06240534
IEC/PAL(F) S/T Bulkhead Jack Receptacle(75 Ohm)



P/N:06240734
IEC/PAL(F) S/T Bulkhead Jack Receptacle(75 Ohm)



P/N:06240334
IEC/PAL(M) S/T Bulkhead Plug Receptacle(75 Ohm)



P/N:06240634
IEC/PAL(M) S/T Bulkhead Plug Receptacle(75 Ohm)



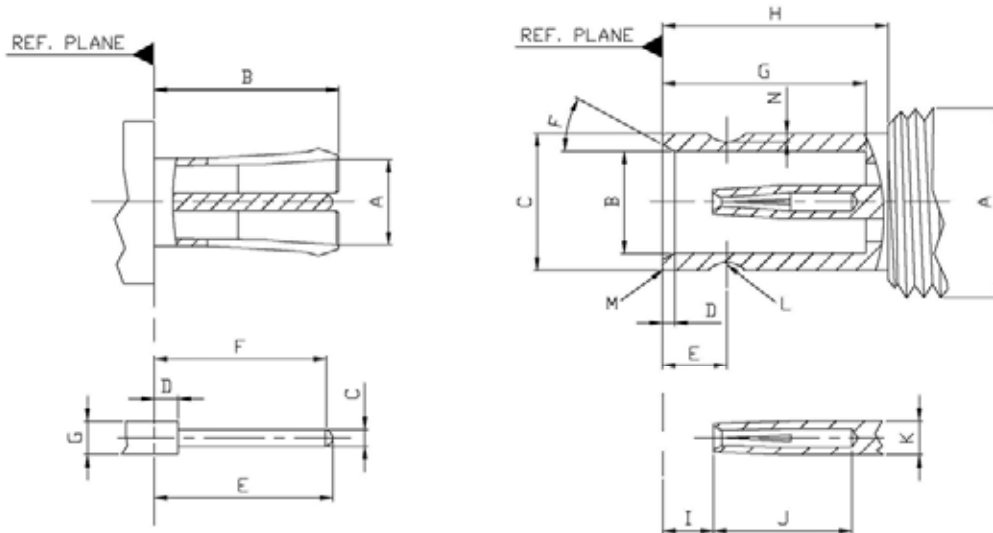
P/N:06240834
IEC/PAL(M) S/T Bulkhead Plug Receptacle(75 Ohm)

1.0/2.3

Description

1.0/2.3 series is a compact design which provides a push-pull coupling system allowing quick installation; they are ideally suited to applications where space is limited. 1.0/2.3 coaxial connectors are 50ohm units operating from 0-6 GHz

Interface Mating Dimensions



Male				Female					
LTR.	Millimeters / Inches			LTR.	Millimeters / Inches				
	Minimum		Maximum		Minimum		Maximum		
A	Φ2.30	Φ.091	nominal	A	M5.5*0.5				
B	5.40	.213	5.70	.224	B	Φ3.00	Φ.118	Φ3.06	Φ.120
C	Φ0.47	Φ.018	Φ0.52	Φ.020	C	Φ4.03	Φ.159	Φ4.14	Φ.163
D			1.15	.045	D	0.50	.020	0.60	.024
E			5.50	.217	E	1.80	.071	1.90	.075
F	4.50	.177			F	30° ± 2°			
G	Φ1.00	Φ.039	nominal		G	5.80	.228	5.90	.232
H					H	6.40	.252	6.50	.256
I					I	1.15	.045	1.75	.069
J					J	4.50	.177		
K					K	Φ1.00	Φ.039	nominal	
L					L	R0.75	R .030	R0.85	R .033
					M			R0.30	R .011
					N	Φ3.53	Φ.139	Φ3.60	Φ.142

1.0/2.3 Technical Data

Material / Finish:

	Material	Finish
Connector body	Brass per(QQ-B-626 or JIS-C3604B)	Nickel or Gold plating
Center contact male	Brass per(QQ-B-626 or JIS-C3604B)	Gold plating
Center contact female	Beryllium copper per(QQ-C-530 or JIS-C 1730)	Gold plating
	Phosphor bronze pre(QQ-B-750 or JIS-C5441B)	
Insulator	PTFE	None

Electrical:

Nominal impedance	50Ω
Frequency up to	6.0 GHz
VSWR	1.35 Max.
Working voltage	250 Volts rms Max.
Dielectric withstanding voltage	500 Volts rms Min.
Insulation resistance	1000 MΩ min.
Contact resistance	Center conductor 4.0 mΩ initial
	Outer conductor 2.0 mΩ initial

Mechanical & Environmental:

Mating	Snap on coupling
Cable retention	2.3 Kgf typical
Durability	≧ 500 cycles
Engagement force	2.75 Kgf Max.
Disengagement force	0.4 Kgf Min
Temperature range	-55°C to +155°C
Vibration	Per MIL-STD-202 Method 204 Test Condition D
Corrosion	Per MIL-STD-202 Method 101 Test Condition B

1.0/2.3 Connector



P/N:11040448
1.0/2.3(F) R/A Bulkhead Jack Receptacle For ST212



P/N:06040110
1.0/2.3(M) S/T Plug For RG-179(75 Ohm)

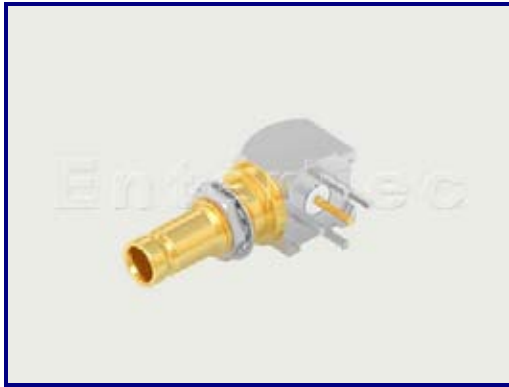


P/N:11040110
1.0/2.3(M) S/T Plug For RG-179(75 Ohm)



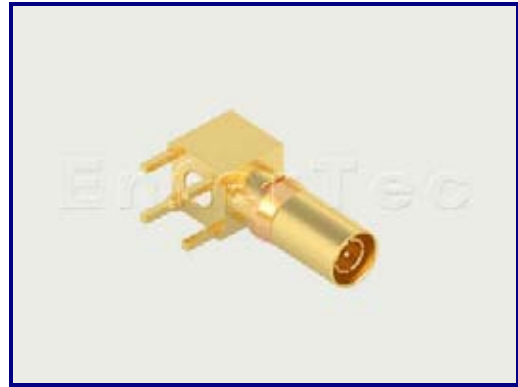
P/N:11040348
1.0/2.3(M) R/A Plug Push-Lock Type For ST212(75 Ohm)

1.0/2.3 Connector



P/N:10040634

1.0/2.3(F) R/A Jack For P.C.B Mount



P/N:10040534

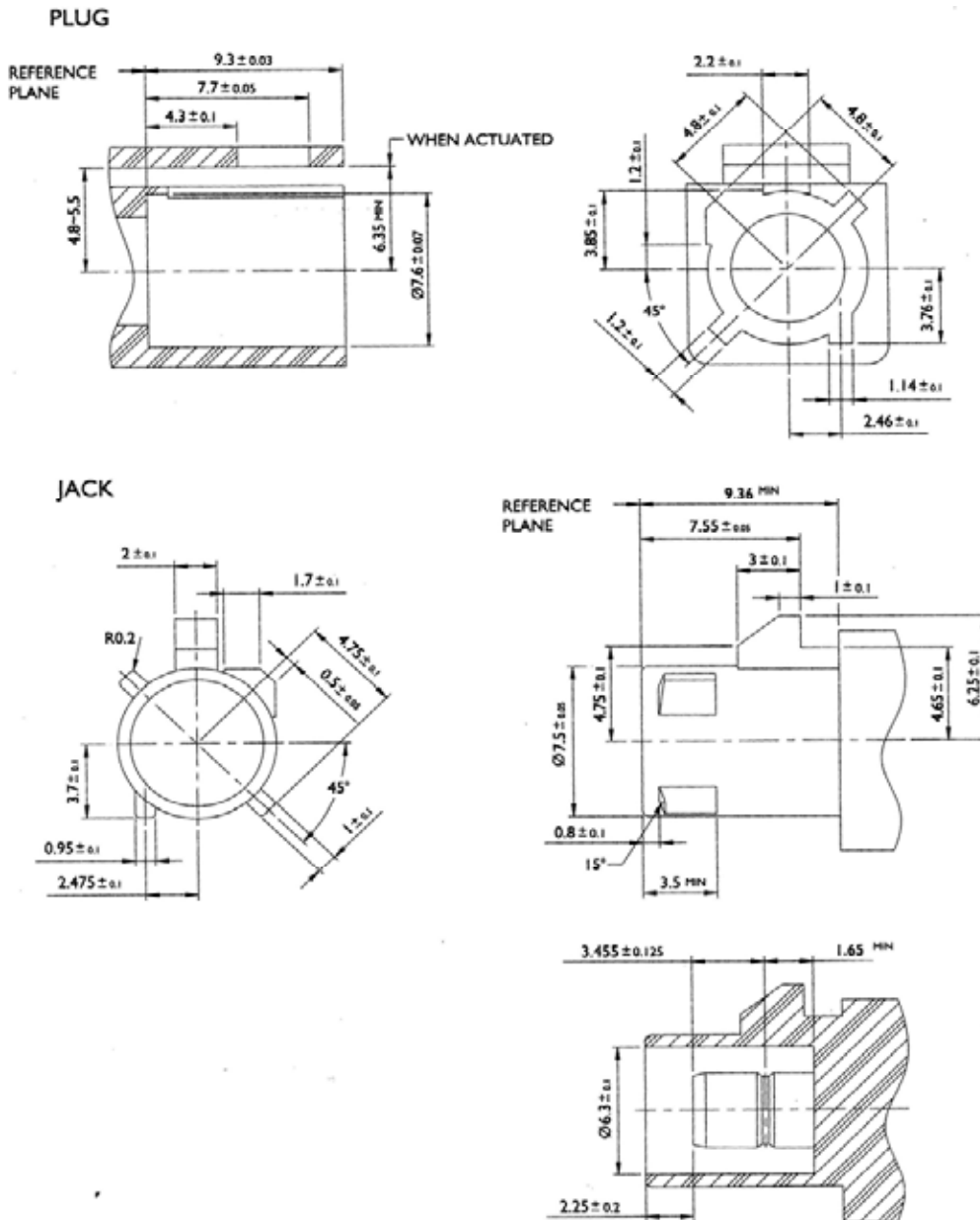
1.0/2.3(F) R/A Jack For P.C.B Mount

Description

To cope with growth demands in telematics and multimedia applications for modern automobile, Automotive Industries created a high-performing, cost-effective RF connector based on the FAKRA and USCAR standards. Based on SMB interface, FAKRA connectors include a plastic housing and are designed with multiple colored codes for easy identification.

FAKRA connectors are designed to operate up to 4GHz and for applications of particular mechanical and environmental requirements of the automobile industry such as Digital Satellite Radio(SDARS),GSM,GPS.

Interface Mating Dimensions



Material / Finish:

Parts name	Material	Finish
Plastic housing	PA66 W / 15% Glass Fiber	See Coding Color
Body, Metal parts	Brass per QQ-B-626	Nickel 70 micro-inches
Center contact	Male: Brass per QQ-B-626	Gold 3 micro-inches
	Female: Beryllium copper per QQ-C-530	Gold 3 micro-inches
Insulators	Teflon	None
Crimp ferrules	Annealed Brass	Nickel 70 micro-inches

Electrical:

Impedance	50Ohm	
Frequency range	0 - 4GHz	
Working voltage	RG-178; 250 VRMS max.	
	RG-316, .085"; 335 VRMS max.	
Dielectric withstanding voltage	RG-178; 750 VRMS min.	
	RG-316, .085" ; 1000 VRMS min.	
VSWR	Straight	1.30 Max.
	Right Angle	1.50 Max
Contact resistance	Center contact	20 Milliohms Max.
	Outer contact	10 Milliohms Max.
Insulator resistance	1000 Megohms min.	

Mechanical & Environmental:

Engagement force	25N.max.
Disengagement	2N.min.
Contact Retention	4 lbs.min.
Durability(Mating)	25 cycles min
Temperature Range	-40°C to 105°C
Vibration	MIL-STD-202 Method 204 Test Cond.B.
Salt Spray	MIL-STD-202 Method 101 Test Cond.B.
Thermal Shock	MIL-STD-202 Method 107 Test Cond.B.

NOTE: Other Material/Finish is Available on Request

FAKRA Connector



P/N:10210109
FAKRA SMB(F Contact) S/T Plug
For RG-178 Code A



P/N:18210121
FAKRA SMB(F Contact) S/T Plug
For RG-141/303/LMR-195 Code A



P/N:10210141
FAKRA SMB(F Contact) S/T Plug
For RG-59(75 Ohm) Code A



P/N:10210113
FAKRA SMB(F Contact) S/T Plug
For RG-174/316 Code A

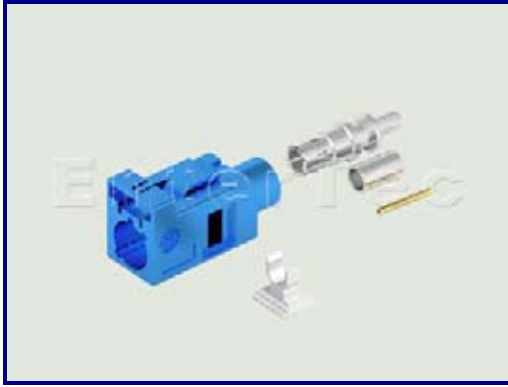


P/N:06212013
FAKRA SMB(M Contact) S/T Jack
For RG-174/316 Code B



P/N:18211913
FAKRA SMB(F Contact) S/T Plug
For RG-174/316 Code B

FAKRA Connector



P/N:10210313
FAKRA SMB(F Contact) S/T Plug
For RG-174/316 Code C



P/N:10210309
FAKRA SMB(F Contact) S/T Plug
For RG-178 Code C



P/N:10210509
FAKRA SMB(F Contact) S/T Plug
For RG-178 Code D



P/N:10210513
FAKRA SMB(F Contact) S/T Plug
For RG-174/316 Code D

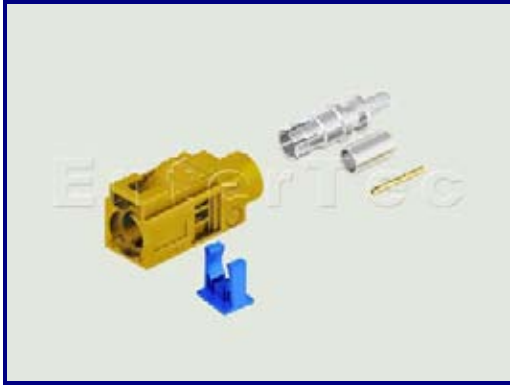


P/N:18212313
FAKRA SMB(F Contact) S/T Plug
For RG-174/316 Code E



P/N:18212513
FAKRA SMB(F Contact) S/T Plug
For RG-174/316 Code F

FAKRA Connector



P/N:18210713

FAKRA SMB(F Contact) S/T Plug

For RG-174/316 Code K

FAKRA Connector



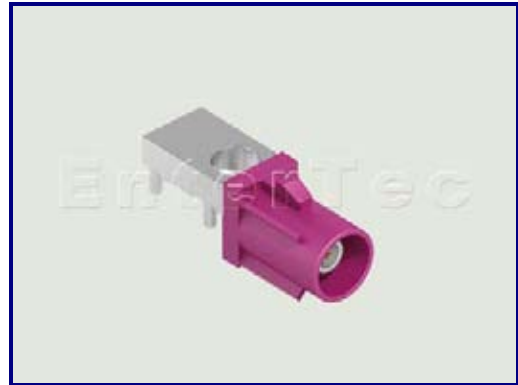
P/N:06212734
FAKRA SMB(M Contact) R/A Jack
For P.C.B Mount Code A



P/N:06212834
FAKRA SMB(M Contact) R/A Jack
For P.C.B Mount Code B



P/N:06212934
FAKRA SMB(M Contact) R/A Jack
For P.C.B Mount Code C



P/N:06213034
FAKRA SMB(M Contact) R/A Jack
For P.C.B Mount Code D



P/N:06213134
FAKRA SMB(M Contact) R/A Jack
For P.C.B Mount Code E



P/N:06213234
FAKRA SMB(M Contact) R/A Jack
For P.C.B Mount Code F

FAKRA Connector



P/N:06213634

FAKRA SMB(M Contact) R/A Jack

For P.C.B Mount Code K

Adaptor



P/N:10232635
SMA(F) S/T Jack To SMA(F) S/T Jack Adaptor



P/N:05231435
SMA(F) S/T Jack To SMA(F) S/T Jack Adaptor



P/N:10234335
SMA(F) S/T Jack To SMA(F) S/T R/P Jack Adaptor



P/N:05234935
SMA(F) S/T Jack To SMA(M) S/T Plug Adaptor



P/N:10234435
SMA(F) S/T Jack To SMA(M) S/T Plug Quick Lock Adaptor



P/N:10231835
SMA(F) S/T Jack To SMA(M) S/T R/P Plug Adaptor

Adaptor



P/N:10234235
SMA(F) S/T Jack To MMCX(F) S/T Jack Adaptor



P/N:10232235
SMA(F) S/T Jack To MMCX(M) S/T Plug Adaptor



P/N:07230235
SMA(M) R/A Plug To SMA(F) R/A Jack Adaptor



P/N:07230335
SMA(M) R/A R/P Plug To SMA(F) R/A R/P Jack Adaptor



P/N:05232835
SMA(M) S/T Plug To SMA(M) S/T Plug Adaptor



P/N:06234435
SMA(M) S/T Plug To TNC(F) S/T Jack Adaptor

Adaptor



P/N:07233335

SMA(M) S/T R/P Plug To N(M) S/T Plug Adaptor

Adaptor



P/N:06231635
BNC(F) S/T Jack To BNC(F) S/T Jack Adaptor



P/N:06234835
BNC(F) S/T Jack To N(M) S/T Plug Adaptor



P/N:00230635
BNC(M) S/T Plug To F(F) S/T Jack Adaptor(75 Ohm)



P/N:06230835
BNC(M) S/T Plug To F(M) S/T Plug Adaptor(75 Ohm)



P/N:06231535
BNC(F) Jack To BNC(M) Plug To BNC(F) Jack
T-Angle Adaptor(75 Ohm)



P/N:06234735
BNC(M) S/T Plug To N(F) S/T Jack Adaptor

Adaptor



P/N:03230535

BNC(M) S/T Plug To RCA(F) S/T Jack Adaptor

Adaptor



P/N:06232035
N(F) Jack To N(M) Plug To N(F) Jack T-Angle Adaptor



P/N:00233735
N(F) S/T Jack To SMA(F) S/T Jack Adaptor



P/N:06232135
N(F) S/T Jack To N(F) S/T Jack Adaptor



P/N:07233235
N(F) S/T Jack To SMA(F) S/T R/P Jack Adaptor



P/N:00232135
N(F) S/T Bulkhead Jack To N(F) S/T Bulkhead
Jack Adaptor



P/N:07232335
N(M) R/A Plug To N(F) R/A Jack Adaptor

Adaptor



P/N:06231735
N(M) S/T Plug To N(M) S/T Plug Adaptor



P/N:00233035
N(M) S/T Plug To SMA(F) S/T Jack Adaptor



P/N:00234035
N(F) S/T Jack To SMA(M) S/T Plug Adaptor



P/N:00234135
N(M) S/T Plug To SMA(M) S/T Plug Adaptor



P/N:07231935
N(M) S/T Plug To N(F) S/T Jack 4-Hole Panel
Mount Adaptor



P/N:06235235
N(M) S/T Plug To TNC(M) S/T Plug Adaptor(75 Ohm)

Adaptor



P/N:00233535

N(M) S/T Plug To SMA(M) S/T R/P Plug Adaptor



P/N:00233635

N(M) S/T Plug To TNC(M) S/T R/P Plug Adaptor

Adaptor



P/N:07230135

TNC(M) S/T R/P Plug To SMA(F) S/T R/P Jack Adaptor



P/N:06230935

TNC(F) S/T Jack To TNC(F) S/T Jack Adaptor

Adaptor



P/N:00233835

F(M) S/T Plug To BNC(F) S/T Jack Adaptor



P/N:06235135

FME(M) R/A Plug To TNC(M) R/A Plug Adaptor



P/N:10234635

MMBX(M) S/T Plug To MMBX(M) S/T Plug Adaptor



P/N:03230435

RCA(M) S/T Plug To F(F) S/T Jack Adaptor(75 Ohm)

RF Cable Assembly



P/N:20090112-01
Con1: Murata MXTK92
Cable: 0.81mm
Con2: Murata MXTK92



P/N:20081208-09
Con1: FME(M) S/T Bulkhead Plug
Cable: 0.81mm
Con2:U.FL(2.0H)



P/N:20060905-02
Con1: IPEX (1.5H)
Cable: 0.81mm
Con2: Murata MXTK92



P/N:20080813-02
Con1: SMA(F) R/A Jack And P.C.B Mount
Cable: 0.81mm
Con2: Murata MXTK92



P/N:20071115-01
Con1: Murata MXTK 92
Cable: 0.81mm
Con2: Strip & Tin



P/N:20070412-03
Con1: SMA(F) S/T Bulkhead Jack With O-Ring
Cable: 0.81mm
Con2: IPEX (1.5H)

RF Cable Assembly



P/N:20050414-01
Con1: SMA(F) S/T Bulkhead Jack
Cable: 0.81mm
Con2: MMCX(F) S/T Jack



P/N:20070702-01
Con1: FME(M) S/T Bulkhead Plug
Cable: 0.81mm
Con2: MMCX(M) R/A Plug



P/N:20050726-01
Con1: SMA(F) S/T Bulkhead Jack
Cable: 0.81mm
Con2: MMCX(M) R/A Plug



P/N:20060529-07
Con1: SMA(F) S/T Bulkhead Jack With O-Ring
Cable: 0.81mm
Con2: MMCX(M) R/A Plug



P/N:20080315-02
Con1: SMA(F) S/T Bulkhead Jack With O-Ring
Cable: 0.81mm
Con2: IPEX (2.5H)



P/N:20070801-01
Con1: FME(M) Bulkhead Plug
Cable: 0.81mm
Con2: Murata MXTK 92

RF Cable Assembly



P/N:20080227-01
Con1: SMA(F) S/T Bulkhead Jack With O-Ring
Cable: 0.81mm
Con2: Murata MXTK 92



P/N:20071115-03
Con1: SMA(F) S/T Bulkhead Jack
Cable: 0.81mm
Con2: Murata MXTK 92



P/N:20080226-01
Con1: SMA(F) S/T Bulkhead Jack
Cable: 0.81mm
Con2: IPEX (2.5H)



P/N:20060105-04
Con1: SMA(M) R/A Plug
Cable: 0.81mm
Con2: Murata MXTK 92



P/N:20070616-02
Con1: TNC(F) S/T Bulkhead Jack
Cable: 0.81mm
Con2: Murata MXTK 92



P/N:20061102-05
Con1: SMA(F) S/T Bulkhead Jack
Cable: 0.81mm
Con2: U.FL (2.0H)

RF Cable Assembly



P/N:20071031-02
Con1: SMA(F) S/T Bulkhead Jack With O-Ring
Cable: 0.81mm
Con2: Murata MXTK 92



P/N:20080201-01
Con1: SMA(F) S/T Bulkhead Jack
Cable: 0.81mm
Con2: Murata MXTK 92



P/N:20080505-02
Con1: SMA(F) S/T Bulkhead Jack
Cable: 0.81mm
Con2: IPEX (2.0H)



P/N:20071002-04
Con1: U.FL(2.0H)
Cable: 0.81mm
Con2: Strip & Tin



P/N:20080130-02
Con1: MCX(F) S/T Bulkhead Jack
Cable: 0.81mm
Con2: IPEX (2.5H)



P/N:20080402-03
Con1: Murata MXTK 92
Cable: 0.81mm
Con2: Strip & Tin

RF Cable Assembly



P/N:20060407-01
Con1: Strip & Tin
Cable: 1.13mm
Con2: Strip & Tin



P/N:20080523-02
Con1: IPEX (2.5H)
Cable: 1.13mm
Con2: End Cut



P/N:20060120-03
Con1: TNC(F) S/T Bulkhead Jack
Cable: 1.13mm
Con2: IPEX (2.5H)



P/N:20080125-01
Con1: IPEX (2.5H)
Cable: 1.13mm
Con2: MMCX(M) S/T Plug



P/N:20080402-01
Con1: MCX(M) S/T Plug
Cable: 1.13mm
Con2: MMCX(M) S/T Plug



P/N:20080402-02
Con1: SMA(F) S/T R/P Bulkhead Jack
Cable: 1.13mm
Con2: MCX(M) S/T Plug

RF Cable Assembly



P/N:20080422-02
Con1: SMA(F) S/T Bulkhead Jack R/P+Connector Cap
Cable: 1.13mm
Con2: U.FL (2.5H)



P/N:20070528-02
Con1: SMA(F) S/T Bulkhead Jack With O-Ring
Cable: 1.13mm
Con2: IPEX (2.5H)



P/N:20060609-02
Con1: SMA(F) S/T Bulkhead Jack With O-Ring
Cable: 1.13mm
Con2: MMCX(M) R/A Plug



P/N:20080222-01
Con1: SMA(F) S/T Bulkhead Jack
Cable: 1.13mm
Con2: Strip & Tin



P/N:20070820-05
Con1: SMA(M) S/T Plug
Cable: 1.13mm
Con2: MCX(M) S/T Plug



P/N:20070816-01
Con1: SMA(M) S/T R/P Plug
Cable: 1.13mm
Con2: SMA(F) S/T R/P Bulkhead Jack

RF Cable Assembly



P/N:20070203-02
Con1: SMA(M) S/T R/P Plug
Cable: 1.13mm
Con2: MMCX(M) S/T Plug



P/N:20061123-01
Con1: SMA(M) S/T Plug
Cable: 1.13mm
Con2: MMCX(M) S/T Plug



P/N:20080403-03
Con1: SMB(M Contact) S/T Bulkhead Jack
Cable: 1.13mm
Con2: IPEX (2.5H)



P/N:20060322-02
Con1: TNC(F) S/T Bulkhead Jack
Cable: 1.13mm
Con2: IPEX (2.5H)



P/N:20060322-03
Con1: SMA(M) R/A Plug
Cable: 1.13mm
Con2: IPEX (2.5H)



P/N:20070710-01
Con1: SMA(M) S/T Plug
Cable: 1.13mm
Con2: IPEX (2.5H)

RF Cable Assembly



P/N:20080315-04
Con1: SMA(F) S/T Bulkhead Jack
Cable: 1.13mm
Con2: IPEX (2.5H)



P/N:20070814-01
Con1: SMA(F) S/T Bulkhead Jack With O-Ring
Cable: 1.13mm
Con2: U.FL (2.5H)



P/N:20080103-01
Con1: SMA(F) S/T Bulkhead Jack
Cable: 1.13mm
Con2: U.FL (2.5H)



P/N:20071121-03
Con1: SMA(F) S/T Bulkhead Jack
Cable: 1.13mm
Con2: IPEX (2.5H)



P/N:20060628-02
Con1: SMA(F) S/T R/P Bulkhead Jack
Cable: 1.13mm
Con2: IPEX (2.5H)



P/N:20080527-03
Con1: SMA(F) S/T Bulkhead Jack
Cable: 1.13mm
Con2: MMCX(M) R/A Plug

RF Cable Assembly



P/N:20070203-03
Con1: SMA(M) S/T R/P Plug
Cable: 1.13mm
Con2: IPEX (2.5H)



P/N:20080512-02
Con1: MCX(F) R/A Jack For 1.13mm And P.C.B Mount
Cable: 1.13mm
Con2: Strip & Tin



P/N:20080418-09
Con1: MCX(M) S/T Plug
Cable: 1.13mm
Con2: Strip & Tin



P/N:20070820-04
Con1: MCX(F) S/T Jack
Cable: 1.13mm
Con2: U.FL (2.5H)



P/N:20080416-01
Con1: MCX(M) S/T Plug
Cable: 1.13mm
Con2: MCX(M) S/T Plug



P/N:20080418-07
Con1: MMCX(M) S/T Plug
Cable: 1.13mm
Con2: Strip & Tin

RF Cable Assembly



P/N:20081211-02
Con1: MMCX(M) S/T Plug
Cable: 1.32mm
Con2: U.FL(2.5H)



P/N:20061012-01
Con1: U.FL(2.5H)
Cable: 1.32mm
Con2: Strip & Tin



P/N:20061220-02
Con1: IPEX(2.5H)
Cable: 1.32mm
Con2: IPEX(2.5H)



P/N:20080103-02
Con1: U.FL(2.5H)
Cable: 1.32mm
Con2: U.FL(2.5H)



P/N:20060913-02
Con1: IPEX(2.5H)
Cable: 1.32mm
Con2: End Cut



P/N:20080114-04
Con1: MMCX(M) S/T Plug
Cable: 1.32mm
Con2: MMCX(M) S/T Plug

RF Cable Assembly



P/N:20070816-03
Con1: N(F) S/T Bulkhead Jack
Cable: 1.32mm
Con2: IPEX (2.5H)



P/N:20060704-01
Con1: SMA(F) R/A Bulkhead Jack
Cable: 1.32mm
Con2: IPEX (2.5H)



P/N:20071017-01
Con1: SMA(F) S/T Bulkhead Jack With O-Ring
Cable: 1.32mm
Con2: IPEX (2.5H)



P/N:20080114-01
Con1: SMA(F) S/T Bulkhead Jack
Cable: 1.32mm
Con2: SMA(M) S/T Plug



P/N:20060119-02
Con1: SMC(M Contact) S/T Bulkhead Jack
Cable: 1.32mm
Con2: IPEX (2.5H)



P/N:20080611-01
Con1: TNC(F) S/T Bulkhead Jack
Cable: 1.32mm
Con2: U.FL (2.5H)

RF Cable Assembly



P/N:20060413-01
Con1: SMA(F) R/A Jack
Cable: 1.32mm
Con2: IPEX (2.5H)



P/N:20061108-01
Con1: SMA(M) S/T Plug
Cable: 1.32mm
Con2: IPEX (2.5H)



P/N:20070730-04
Con1: SMA(F) S/T Bulkhead Jack
Cable: 1.32mm
Con2: IPEX (2.5H)



P/N:20081216-02
Con1: MCX(F) R/A Jack For P.C.B Mount
Cable: 1.32mm
Con2: Strip&Tin



P/N:20070203-01
Con1: IPEX (2.5H)
Cable: 1.32mm
Con2: Strip & Tin



P/N:20070730-02
Con1: TNC(F) S/T Bulkhead Jack
Cable: 1.32mm
Con2: IPEX (2.5H)

RF Cable Assembly



P/N:20081022-01

Con1: IPEX (2.5H)

Cable: 1.37mm

Con2: SSMCX(F) R/A Jack Switch

Con3: IPEX (2.5H)



P/N:20070215-01

Con1: SMA(M) S/T R/P Plug

Cable: 1.37mm

Con2: IPEX (2.5H)



P/N:20080502-10

Con1: MMCX(M) R/A Plug

Cable: 1.37mm

Con2: Strip & Tin



P/N:20071214-02

Con1: MMCX(M) S/T Plug

Cable: 1.37mm

Con2: IPEX (2.5H)



P/N:20070817-01

Con1: SMA(M) S/T Plug

Cable: 1.37mm

Con2: IPEX (2.5H)



P/N:20050719-01

Con1: SMA(F) S/T R/P Bulkhead Jack With O-Ring

Cable: 1.37mm

Con2: IPEX (2.5H)

RF Cable Assembly



P/N:20080425-06
Con1: SMA(F) S/T R/P Bulkhead Jack
Cable: 1.37mm
Con2: U.FL (2.5H)



P/N:20080521-07
Con1: SMA(F) R/A R/P Jack For 1.37mm And P.C.B Mount
Cable: 1.37mm
Con2: U.FL (2.5H)



P/N:20080318-02
Con1: SMA(F) S/T Bulkhead Jack With O-Ring
Cable: 1.37mm
Con2: IPEX (2.5H)



P/N:20070607-11
Con1: SMA(M) R/A Plug
Cable: 1.37mm
Con2: IPEX (2.5H)



P/N:20081208-12
Con1: FME(M) S/T Bulkhead Plug
Cable: 1.37mm
Con2: U.FL (2.5H)



P/N:20080408-01
Con1: TNC(F) S/T Bulkhead Jack
Cable: 1.37mm
Con2: U.FL (2.5H)

RF Cable Assembly



P/N:20080523-04
Con1: N(M) S/T Plug
Cable: 1.37mm
Con2: MMCX(M) R/A Plug



P/N:20050913-01
Con1: N(F) S/T Bulkhead Jack With O-Ring
Cable: 1.37mm
Con2: IPEX (2.5H)



P/N:20070607-08
Con1: N(F) S/T Bulkhead Jack Front Mount
Cable: 1.37mm
Con2: IPEX (2.5H)



P/N:20080523-03
Con1: N(F) S/T Bulkhead Jack
Cable: 1.37mm
Con2: MMCX(M) S/T Plug



P/N:20080407-02
Con1: TNC(F) S/T R/P Jack
Cable: 1.37mm
Con2: IPEX (2.5H)



P/N:20080222-03
Con1: N(F) S/T Bulkhead Jack
Cable: 1.37mm
Con2: IPEX (2.5H)

RF Cable Assembly



P/N:20080522-06

Con1: FME(M) S/T Bulkhead Plug Front Mount

Cable: 1.37mm

Con2: IPEX (2.5H)

RF Cable Assembly



P/N:20080409-05
Con1: MCX(F) R/A Jack For P.C.B Mount(75 Ohm)
Cable: 1.48mm 75 Ohm
Con2: IPEX 1.32



P/N:20070312-01
Con1: SMA(F) S/T Bulkhead Jack
Cable: 1.48mm 50 Ohm
Con2: H.FL



P/N:20051128-02
Con1: MCX(F) S/T Bulkhead Jack
Cable: 1.48mm 50 Ohm
Con2: H.FL



P/N:20060914-02
Con1: SMA(F) S/T R/P Bulkhead Jack
Cable: 1.48mm 50 Ohm
Con2: H.FL



P/N:20050719-02
Con1: SMA(F) S/T Bulkhead Jack With O-Ring
Cable: 1.48mm 50 Ohm
Con2: H.FL



P/N:20070629-01
Con1: SMB(M Contact) S/T Bulkhead Jack
Cable: 1.48mm 50 Ohm
Con2: H.FL

RF Cable Assembly



P/N:20051128-01

Con1: MCX(F) S/T Jack

Cable: 1.48mm 50 Ohm

Con2: H.F.L

RF Cable Assembly



P/N:20080502-09
Con1: SMA(M) R/A Plug
Cable: RG-142
Con2: SMA(M) R/A Plug



P/N:20080604-01
Con1: N(M) S/T Plug
Cable: RG-142
Con2: End Cut



P/N:20080503-01
Con1: SMA(M) S/T Plug
Cable: RG-142
Con2: SMA(M) S/T Plug

RF Cable Assembly



P/N:20080411-02
Con1: BNC(M) S/T Plug
Cable: RG-174
Con2: MCX(M) S/T Plug



P/N:20080617-02
Con1: MC CARD(M) R/A Plug
Cable: RG-174
Con2: SMA(F) R/A Bulkhead Jack



P/N:20070209-04
Con1: MCX(M) R/A Plug
Cable: RG-174
Con2: Strip & Tin



P/N:20080419-02
Con1: SMA(F) S/T Bulkhead Jack
Cable: RG-174
Con2: MMCX(M) R/A Plug



P/N:20071213-02
Con1: SMB(M Contact) S/T Bulkhead Jack
Cable: RG-174
Con2: MMCX(M) R/A Plug



P/N:20061127-01
Con1: TNC(F) S/T Bulkhead Jack
Cable: RG-174
Con2: MMCX(M) R/A Plug

RF Cable Assembly



P/N:20080408-02
Con1: SMA(F) S/T Bulkhead Jack + Protective Cap
Cable: RG-174
Con2: MMCX(M) S/T Plug



P/N:20061031-02
Con1: MS-151-C-LP
Cable: RG-174
Con2: End Cut



P/N:20051101-01
Con1: MS-151-C-LP
Cable: RG-174
Con2: SMA(F) S/T Bulkhead Jack



P/N:20080430-04
Con1: SMA(F) S/T R/P Bulkhead Jack
Cable: RG-174
Con2: SMA(M) S/T R/P Plug



P/N:20060329-02
Con1: SMA(F) S/T Bulkhead Jack With O-Ring
Cable: RG-174
Con2: SMA(M) R/A Plug



P/N:20080318-01
Con1: SMA(F) S/T Bulkhead Jack
Cable: RG-174
Con2: SSMB(F Contact) R/A Plug

RF Cable Assembly



P/N:20070529-02
Con1: SMA(F) S/T Bulkhead Jack
Cable: RG-174
Con2: MC CARD(M) R/A Plug



P/N:20071121-01
Con1: SMA(F) S/T Bulkhead Jack
Cable: RG-174
Con2: SMP(F Contact) R/A Plug



P/N:20071203-02
Con1: SMB(F Contact) S/T Plug
Cable: RG-174
Con2: SMB(F Contact) S/T Plug



P/N:20080606-01
Con1: SMB(F Contact) S/T Plug
Cable: RG-174
Con2&3: SMB(F Contact) S/T Plug



P/N:20080411-12
Con1: SSMB(M Contact) S/T Jack
Cable: RG-174
Con2: MC CARD(M) R/A Plug



P/N:20060612-03
Con1: TNC(F) S/T Bulkhead Jack
Cable: RG-174
Con2: Strip & Tin

RF Cable Assembly



P/N:20070424-01
Con1: SMA(M) S/T Plug
Cable: RG-174
Con2: MS-151-C-LP



P/N:20080418-05
Con1: SMA(M) S/T Plug
Cable: RG-174
Con2: MMCX(M) S/T Plug



P/N:20060713-01
Con1: BNC(F) S/T Jack
Cable: RG-174
Con2: SMA(M) S/T Plug



P/N:20070709-02
Con1: SMA(M) S/T Plug
Cable: RG-174
Con2: SMA(M) S/T Plug



P/N:20051020-02
Con1: SMA(M) S/T Plug
Cable: RG-174
Con2: Strip & Tin



P/N:20080410-04
Con1: SMA(M) S/T R/P Plug
Cable: RG-174
Con2: End Cut

RF Cable Assembly



P/N:20080319-01
Con1: SMA(M) R/A Plug
Cable: RG-174
Con2: SMA(F) S/T Bulkhead Jack



P/N:20060811-02
Con1: SMA(M) R/A Plug
Cable: RG-174
Con2: Strip & Tin



P/N:20060615-03
Con1: SMA(M) R/A Plug
Cable: RG-174
Con2: MMCX(M) R/A Plug



P/N:20080430-01
Con1: SMA(M) R/A Plug
Cable: RG-174
Con2: SMA(M) R/A Plug



P/N:20071129-01
Con1: MS-151-C-LP
Cable: RG-174
Con2: SMA(F) S/T Jack



P/N:20071018-01
Con1: SMA(F) S/T Bulkhead Jack
Cable: RG-174
Con2: End Cut

RF Cable Assembly



P/N:20050309-07
Con1: SMA(F) S/T Bulkhead Jack
Cable: RG-174
Con2: Strip & Tin



P/N:20060508-01
Con1: SMA(F) S/T Bulkhead Jack
Cable: RG-174
Con2: MCX(M) R/A Plug



P/N:20060612-02
Con1: SMA(F) S/T Bulkhead Jack With O-Ring
Cable: RG-174
Con2: Strip & Tin



P/N:20060322-04
Con1: SMA(F) S/T Bulkhead Jack With O-Ring
Cable: RG-174
Con2: SMA(M) S/T Plug



P/N:20080530-01
Con1: SMA(F) S/T R/P Bulkhead Jack
Cable: RG-174
Con2: Strip & Tin



P/N:20070201-02
Con1: SMB(M Contact) S/T Bulkhead Jack
Cable: RG-174
Con2: MCX(M) R/A Plug

RF Cable Assembly



P/N:20080425-07
Con1: SMB(F Contact) S/T Plug
Cable: RG-174
Con2: End Cut



P/N:20080229-02
Con1: SMB(F Contact) R/A Plug
Cable: RG-174
Con2: Strip & Tin



P/N:20080516-01
Con1: MMCX(M) R/A Plug
Cable: RG-174
Con2: MMCX(M) R/A Plug



P/N:20080422-01
Con1: SMA(M) R/A Plug
Cable: RG-174
Con2: MMCX(M) R/A Plug



P/N:20080418-11
Con1: MMCX(M) R/A Plug
Cable: RG-174
Con2: Strip & Tin



P/N:20080315-01
Con1: FME(M) S/T Bulkhead Plug
Cable: RG-174
Con2: MMCX(M) R/A Plug

RF Cable Assembly



P/N:20071214-03
Con1: BNC(F) S/T Bulkhead Jack
Cable: RG-174
Con2: MMCX(F) S/T Jack



P/N:20080412-04
Con1: MMCX(M) S/T Plug
Cable: RG-174
Con2: SMA(M) S/T Plug



P/N:20080514-02
Con1: KAE(M) R/A Plug
Cable: RG-174
Con2: SMA(M) S/T Plug



P/N:20080603-01
Con1: KAE(M) R/A Plug
Cable: RG-174
Con2: SMA(F) S/T Bulkhead Jack



P/N:20080408-05
Con1: SSMB(M Contact) S/T Jack
Cable: RG-174
Con2: MMCX(M) S/T Plug



P/N:20080418-10
Con1: MCX(M) S/T Plug
Cable: RG-174
Con2: MCX(M) S/T Plug

RF Cable Assembly



P/N:20071011-03

Con1: SMA(F) S/T Jack

Cable: RG-174

Con2: MC CARD(M) S/T Plug



P/N:20080202-02

Con1: FME(M) S/T Bulkhead Plug Front Mount

Cable: RG-174

Con2: MMCX(M) R/A Plug

RF Cable Assembly



P/N:20080412-05
Con1: IPEX (2.5H)
Cable: RG-178
Con2: End Cut



P/N:20060516-02
Con1: SMA(M) S/T Plug
Cable: RG-178
Con2: IPEX (2.5H)



P/N:20061026-01
Con1: MCX(F) S/T Jack
Cable: RG-178
Con2: Strip & Tin



P/N:20080506-05
Con1: SMA(F) S/T R/P Jack
Cable: RG-178
Con2: MMCX(M) R/A Plug



P/N:20060926-02
Con1: SMB(M Contact) R/A Bulkhead Jack
Cable: RG-178
Con2: MMCX(M) R/A Plug



P/N:20080222-02
Con1: MMCX(M) S/T Plug
Cable: RG-178
Con2: SMA(F)S/T Bulkhead Jack

RF Cable Assembly



P/N:20081013-05
Con1: MC CARD(M) R/A Plug
Cable: RG-178
Con2: Strip & Tin



P/N:20061113-01
Con1: SMA(F) S/T R/P Bulkhead Jack
Cable: RG-178
Con2: Strip & Tin



P/N:20050128-01
Con1: SMA(F) S/T Bulkhead Jack
Cable: RG-178
Con2: MMCX(M) R/A Plug



P/N:20080105-03
Con1: SMA(F) S/T Bulkhead Jack
Cable: RG-178
Con2: SMA(M) S/T Plug



P/N:20061005-01
Con1: SMA(F) S/T Bulkhead Jack
Cable: RG-178
Con2: Strip & Tin



P/N:20060105-02
Con1: SMA(M) R/A Plug
Cable: RG-178
Con2: SMA(F) S/T Bulkhead Jack

RF Cable Assembly



P/N:20071103-03
Con1: SMA(F) S/T Bulkhead Jack
Cable: RG-178
Con2: SMA(M) S/T Plug



P/N:20071025-01
Con1: SMA(F) S/T Bulkhead Jack
Cable: RG-178
Con2: Strip & Tin



P/N:20061013-01
Con1: SMA(M) R/A Plug
Cable: RG-178
Con2: IPEX (2.5H)



P/N:20060529-08
Con1: SMA(M) S/T Plug
Cable: RG-178
Con2: SMA(M) S/T Plug



P/N:20060227-01
Con1: IPEX(2.5H)
Cable: RG-178
Con2: IPEX (2.5H)



P/N:20070625-01
Con1: MCX(F) S/T Jack
Cable: RG-178
Con2: Special Strip & Tin

RF Cable Assembly



P/N:20050915-01
Con1: SMA(F) S/T Bulkhead Jack
Cable: RG-178
Con2: IPEX (2.5H)



P/N:20060105-01
Con1: SMA(M) R/A Plug
Cable: RG-178
Con2: Strip & Tin



P/N:20080901-04
Con1: SSMB(F Contact) R/A Plug
Cable: RG-178
Con2: Strip & Tin



P/N:20070412-01
Con1: SMB(M Contact) S/T Bulkhead Jack
Cable: RG-178
Con2: MCX(M) R/A Plug



P/N:20080618-01
Con1: Strip & Tin
Cable: RG-178
Con2: Strip & Tin



P/N:20080424-11
Con1: SMA(M) S/T Plug
Cable: RG-178
Con2: MC CARD(M) R/A Plug

RF Cable Assembly



P/N:20080301-01
Con1: MMCX(F) S/T Bulkhead Jack
Cable: RG-178
Con2: Special Strip & Tin



P/N:20051128-03
Con1: MMCX(F) S/T Jack
Cable: RG-178
Con2: Special Strip & Tin



P/N:20080429-04
Con1: MMCX(M) R/A Plug
Cable: RG-178
Con2: Strip & Tin



P/N:20080105-01
Con1: MMCX(M) S/T Plug
Cable: RG-178
Con2: MMCX(M) R/A Plug



P/N:20080105-02
Con1: MMCX(M) S/T Plug
Cable: RG-178
Con2: MMCX(M) S/T Plug



P/N:20060206-04
Con1: N(M) S/T Plug
Cable: RG-178
Con2: SMA(M) R/A Plug

RF Cable Assembly



P/N:20080506-03
Con1: N(F) S/T Bulkhead Jack
Cable: RG-178
Con2: Strip & Tin



P/N:20080412-01
Con1: TNC(F) S/T R/P Bulkhead Jack
Cable: RG-178
Con2: MMCX(M) R/A Plug



P/N:20071103-02
Con1: TNC(F) S/T Bulkhead Jack
Cable: RG-178
Con2: MCX(M) R/A Plug



P/N:20080225-01
Con1: N(F) S/T Bulkhead Jack
Cable: RG-178
Con2: IPEX (2.5H)



P/N:20060206-05
Con1: N(M) S/T Plug
Cable: RG-178
Con2: SMA(F) S/T Bulkhead Jack

RF Cable Assembly



P/N:20040910-06
Con1: BNC(M) S/T Plug
Cable: RG-179
Con2: 1.0/2.3(M) S/T Plug



P/N:20080117-01
Con1: BNC(M) S/T Plug
Cable: RG-179
Con2: SMB(F Contact) R/A Plug



P/N:20070420-01
Con1: BNC(M) S/T Plug
Cable: RG-179
Con2: BNC(M) S/T Plug



P/N:20070717-02
Con1: F(F) S/T Bulkhead Jack
Cable: RG-179
Con2: End Cut



P/N:20080411-10
Con1: F(F) S/T Bulkhead Jack
Cable: RG-179
Con2: SMB(F Contact) S/T Plug

RF Cable Assembly



P/N:20071103-01
Con1: BNC(M) S/T Plug
Cable: RG-316
Con2: MCX(M) S/T Plug



P/N:20070822-01
Con1: BNC(M) S/T Plug
Cable: RG-316
Con2: SMA(M) S/T Plug



P/N:20080416-04
Con1: MCX(M) R/A Plug
Cable: RG-316
Con2: Strip & Tin



P/N:20070607-05
Con1: TNC(F) S/T Bulkhead Jack Front Mount
Cable: RG-316
Con2: MMCX(F) S/T Jack



P/N:20080218-01
Con1: SMA(F) S/T Bulkhead Jack + Protective Cap
Cable: RG-316
Con2: MMCX(M) S/T Plug



P/N:20071212-01
Con1: N(F) S/T Bulkhead Jack
Cable: RG-316
Con2: MCX(M) R/A Plug

RF Cable Assembly



P/N:20070528-01
Con1: N(F) S/T Bulkhead Jack With O-Ring
Cable: RG-316
Con2: SMA(M) S/T R/P Plug



P/N:20080521-06
Con1: SMA(F) S/T Bulkhead Jack
Cable: RG-316
Con2: MC CARD(M) S/T Plug



P/N:20080424-04
Con1: SMA(F) S/T R/P Bulkhead Jack
Cable: RG-316
Con2: ACX(M) R/A Plug



P/N:20070918-02
Con1: SMA(F) S/T Bulkhead Jack With O-Ring
Cable: RG-316
Con2: MMCX(M) R/A Plug



P/N:20071121-02
Con1: SMA(F) S/T Bulkhead Jack
Cable: RG-316
Con2: SMP(F Contact) R/A Plug



P/N:20071203-01
Con1: TNC(M) S/T R/P Plug
Cable: RG-316
Con2: SMA(F) S/T Bulkhead Jack

RF Cable Assembly



P/N:20080425-03
Con1: SMA(M) S/T Plug
Cable: RG-316
Con2: MMCX(M) S/T Plug



P/N:20070424-02
Con1: SMB(F Contact) R/A Plug
Cable: RG-316
Con2: SMB(F Contact) R/A Plug



P/N:20080429-07
Con1: SSMB(F Contact) R/A Plug
Cable: RG-316
Con2: SMA(M) S/T Plug



P/N:20071213-01
Con1: TNC(F) S/T Bulkhead Jack
Cable: RG-316
Con2: SMB(F Contact) S/T Plug



P/N:20080506-01
Con1: TNC(F) S/T Bulkhead Jack
Cable: RG-316
Con2: SSMB(F Contact) R/A Plug



P/N:20080416-08
Con1: SMA(M) S/T Plug
Cable: RG-316
Con2: SMA(M) R/A Plug

RF Cable Assembly



P/N:20080522-02
Con1: SMA(M) S/T Plug
Cable: RG-316
Con2: Strip & Tin



P/N:20080522-01
Con1: SMA(M) S/T Plug
Cable: RG-316
Con2: SMA(M) S/T Plug



P/N:20080429-06
Con1: SMA(M) R/A Plug
Cable: RG-316
Con2: SMA(M) R/A Plug



P/N:20080408-04
Con1: SMA(M) R/A Plug
Cable: RG-316
Con2: SMA(M) R/A Plug



P/N:20080319-02
Con1: SMA(M) R/A Plug
Cable: RG-316
Con2: SMA(F) S/T Bulkhead Jack



P/N:20080411-09
Con1: SMA(M) S/T R/P Plug
Cable: RG-316
Con2: SMA(M) S/T R/P Plug

RF Cable Assembly



P/N:20080411-08
Con1: SMA(M) S/T R/P Plug
Cable: RG-316
Con2: SMA(M) S/T Plug



P/N:20060529-06
Con1: SMA(M) S/T R/P Plug
Cable: RG-316
Con2: End Cut



P/N:20080411-13
Con1: SMA(F) S/T Bulkhead Jack
Cable: RG-316
Con2: End Cut



P/N:20080411-07
Con1: SMA(F) S/T Bulkhead Jack
Cable: RG-316
Con2: SMA(F) S/T Bulkhead Jack



P/N:20080410-06
Con1: SMA(F) S/T Bulkhead Jack
Cable: RG-316
Con2: SMA(M) S/T Plug



P/N:20080410-01
Con1: SMA(F) S/T R/P Bulkhead Jack
Cable: RG-316
Con2: SMA(F) S/T Bulkhead Jack

RF Cable Assembly



P/N:20080411-06
Con1: SMA(F) S/T R/P Bulkhead Jack
Cable: RG-316
Con2: SMA(M) S/T R/P Plug



P/N:20080415-18
Con1: SMA(F) S/T R/P Bulkhead Jack
Cable: RG-316
Con2: MMCX(M) R/A Plug



P/N:20080527-01
Con1: SMA(F) S/T R/P Bulkhead Jack
Cable: RG-316
Con2: MCX(M) S/T Plug



P/N:20070412-02
Con1: TNC(F) S/T Bulkhead Jack
Cable: RG-316
Con2: MCX(M) R/A Plug



P/N:20080423-02
Con1: MCX(M) S/T Plug
Cable: RG-316
Con2: Strip & Tin



P/N:20080526-07
Con1: MMCX(M) R/A Plug
Cable: RG-316
Con2: MCX(F) S/T Jack

RF Cable Assembly



P/N:20080514-01

Con1: N(F) S/T Bulkhead Jack

Cable: RG-316

Con2: Strip

RF Cable Assembly



P/N:20080614-01
Con1: N(F) S/T Jack
Cable: SS405
Con2: MMCX(M) R/A Plug



P/N:20080730-02
Con1: SMA(F) S/T Jack
Cable: SS405
Con2: Mini SMP(F Contact) S/T Plug



P/N:20081030-02
Con1: SMA(M) S/T Plug
Cable: SS405
Con2: SMP(F Contact) S/T Plug

RF Cable Assembly



P/N:20080430-06
Con1: SMA(M) S/T Plug
Cable:LMR-100A
Con2: MC CARD(M) R/A Plug



P/N:20070607-12
Con1: SMA(M) R/A Plug
Cable:LMR-100A
Con2: MMCX(M) R/A Plug



P/N:20070607-10
Con1: N(F) S/T Bulkhead Jack Front Mount
Cable:LMR-100A
Con2: SMA(M) R/A Plug



P/N:20080418-08
Con1: N(F) S/T Bulkhead Jack Front Mount
Cable:LMR-100A
Con2: MMCX(M) R/A Plug



P/N:20080418-04
Con1: TNC(F) R/A R/P Bulkhead Jack
Cable:LMR-100A
Con2: MC CARD(M) R/A Plug



P/N:20080728-04
Con1: SMA(F) S/T R/P Bulkhead Jack
Cable:LMR-100A
Con2: SMA(M) S/T R/P Plug

RF Cable Assembly



P/N:20080825-02
Con1: SMA(M) R/A Plug
Cable:LMR-100A
Con2: ACX(M) R/A Plug



P/N:20081023-04
Con1: SMA(F) S/T Jack
Cable:LMR-100A
Con2: MS-151-C-LP



P/N:20080825-03
Con1: SMA(M) S/T Plug
Cable:LMR-100A
Con2: ACX(M) R/A Plug



P/N:20080512-04
Con1: SMA(M) S/T Plug
Cable:LMR-100A
Con2: MC CARD(M) R/A Plug



P/N:20080818-01
Con1: N(M) S/T Plug
Cable:LMR-100A
Con2: MMCX(M) R/A Plug



P/N:20081003-02
Con1: SMA(M) S/T Plug
Cable:LMR-100A
Con2: SMB(F Contact) S/T Plug

RF Cable Assembly



P/N:20081003-03

Con1: SMA(M) S/T Plug

Cable:LMR-100A

Con2: SMB(F Contact) R/A Plug



P/N:20081023-03

Con1: SMA(F) S/T Jack

Cable:LMR-100A

Con2: MS-147-C(LP)-1

RF Cable Assembly



P/N:20051229-01

Con1: SMA(M) S/T Plug

Cable:LMR-195

Con2: SMA(F) S/T R/P Bulkhead Jack



P/N:20080902-09

Con1: SMA(M) S/T Plug

Cable:LMR-195

Con2: SMA(M) S/T Plug

RF Cable Assembly



P/N:20060206-03

Con1: TNC(M) S/T R/P Plug

Cable:LMR-240

Con2: TNC(M) S/T R/P Plug



P/N:20060608-02

Con1: TNC(M) S/T Plug

Cable:LMR-240

Con2: TNC(M) S/T Plug



P/N:20061102-03

Con1: N(M) S/T Plug

Cable:LMR-240

Con2: SMA(M) S/T Plug



P/N:20080728-07

Con1: SMA(M) S/T R/P Plug

Cable:LMR-240

Con2: SMA(F) S/T R/P Jack



P/N:20080306-01

Con1: TNC(M) S/T Plug

Cable:LMR-240

Con2: TNC(M) S/T Plug

RF Cable Assembly



P/N:20060901-03
Con1: N(M) S/T Plug
Cable:LMR-400
Con2: N(M) S/T Plug



P/N:20061102-02
Con1: N(M) R/A Plug
Cable:LMR-400
Con2: End Cut



P/N:20080421-01
Con1: SMA(M) S/T R/P Plug
Cable:HDF-400
Con2: N(M) S/T Plug



P/N:20080522-05
Con1: TNC(M) S/T R/P Plug
Cable:HDF-400
Con2: TNC(F) S/T R/P Jack



P/N:20080421-02
Con1: SMA(M) S/T R/P Plug
Cable:HDF-400
Con2: N(M) S/T Plug

RF Cable Assembly



P/N:20071002-05

Con1: N(M) S/T Plug

Cable:LMR-600

Con2: N(M) S/T Plug

RF Cable Assembly



P/N:20080320-01

Con1: SMA(M) S/T Plug

Cable:Semi-Flexible RG-402

Con2: SMA(M) S/T Plug



P/N:20080508-02

Con1: N(F) S/T Jack

Cable:Semi-Flexible RG-405

Con2: MMCX(M) R/A Plug



P/N:20080305-02

Con1: SMA(F) S/T Jack

Cable:Semi-Rigid .047

Con2: SMA(M) S/T Plug



P/N:20080414-01

Con1: SMA(F) S/T Bulkhead Jack With O-Ring

Cable:Semi-Rigid .085

Con2: SMA(M) S/T Plug

RF Cable Assembly



P/N:20071017-02

Con1: SMA(F) S/T Bulkhead Jack With O-Ring

Cable:RD-1.32mm

Con2: IPEX (2.5H)



P/N:20061117-01

Con1: SMA(F) S/T Bulkhead Jack

Cable:RD-1.32mm

Con2: IPEX (2.5H)

RF Cable Assembly



P/N:20060925-01

Con1: TNC(F) S/T Bulkhead Jack

Cable:RD-174

Con2: Strip & Tin



P/N:20060925-02

Con1: TNC(F) S/T Bulkhead Jack

Cable:RD-174

Con2: MMCX(M) R/A Plug

RF Cable Assembly



P/N:20080514-05

Con1: SMB(F Contact) S/T Plug

Cable:RD-179

Con2: SMB(F Contact) R/A Plug



P/N:20080512-05

Con1: SMB(F Contact) S/T Plug

Cable:RD-179

Con2: Strip & Tin



P/N:20080505-01

Con1: SMB(F Contact) S/T Plug

Cable:RD-179

Con2: SMB(F Contact) R/A Plug



P/N:20080514-03

Con1: SMB(F Contact) R/A Plug

Cable:RD-179

Con2: SMB(F Contact) R/A Plug



P/N:20080409-03

Con1: F(M) S/T Plug

Cable:RD-179

Con2: Strip & Tin

RF Cable Assembly



P/N:20080424-03

Con1: SMA(M) S/T Plug

Cable:RD-316

Con2: MMCX(M) S/T Plug



P/N:20080424-01

Con1: SMA(M) S/T Plug

Cable:RD-316

Con2: SMA(M) S/T Plug

RF Cable Assembly



P/N:20060216-03

Con1: IPEX(1.5H) equivalent Hirose P/N W.FL-LP-040

Cable:0.81mm

Con2: IPEX(1.5H) equivalent Hirose P/N W.FL-LP-040

RF Cable Assembly



P/N:20071001-01

Con1: IPEX(2.0H) equivalent Hirose P/N U.FL-LP(V)-040

Cable:0.81mm

Con2:Strip & Tin



P/N:20081031-05

Con1: IPEX(2.0H) equivalent Hirose P/N U.FL-LP(V)-040

Cable:0.81mm

Con2: IPEX(2.0H) equivalent Hirose P/N U.FL-LP(V)-040

RF Cable Assembly



P/N:20070327-01
Con1: IPEX(2.5H) equivalent Hirose P/N U.FL-LP-040
Cable:0.81mm
Con2: Strip & Tin



P/N:20070703-01
Con1: IPEX(2.5H) equivalent Hirose P/N U.FL-LP-040
Cable:0.81mm
Con2: IPEX(2.5H) equivalent Hirose P/N U.FL-LP-040



P/N:20070522-01
Con1: IPEX(2.5H) equivalent Hirose P/N U.FL-LP-068
Cable:1.13mm
Con2: Strip & Tin



P/N:20060206-02
Con1: IPEX(2.5H) equivalent Hirose P/N U.FL-LP-068
Cable:1.13mm
Con2: IPEX(2.5H) equivalent Hirose P/N U.FL-LP-068



P/N:20050722-01
Con1: IPEX(2.5H) equivalent Hirose P/N U.FL-LP-066
Cable:1.32mm
Con2: Strip & Tin



P/N:20080114-02
Con1: IPEX(2.5H) equivalent Hirose P/N U.FL-LP-066
Cable:1.32mm
Con2: IPEX(2.5H) equivalent Hirose P/N U.FL-LP-066

RF Cable Assembly



P/N:20060609-01
Con1: IPEX(2.5H) equivalent Hirose P/N U.FL-LP-088
Cable:1.37mm
Con2: Strip & Tin



P/N:20090119-02
Con1: IPEX(2.5H) equivalent Hirose P/N U.FL-LP-088
Cable:1.37mm
Con2: Strip & Tin



P/N:20080523-01
Con1: IPEX(2.5H) equivalent Hirose P/N N/A
Cable:RG-178
Con2: Strip & Tin



P/N:20080105-04
Con1: IPEX(2.5H) equivalent Hirose P/N N/A
Cable:RG-178
Con2: IPEX(2.5H) equivalent Hirose P/N N/A

IP68 Waterproof Cable Assembly

EnterTec IP68 Waterproof Series is based on SMA & SMB Connector and the matching cable is RG174. The cable length is flexible that can be adjusted according to your requirement.

This product can be used in a variety of different situations, especially the harsh external environments. It is of the best protection in the dust and moisture environments. From outdoor pursuits, this type product is comply with the big market tendency.



SMB(F Contact) S/T Plug/ RG174 /SMB(M Contact) S/T Jack IP68 Waterproof, L=1000mm (P/N:20080904-08)



P/N:73283712

SMB(F Contact) S/T Plug for IP68 Waterproof



P/N:73283812

SMB(M Contact) S/T Jack for IP68 Waterproof



P/N:73283912

Quick SMA(M) S/T Plug For IP 68 Waterproof Parts



P/N:73284012

SMA(F) S/T Jack For IP 68 Waterproof Parts

IPEX/U.FL Compatibility

In our production range, there is IPEX equivalent to Hirose U.FL. As for the compatibility details, please refer to the below.

IPEX P/N	IPEX Receptacle	Coaxial Outer Diameter	Height	Hirose P/N	Hirose Receptacle
20278-111R-08	20279-001E-01	OD0.81mm	2.5mm	U.FL-LP-040	U.FL-R-SMT
20278-111R-13	20279-001E-01	OD1.13mm	2.5mm	U.FL-LP-068	U.FL-R-SMT
20278-111R-32	20279-001E-01	OD1.32mm	2.5mm	U.FL-LP-066	U.FL-R-SMT
20278-111R-18	20279-001E-01	OD1.80mm	2.5mm	N/A	N/A
20351-111R-37	20279-001E-01	OD1.37mm	2.5mm	U.FL-LP-088	U.FL-R-SMT
20311-011R-08	20279-001E-01	OD0.81mm	2.0mm	U.FL-LP(V)-040	U.FL-R-SMT
20367-001R	20369-001E	OD0.81mm	1.5mm	W.FL-LP-040	W.FL-R-SMT-1

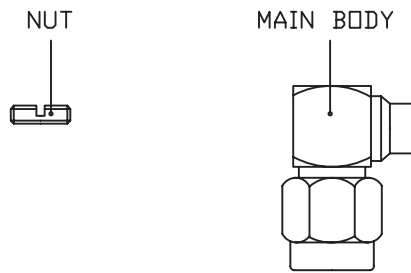
Cable Specifications

Flexible	Ohm	Conductor OD	Dielectric OD	Shield OD	Jacket OD	Typically Used With
0.81mm	50	0.006	0.016	0.026	0.032	MMCX, MCX, SMB, SMA,
1.13mm	50	0.009	0.027	0.035	0.044	MMCX, MCX, SMB, SMA,
1.32mm	50	0.009	0.027	0.035	0.052	MMCX, MCX, SMB, SMA,
1.48mm	50	0.012	0.033	0.049	0.058	MMCX, MCX, SMB, SMA,
RG-178B/U	50	0.012	0.034	0.054	0.071	MMCX, MCX, SMB, SMA,
RG-196A/U	50	0.012	0.034	0.054	0.071	1.0/2.3, FAKRA
RG-179B/U	75	0.012	0.063	0.084	0.110	MMCX, MCX, SMB
RG-187A/U	75	0.012	0.060	0.084	0.110	
RD-179	75	0.012	0.063	0.103	0.120	MMCX, MCX, SMB
RD-187	75	0.012	0.060	0.100	0.120	
RG-174/U	50	0.019	0.060	0.080	0.110	MMCX, MCX, SMB, SMA, 1.0/2.3
RG-188A/U	50	0.020	0.060	0.081	0.110	
RG-316/U	50	0.020	0.060	0.081	0.110	
LMR-100	50	0.022	0.062	0.085	0.105	
HDF-100	50	0.019	0.060	0.083	0.110	
RD-188	50	0.020	0.060	0.100	0.120	MMCX, MCX, SMB, SMA
RD-316	50	0.020	0.060	0.100	0.120	
RG-59B/U	75	0.039	0.116	0.146	0.190	BNC, TNC, N
LMR-195	50	0.037	0.110	0.139	0.195	BNC, TNC, N
HDF-195	50	0.037	0.112	0.139	0.195	
RG-58C/U	50	0.038	0.116	0.150	0.195	
RG-141A/U	50	0.039	0.113	0.146	0.190	
RG-303/U	50	0.039	0.116	0.146	0.190	
LMR-200	50	0.044	0.116	0.144	0.195	BNC, TNC, N, FAKRA
HDF-200	50	0.044	0.116	0.144	0.195	
CFD-200	50	0.044	0.116	0.144	0.197	
RG-55A/U	50	0.320	0.116	0.176	0.206	BNC, TNC, N
RG-223/U	50	0.032	0.116	0.176	0.206	
LMR-240	50	0.056	0.150	0.178	0.240	BNC, TNC, N
HDF-155	50	0.058	0.154	0.177	0.213	BNC, TNC, N
RG-213/U	50	0.085	0.285	0.340	0.405	SMA, BNC, N, 7/16 DIN
LMR-400	50	0.108	0.285	0.320	0.405	
HDF-400	50	0.108	0.285	0.320	0.405	
LMR-600	50	0.176	0.455	0.490	0.590	N
.250	50	0.065	0.209	0.250	-- --	MMCX, MCX, SMA, SMB, N
.141 SR (RG-402/U)	50	0.039	0.117	0.141	-- --	
.085 SR (RG-405/U)	50	0.020	0.065	0.085	-- --	
.047 SR (M17/151 Type)	50	0.011	0.034	0.047	-- --	

Cable Assembly Instructions

Cable Assembly Instructions-Solder (Semi-Rigid)

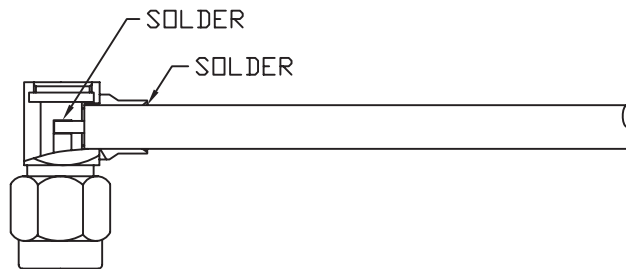
STEP 1.



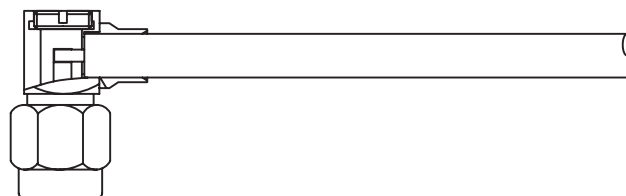
STEP 2.



STEP 3.



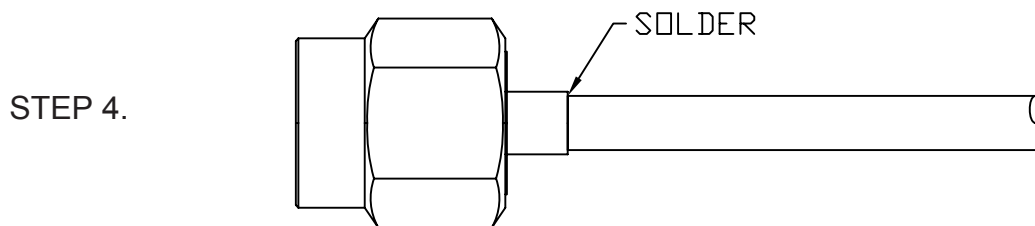
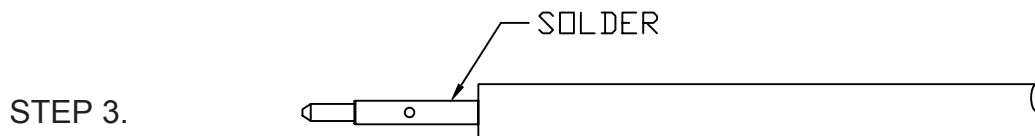
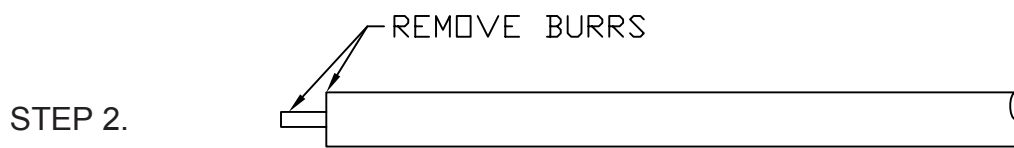
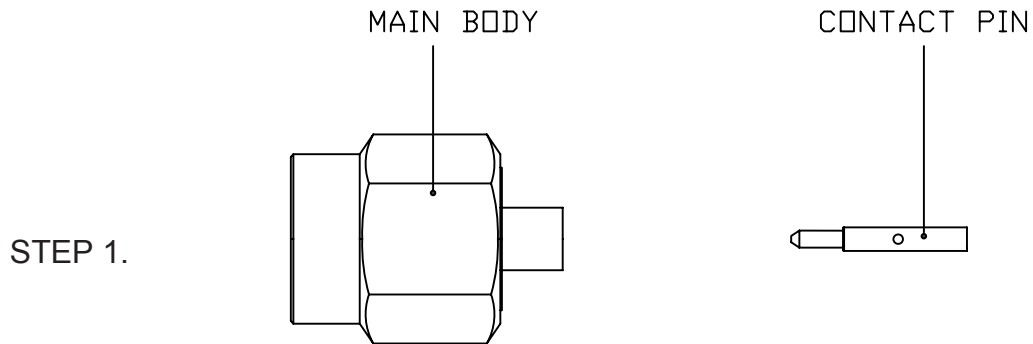
STEP 4.



- STEP 1. All parts of the connector are shown.
- STEP 2. Strip the inner conductor, dielectric.
- STEP 3. Solder inner conductor to the contact pin of MAIN BODY, and solder cable jacket to the MAIN Body as shown.
- STEP 4. Screw the NUT into the MAIN BODY until it stops.

Cable Assembly Instructions

Cable Assembly Instructions-Solder (Semi-Rigid)



STEP 1. All parts of the connector are shown.

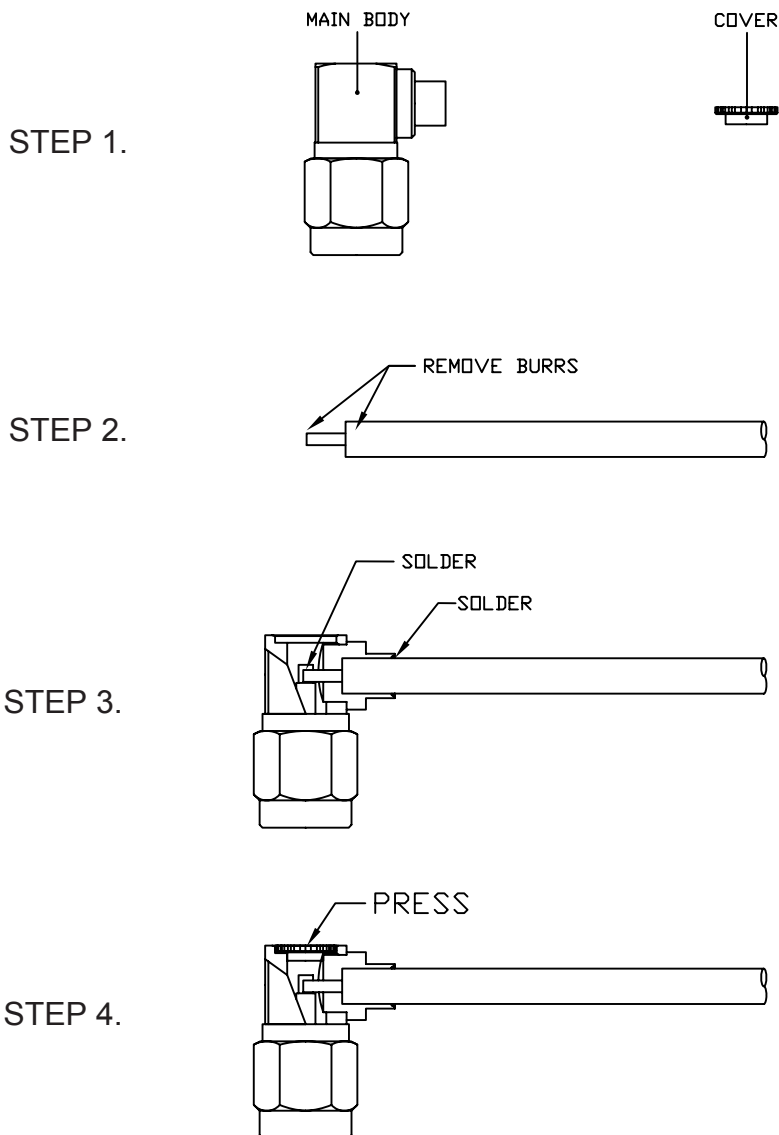
STEP 2. Strip the inner conductor, dielectric.

STEP 3. Insert inner conductor into the CONTACT PIN and solder it as shown.

STEP 4. Solder the MAIN BODY to cable as shown.

Cable Assembly Instructions

Cable Assembly Instructions-Solder (Semi-Rigid)



STEP 1. All parts of the connector are shown.

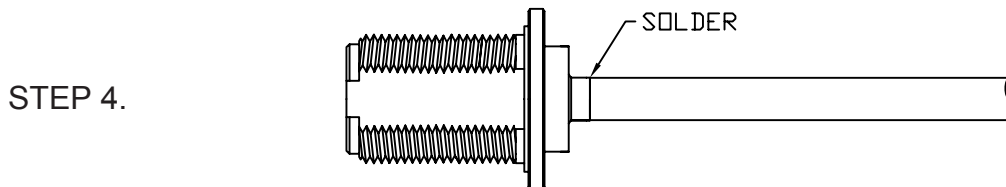
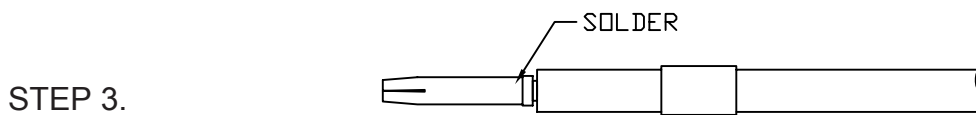
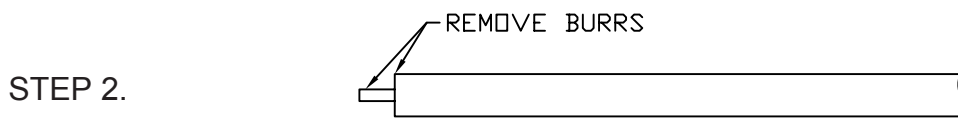
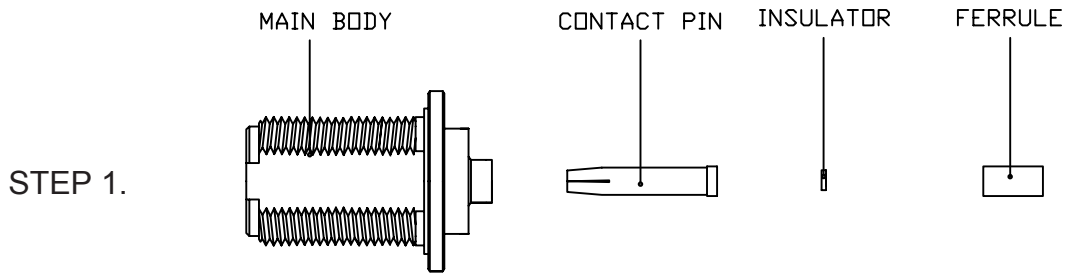
STEP 2. Strip the inner conductor, dielectric.

STEP 3. Solder inner conductor to the contact pin of MAIN BODY, and solder cable jacket to the MAIN BODY as shown.

STEP 4. Press the COVER into the MAIN BODY until it flat with the MAIN BODY.

Cable Assembly Instructions

Cable Assembly Instructions-Solder (Semi-Rigid)



STEP 1. All parts of the connector are shown.

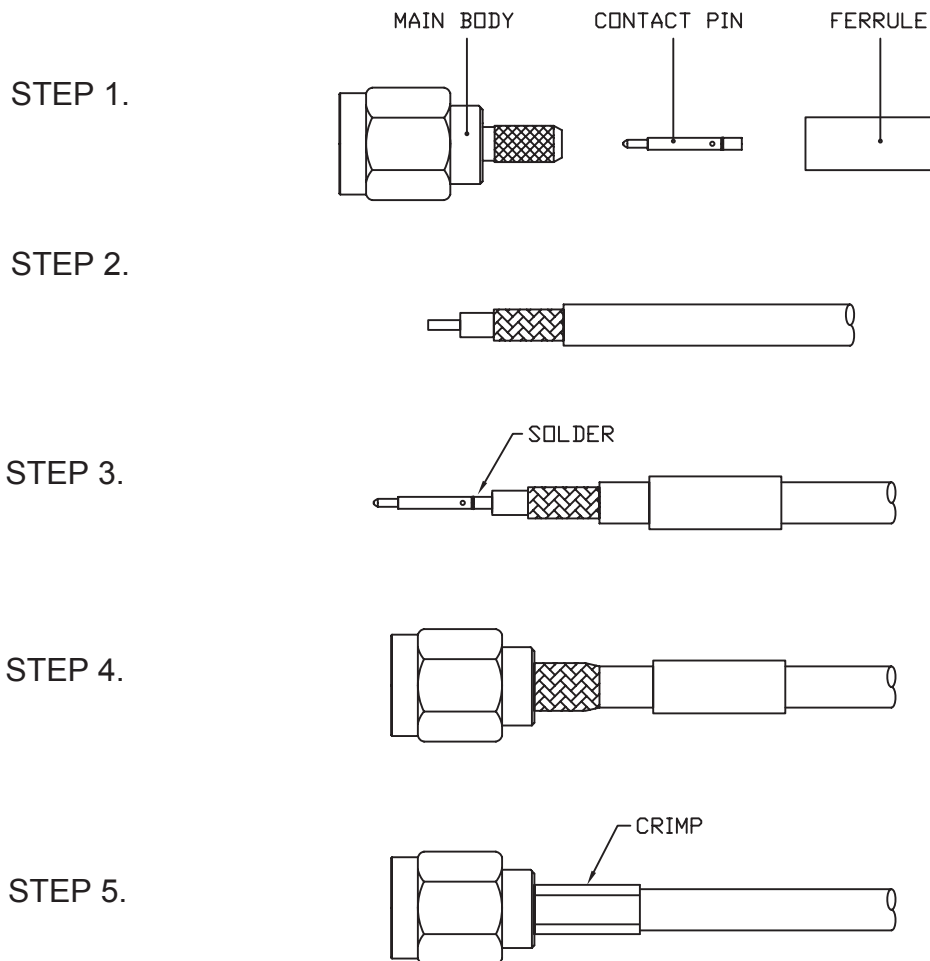
STEP 2. Strip the cable inner conductor, dielectric.

STEP 3. Slide FERRULE onto cable and INSULATOR onto center conductor. Insert inner conductor into the CONTACT PIN and solder it as shown.

STEP 4. Push cable and parts into the MAIN BODY until it stops. Solder the MAIN BODY to cable as shown.

Cable Assembly Instructions

Cable Assembly Instructions-Solder / Crimp



STEP 1. All parts of the connector are shown.

STEP 2. Strip the cable inner conductor, dielectric, braid.

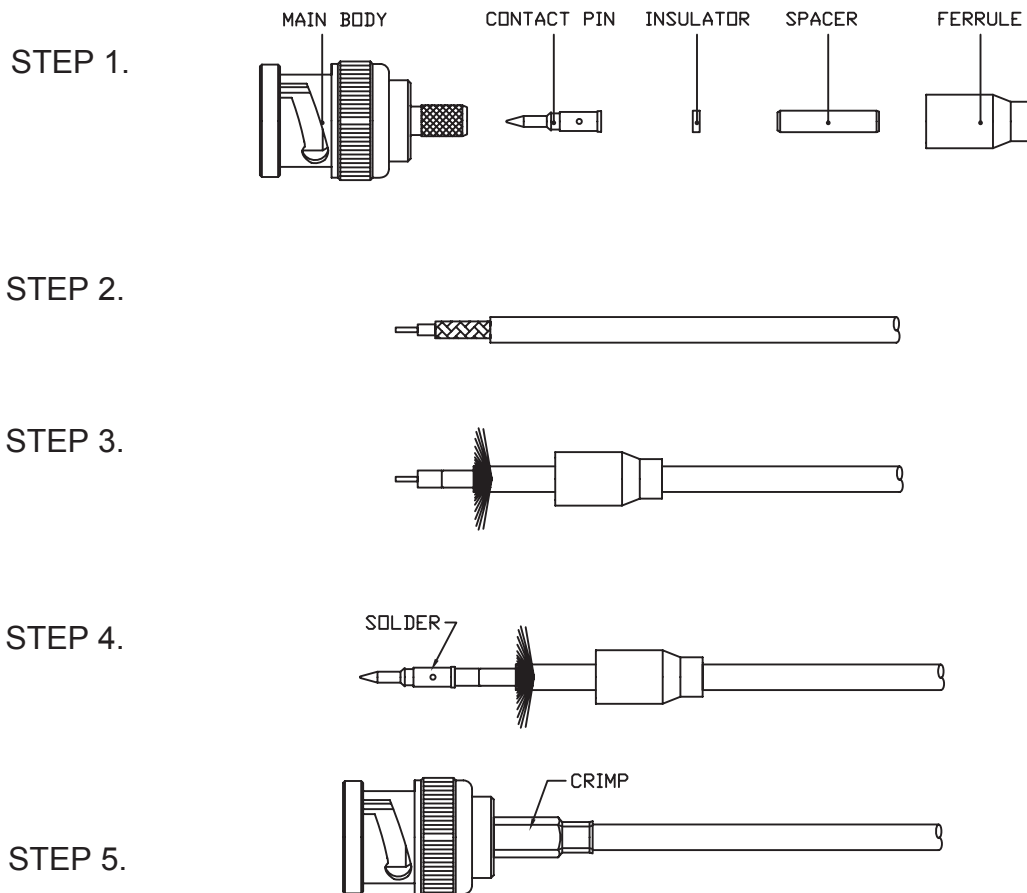
STEP 3. Insert inner conductor into the CONTACT PIN and solder it as shown.
Then slide the FERRULE onto cable.

STEP 4. Insert the MAIN BODY into braid and dielectric.

STEP 5. Slide the FERRULE over braid and crimp it .

Cable Assembly Instructions

Cable Assembly Instructions-Solder / Crimp



STEP 1. All parts of the connector are shown.

STEP 2. Strip the inner conductor, dielectric, braid .

STEP 3. Slide the FERRULE onto cable, then fold back braid wire and slide the SPACER and INSULATOR onto dielectric as shown.

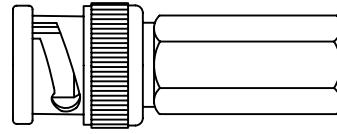
STEP 4. Insert inner conductor into the CONTACT PIN and solder it .

STEP 5. Push cable and parts into the MAIN BODY until it stops. Then slide the FERRULE over braid wire and against the MAIN BODY, crimp it .

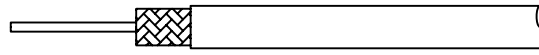
Cable Assembly Instructions

Cable Assembly Instructions-Solder / Crimp

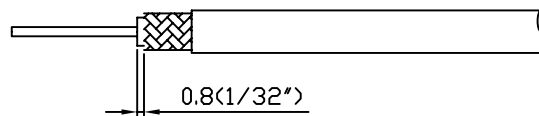
STEP 1.



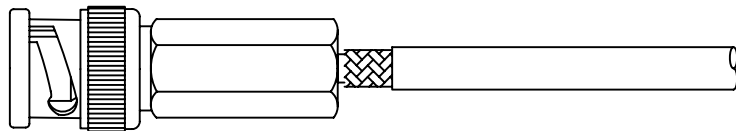
STEP 2.



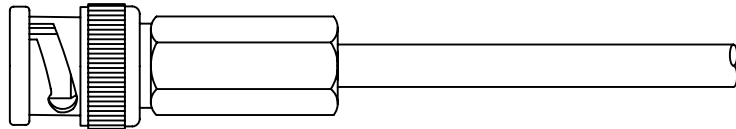
STEP 3.



STEP 4.



STEP 5.



STEP 1. The connector is shown.

STEP 2. Strip the cable inner conductor, dielectric, braid.

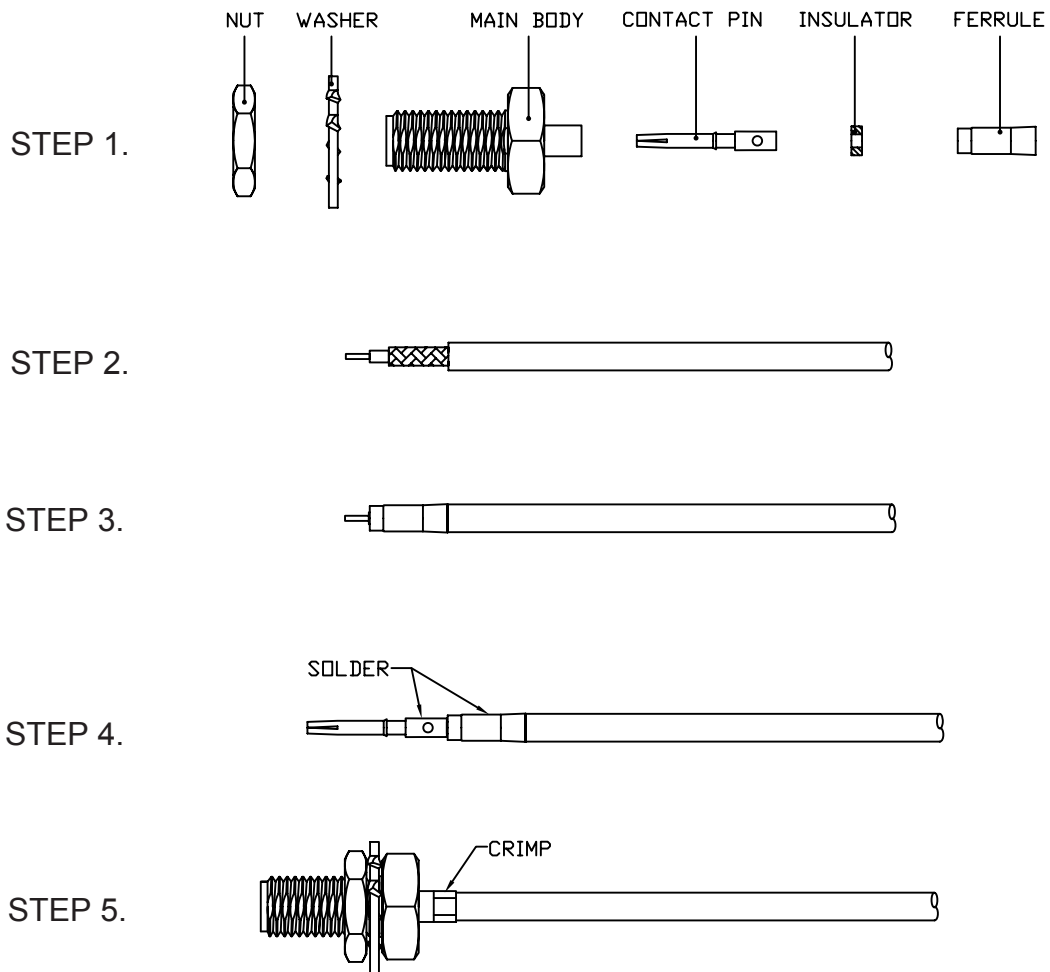
STEP 3. Twist braid in a clockwise direction so that at least 0.8mm of dielectric is bared, and braid is left flat.

STEP 4. Insert inner conductor into the back end of connector gently, and feed it into the guide hole.

STEP 5. Push and screw the connector onto cable in a clockwise direction until it stops.

Cable Assembly Instructions

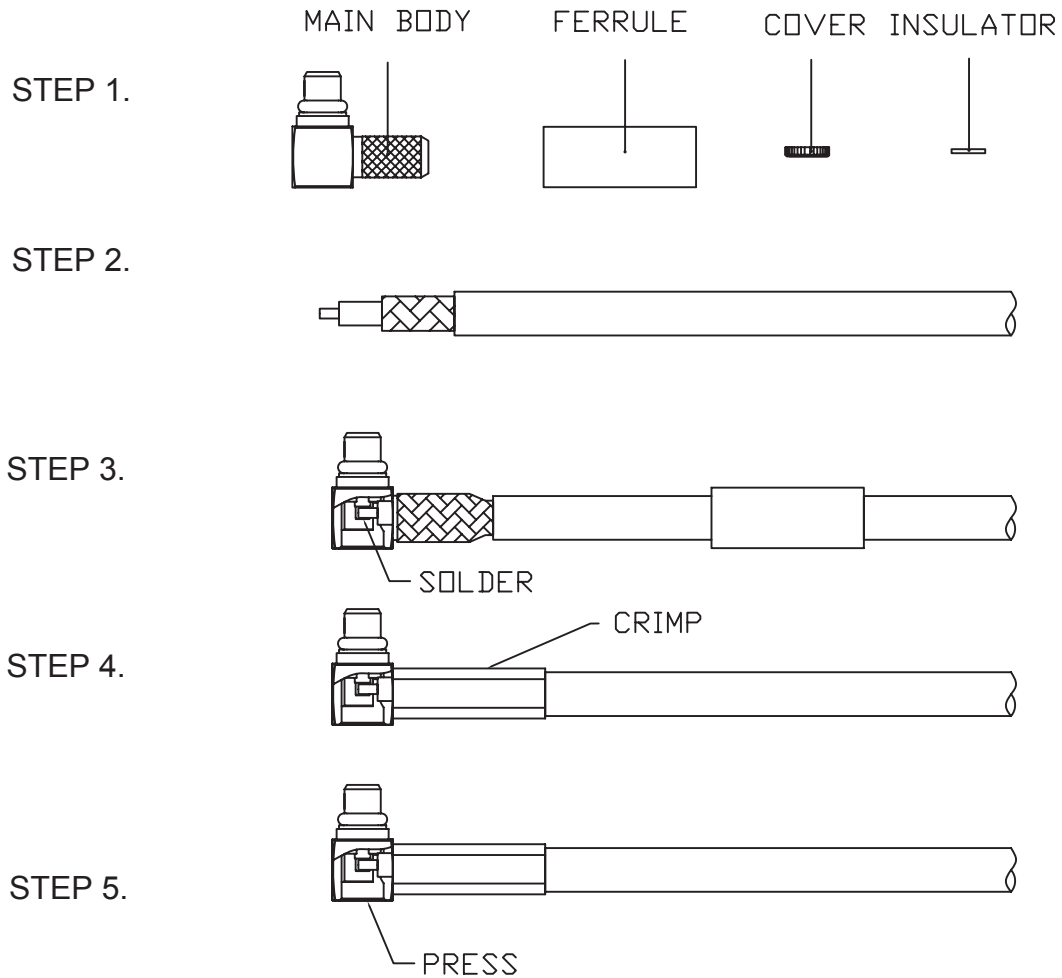
Cable Assembly Instructions-Solder / Crimp



- STEP 1. All parts of the connector are shown.
- STEP 2. Strip the inner conductor, dielectric, braid.
- STEP 3. Slide the FERRULE onto braid and solder, then INSULATOR onto dielectric as shown.
- STEP 4. Insert inner conductor into the CONTACT PIN and solder it as shown.
- STEP 5. Push FERRULE into the MAIN BODY until it stops. Then crimp it as shown.

Cable Assembly Instructions

Cable Assembly Instructions-Solder / Crimp



STEP 1. All parts of the connector are shown.

STEP 2. Strip the inner conductor, dielectric, braid .

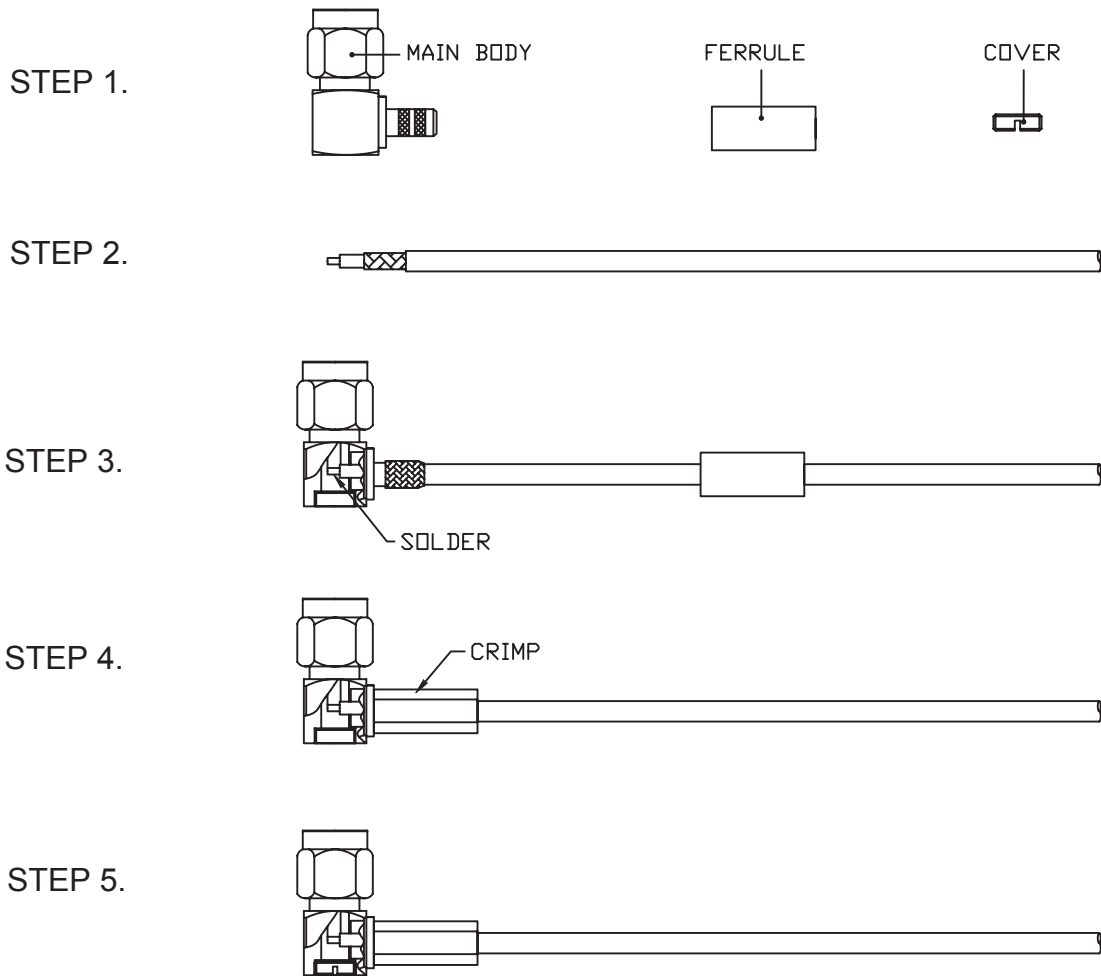
STEP 3. Slide the FERRULE onto cable, insert the MAIN BODY into braid and dielectric, then solder inner conductor to the contact pin of MAIN BODY as shown.

STEP 4. Slide the FERRULE over braid and crimp it .

STEP 5. Press the COVER into the MAIN BODY until it flat with the MAIN BODY.

Cable Assembly Instructions

Cable Assembly Instructions-Solder / Crimp



STEP 1. All parts of the connector are shown.

STEP 2. Strip the cable inner conductor, dielectric, braid.

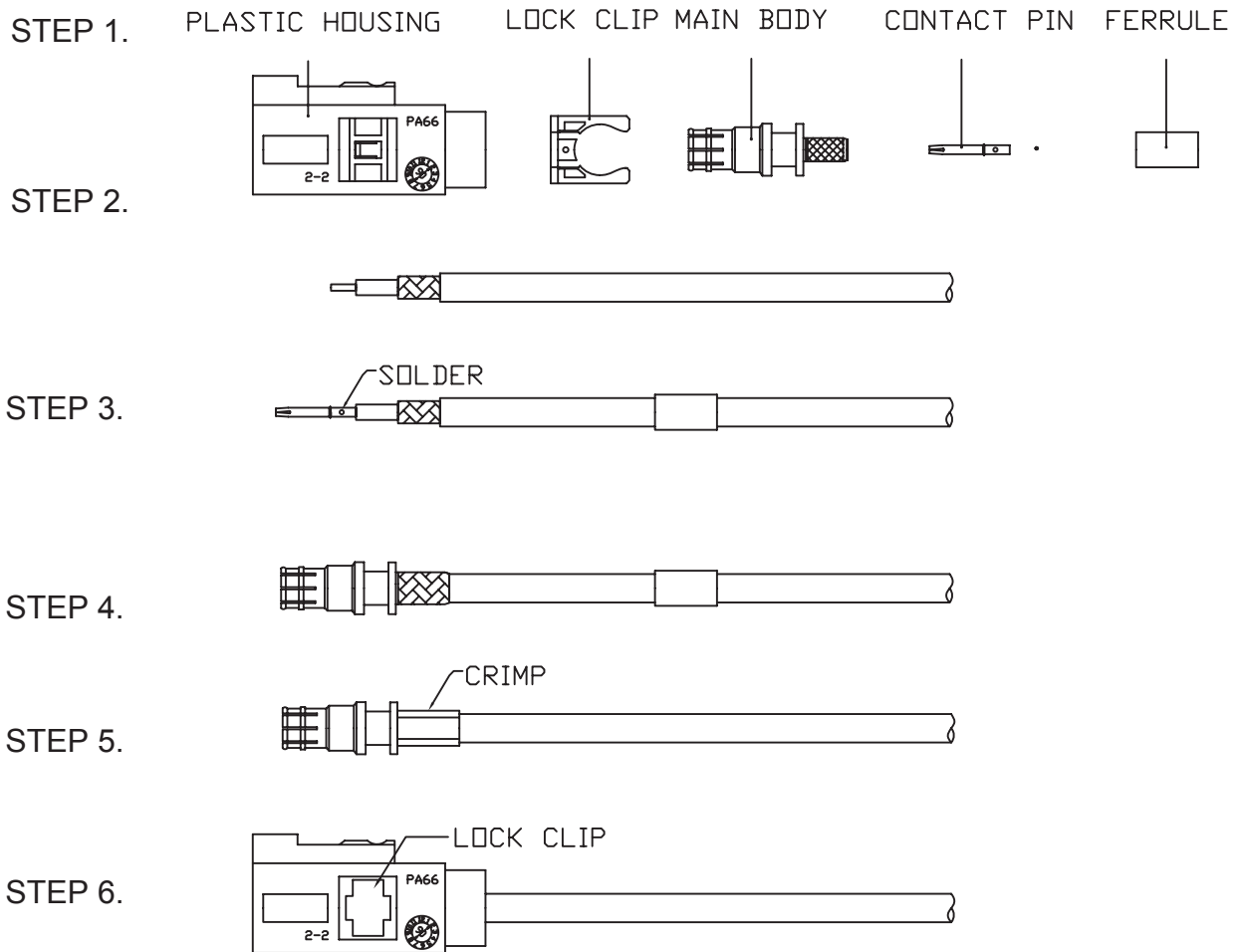
STEP 3. Slide the FERRULE onto cable, insert the MAIN BODY into braid and dielectric, then solder inner conductor to the contact pin of MAIN BODY as shown.

STEP 4. Slide the FERRULE over braid and crimp it.

STEP 5. Screw the COVER into the MAIN BODY until it stops.

Cable Assembly Instructions

Cable Assembly Instructions-Solder / Crimp



STEP 1. All parts of the connector are shown.

STEP 2. Strip the inner conductor, dielectric, braid.

STEP 3. Insert inner conductor into the CONTACT PIN and solder it. Then slide the FERRULE onto cable.

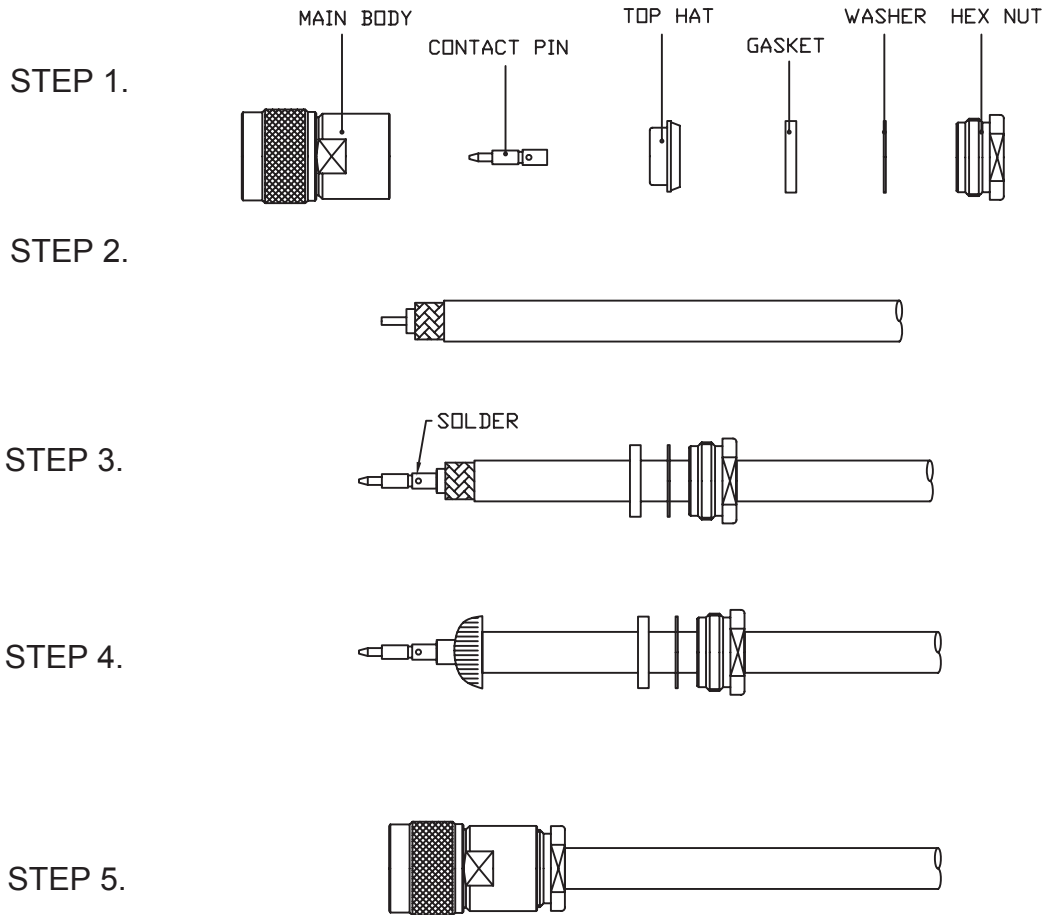
STEP 4. Insert the MAIN BODY into braid and dielectric.

STEP 5. Slide the FERRULE over braid and crimp it .

STEP 6. Insert MAIN BODY into the PLASTIC HOUSING, and press the LOCK CLIP into it.

Cable Assembly Instructions

Cable Assembly Instructions-Clamp / Solder



STEP 1. All parts of the connector are shown.

STEP 2. Strip the inner conductor, dielectric, braid .

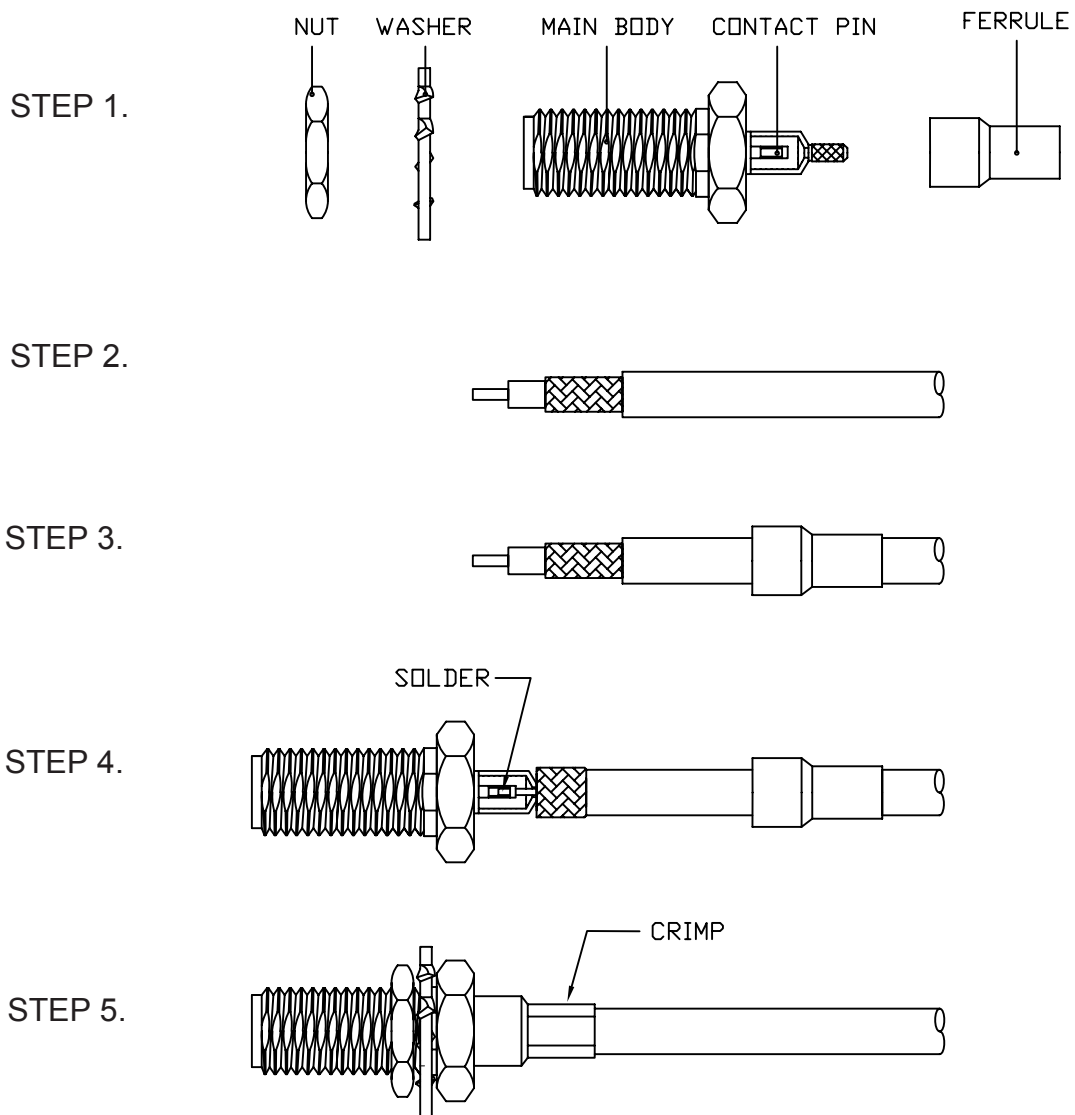
STEP 3. Insert inner conductor into the CONTACT PIN and solder it as shown. Then slide the HEX NUT, WASHER, and GASKET onto cable one by one.

STEP 4. Place the TOP HAT over braid and push back against cable jacket. Fold back braid wire as shown.

STEP 5. Insert cable and parts into the MAIN BODY, then screw the HEX NUT until it is tightened.

Cable Assembly Instructions

Cable Assembly Instructions-Crimp



STEP 1. All parts of the connector are shown.

STEP 2. Strip the inner conductor, dielectric, braid.

STEP 3. Slide the FERRULE onto cable.

STEP 4. Solder inner conductor to contact pin of the MAIN BODY as shown.

STEP 5. Slider the FERRULE over braid; crimp it.