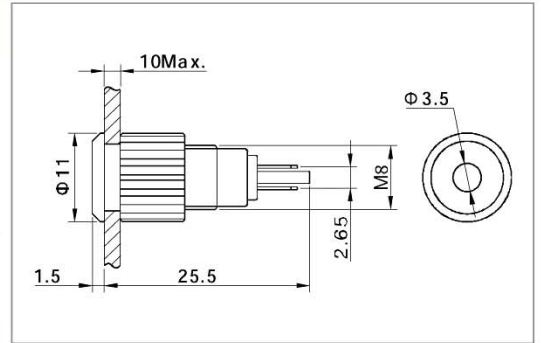


PILOT LAMP



AVSQ8-D

- ⊙ Φ 8mm diameter
- ⊙ Voltage Range:3~48V
- ⊙ Rated Current:15mA
- ⊙ Lamp Type:LED
- ⊙ Lamp Color: **R** **G** **Y** **O** **B** **W**
- ⊙ The crust material:Stainless Steel/
Nikel Plated Brass
- ⊙ IP Degree:IP67

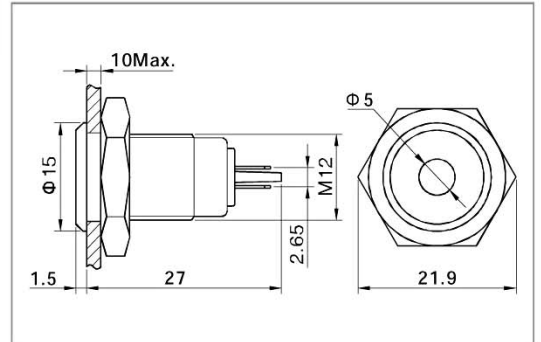


PILOT LAMP



AVSQ12-D

- ⊙ Φ 12mm diameter
- ⊙ Voltage Range:3~48V
- ⊙ Rated Current:15mA
- ⊙ Lamp Type:LED
- ⊙ Lamp Color: **R** **G** **Y** **O** **B** **W**
- ⊙ The crust material:Stainless Steel
- ⊙ IP Degree:IP67



Specification	AVSQ8-D	AVSQ12-D
Terminal Type	Pin Terminal(1.8×0.4mm)	Pin Terminal(1.8×0.4mm)
Dielectric Strength	1100VAC	2000VAC
Operating Temp	-20°C ~ +70°C	-20°C ~ +70°C
Panel Thickness	1 ~ 6mm	1 ~ 6mm
Torque	5 ~ 14Nm	5 ~ 14Nm
IP Degree	IP67	IP67
Material	Button	PC
	Body	Stainless Steel/Nikel Plated Brass
	Base	PBT
	RoHS	Made to order
LED Spec.	Type	Pilot lamp(LED)
	Rated Voltage	6V/12V/24V
	Color	R G Y O B W
	Life	About 40,000 hours

Introduction of product model refer to P1