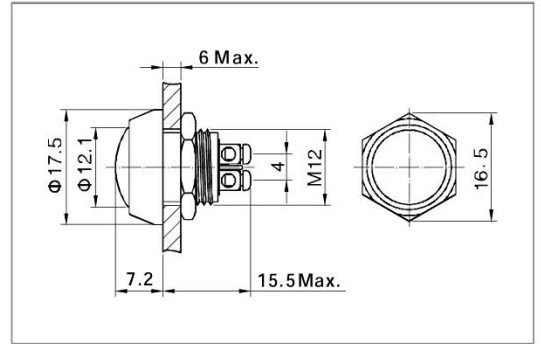


PUSH BUTTON SWITCH



AVSQ12-B

- ⊙ Φ 12mm diameter
- ⊙ 2A/48VDC
- ⊙ 1NO
- ⊙ Domed profile
- ⊙ The crust material: Stainless Steel/
Nikel Plated Brass
- ⊙ IP Degree: IP65

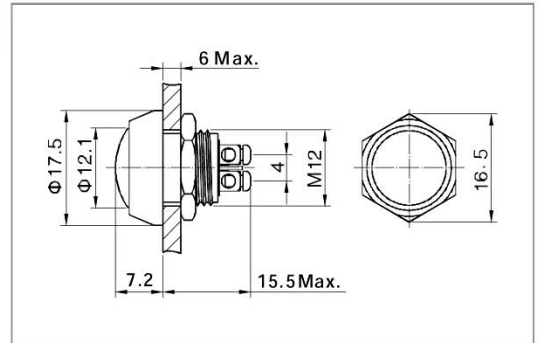


COLOR PUSH BUTTON SWITCH



AVSQ12-B/A

- ⊙ Φ 12mm diameter
- ⊙ 2A/48VDC
- ⊙ 1NO
- ⊙ Domed profile
- ⊙ The crust material: Zn - Al alloy
- ⊙ Material of actuator: PBT
- ⊙ Head Color: R G Y O B W
- ⊙ IP Degree: IP65



Specification	AVSQ12-B	AVSQ12-B/A
Terminal Type	Screw Terminals	Screw Terminals
Switching	No.1	No.1
Max. Switch Rating	2A/48VDC	2A/48VDC
Contact Resistance	$\leq 50m\Omega$	$\leq 50m\Omega$
Insulation Resistance	$\geq 1000M\Omega$	$\geq 1000M\Omega$
Dielectric Strength	2000VAC	2000VAC
Operation Temp.	-20°C ~ +70°C	-20°C ~ +70°C
Mechanical Life	1,000,000cycles	1,000,000cycles
Electrical Life	200,000cycles	200,000cycles
Contact Material	Silver Alloy	Silver Alloy
Panel Thickness	1 ~ 6mm	1 ~ 6mm
Torque	5 ~ 14Nm	5 ~ 14Nm
Operation Pressure	5.5N	5.5N
IP Degree	IP65	IP65
Material	Button	Stainless Steel/Nikel Plated Brass
	Body	Stainless Steel/Nikel Plated Brass
	Base	PBT
Head color	---	R G Y O B W
RoHS	Made to order	Made to order