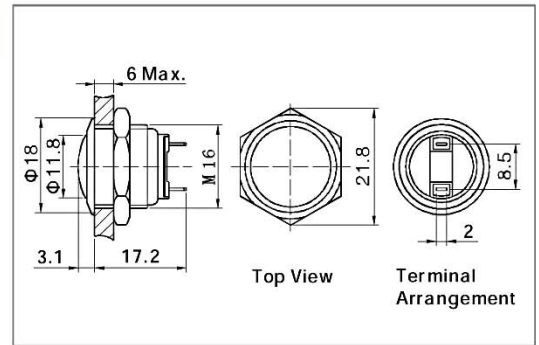


## PUSH BUTTON SWITCH



AVSGQ16-B/J

- ⊙  $\Phi$  16mm diameter
- ⊙ 2A/48VDC
- ⊙ 1NO
- ⊙ Front Shape:Domed
- ⊙ crust material:Stainless Steel/  
Brass(Nikel Plated,Gold Plated)
- ⊙ IP Degree:IP65

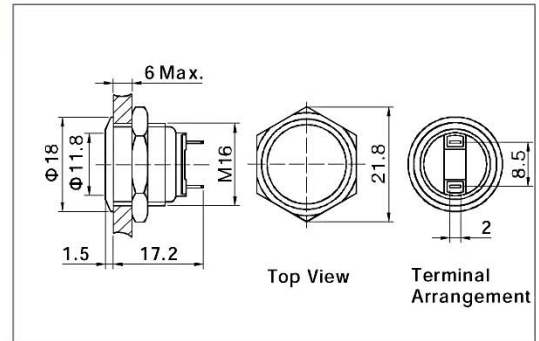


## PUSH BUTTON SWITCH



AVSGQ16-F/J

- ⊙  $\Phi$  16mm diameter
- ⊙ 2A/48VDC
- ⊙ 1NO
- ⊙ Front Shape:Flat Round
- ⊙ Crust material:Stainless Steel/  
Brass(Nikel Plated,Gold Plated)
- ⊙ IP Degree:IP65

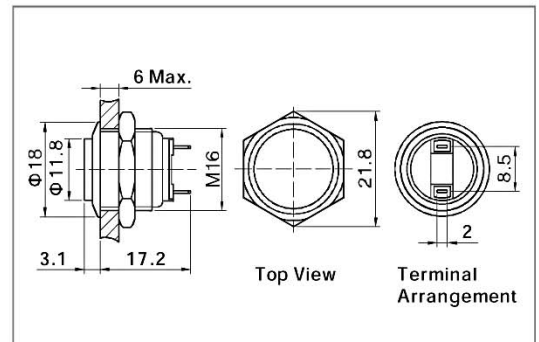


## PUSH BUTTON SWITCH



AVSGQ16-H/J

- ⊙  $\Phi$  16mm diameter
- ⊙ 2A/48VDC
- ⊙ 1NO
- ⊙ Front Shape:High Round
- ⊙ Crust material:Stainless Steel/  
Brass(Nikel Plated,Gold Plated)
- ⊙ IP Degree:IP65



Specification	AVSGQ16-B/J	AVSGQ16-F/J	AVSGQ16-H/J
The Front Shape	Domed	Flat Round	High Round
Terminal Type	Pin Terminal(2×0.5mm)	Pin Terminal(2×0.5mm)	Pin Terminal(2×0.5mm)
Switching	No.1	No.1	No.1
Max.Switch Rating	2A/48VDC	2A/48VDC	2A/48VDC
Contact Resistance	≤ 50mΩ	≤ 50mΩ	≤ 50mΩ
Insulation Resistance	≥ 1000MΩ	≥ 1000MΩ	≥ 1000MΩ
Dielectric Strength	2000VAC	2000VAC	2000VAC
Operation Temp.	-20°C ~ +70°C	-20°C ~ +70°C	-20°C ~ +70°C
Mechanical Life	1,000,000cycles	1,000,000cycles	1,000,000cycles
Electrical Life	200,000cycles	200,000cycles	200,000cycles
Contact Material	Silver Alloy	Silver Alloy	Silver Alloy
Panel Thickness	1 ~ 6mm	1 ~ 6mm	1 ~ 6mm
Torque	5 ~ 14Nm	5 ~ 14Nm	5 ~ 14Nm
Operation Pressure	5.5N	5.5N	5.5N
IP Degree	IP65	IP65	IP65
Material	Button	Stainless Steel/Brass(Nikel Plated,Gold Plated)	Stainless Steel/Brass(Nikel Plated,Gold Plated)
	Body	Stainless Steel/Brass(Nikel Plated,Gold Plated)	Stainless Steel/Brass(Nikel Plated,Gold Plated)
	Base	PBT	PBT
RoHS	Made to order	Made to order	Made to order

Introduction of product model refer to P1