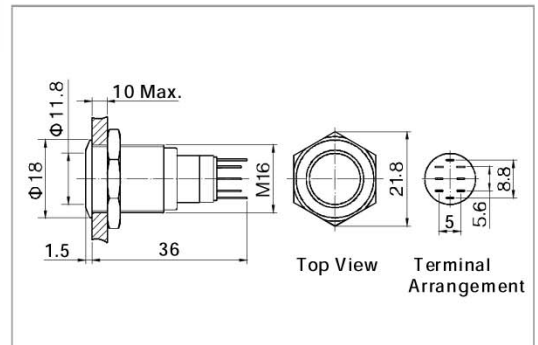


PUSH BUTTON SWITCH



AVSLAS2GQF-□□□

- ⊙ Φ 16mm diameter
- ⊙ 3A/250VAC
- ⊙ 1NO1NC/2NO2NC
- ⊙ Front Shape: Flat Round
- ⊙ Crust material: Stainless Steel/
Brass (Nikel Plated, Gold Plated)
- ⊙ IP Degree: IP40/IP67

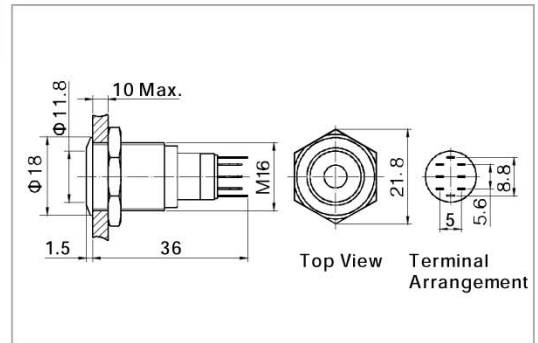


PUSH BUTTON SWITCH



AVSLAS2GQF-□□□D

- ⊙ Φ 16mm diameter
- ⊙ 3A/250VAC
- ⊙ 1NO1NC/2NO2NC
- ⊙ Front Shape: Flat Round
- ⊙ Crust material: Stainless Steel/
Brass (Nikel Plated, Gold Plated)
- ⊙ Dot Illuminated
- ⊙ IP Degree: IP40/IP67

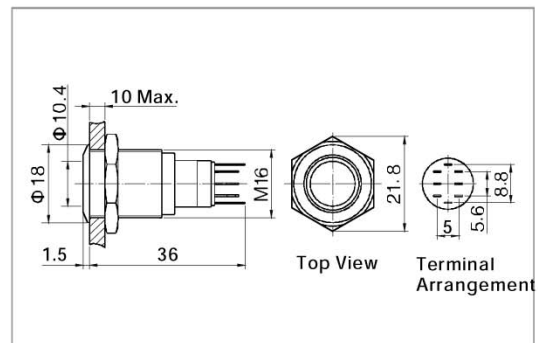


PUSH BUTTON SWITCH



AVSLAS2GQF-□□□E

- ⊙ Φ 16mm diameter
- ⊙ 3A/250VAC
- ⊙ 1NO1NC/2NO2NC
- ⊙ Front Shape: Flat Round
- ⊙ Crust material: Stainless Steel/
Brass (Nikel Plated, Gold Plated)
- ⊙ Ring Illuminated
- ⊙ IP Degree: IP40/IP67

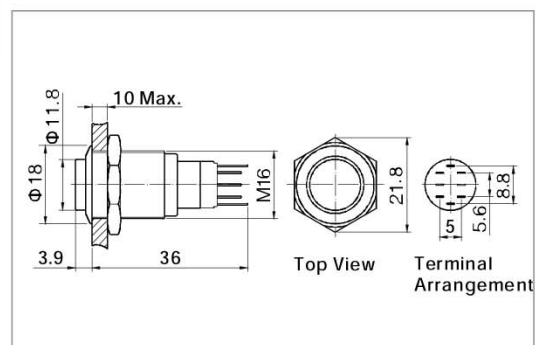


PUSH BUTTON SWITCH



AVSLAS2GQH-□□□

- ⊙ Φ 16mm diameter
- ⊙ 3A/250VAC
- ⊙ 1NO1NC/2NO2NC
- ⊙ Front Shape: High Round
- ⊙ Crust material: Stainless Steel/
Brass (Nikel Plated, Gold Plated)
- ⊙ IP Degree: IP40/IP67

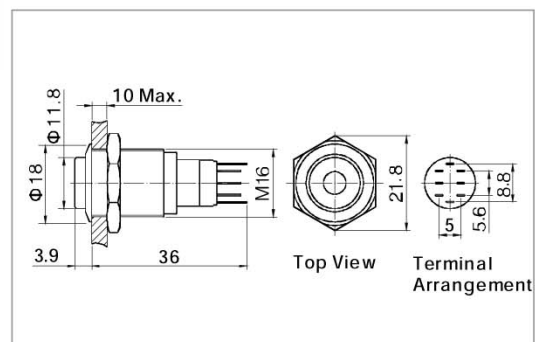


PUSH BUTTON SWITCH



AVSLAS2GQH-□□□D

- ⊙ Φ 16mm diameter
- ⊙ 3A/250VAC
- ⊙ 1NO1NC/2NO2NC
- ⊙ Front Shape: High Round
- ⊙ Crust material: Stainless Steel/
Brass (Nikel Plated, Gold Plated)
- ⊙ Dot Illuminated
- ⊙ IP Degree: IP40/IP67



Introduction of product model refer to P1