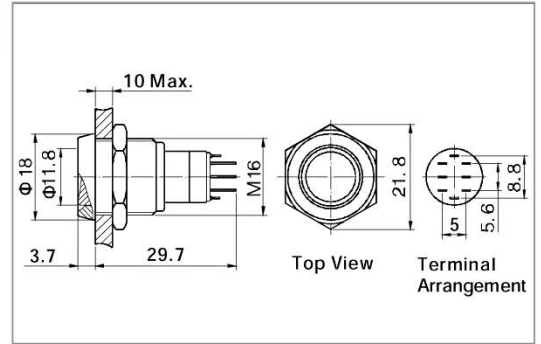


PUSH BUTTON SWITCH



AVSLAS2GQC-□□□

- ⊙ Φ16mm diameter
- ⊙ 3A/250VAC
- ⊙ 1NO1NC/2NO2NC
- ⊙ The Front Shape:Concave Round
- ⊙ The crust material:Stainless Steel/ Brass(Nikel Plated,Gold Plated)
- ⊙ IP Degree:IP67

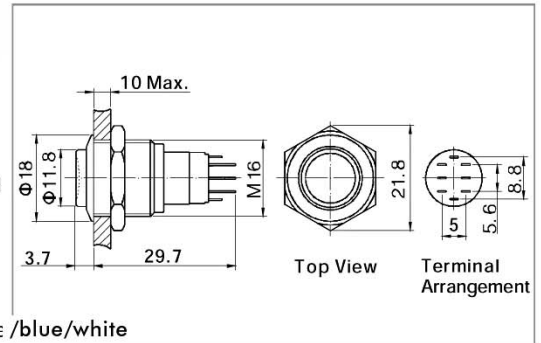


PUSH BUTTON SWITCH



AVSLAS2GQG-□□□

- ⊙ Φ16mm diameter
- ⊙ 3A/250VAC
- ⊙ 1NO1NC/2NO2NC
- ⊙ The Front Shape:High Concave Round
- ⊙ The crust material:Stainless Steel/ Brass(Nikel Plated,Gold Plated)
- ⊙ IP Degree:IP67
- ⊙ Head Color:red/green/yellow/orange/blue/white



Specification	AVSLAS2GQC- □□□	AVSLAS2GQG- □□□
The Front Shape	Concave Round	High Concave Round
Terminal Type	Pin Terminal	Pin Terminal
Switching	No.3	No.3
Max. Switch Rating	3A/250VAC	3A/250VAC
Contact Resistance	≤ 50mΩ	≤ 50mΩ
Insulation Resistance	≥ 1000MΩ	≥ 1000MΩ
Dielectric Strength	2000VAC	2000VAC
Operation Temp.	-20°C ~ +70°C	-20°C ~ +70°C
Mechanical Life	200,000cycles	200,000cycles
Electrical Life	50,000 cycles	50,000 cycles
Contact Material	Silver Alloy	Silver Alloy
Panel Thickness	1 ~ 10mm	1 ~ 10mm
Torque	5 ~ 14Nm	5 ~ 14Nm
Operation Pressure	1~3N	1~3N
IP Degree	IP67	IP67
Head color	—	R G Y O B W
RoHS	Made to order	Made to order
Material	Button	Stainless Steel/Brass(Nikel Plated,Gold Plated)
	Body	Stainless Steel/Brass(Nikel Plated,Gold Plated)
	Base	PBT

Introduction of product model refer to P1