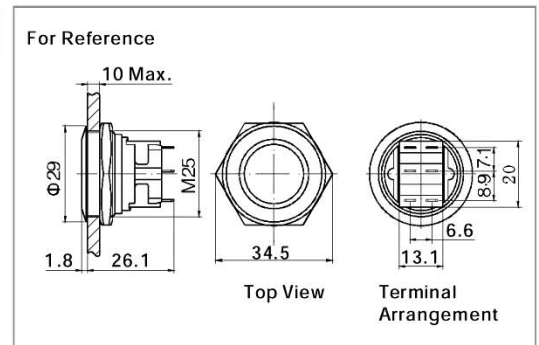


PUSH BUTTON SWITCH



AVSQ25-B

- ⊙ Φ 25mm diameter
- ⊙ 5A/250VAC
- ⊙ 1NO1NC/2NO2NC
- ⊙ Switching:No.3
- ⊙ The Front Shape:Flat Round
- ⊙ The crust material:Stainless Steel/
Brass(Nikel Plated,Gold Plated)
- ⊙ IP Degree:IP67



Introduction of product model refer to P1