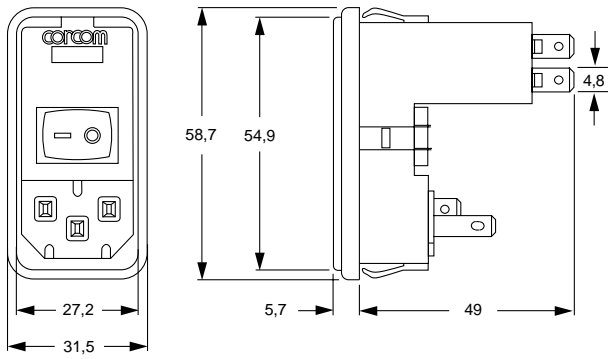
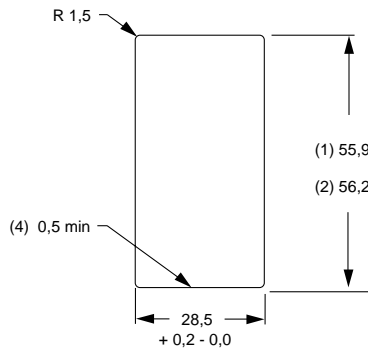


Case Styles and typ. Sizes for Types without Filter

PSO

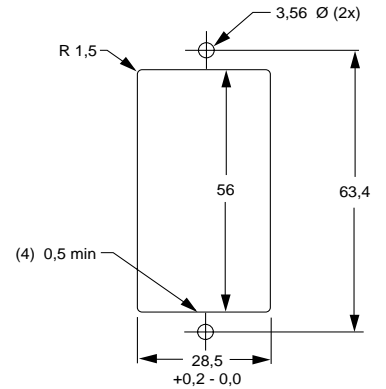
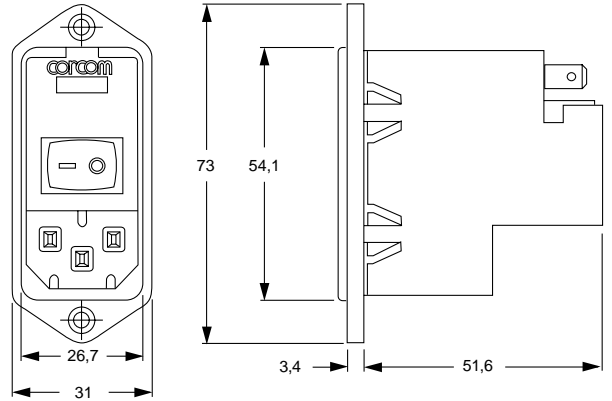


Rear view



Panel cutout without shield

PMO



Panel cutout with shield and filter

Note 4:

For snap-in application, the 26.9 mm sides of the cutout must have a 0.5 mm radius on the installation side

Panel thickness:

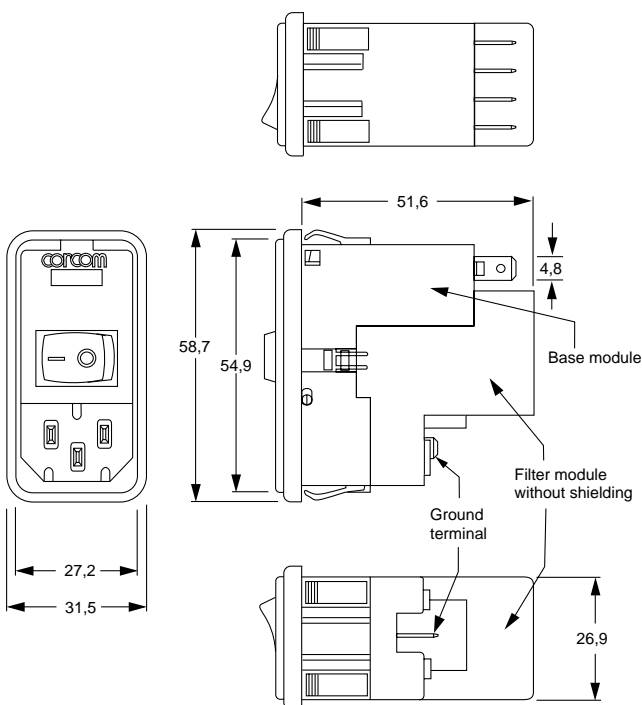
- 1) 0,8 - 2,0 mm
- 2) 2,1 - 2,9 mm
- 3) 1,5 - 2,3 mm

Note 5:

Terminals = 4,8 x 0,8mm; except Z and L version = 6,3mm

Case Styles and typ. Sizes for Types with Filter

PS with filter without shielding



PE with filter and shielding type A

