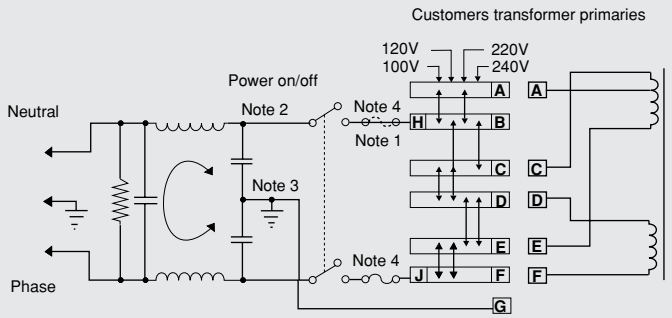
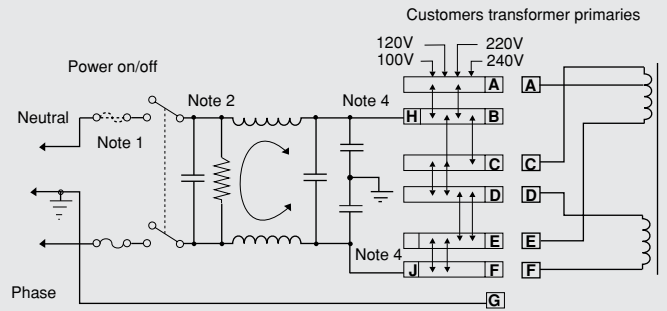


## Electrical Schematic

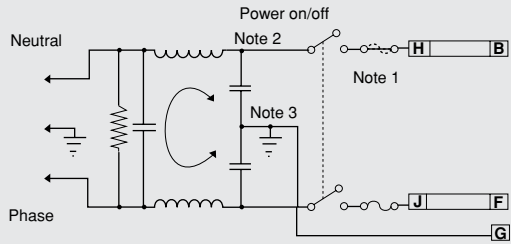
### FM & HM models for 2 and 4 voltages



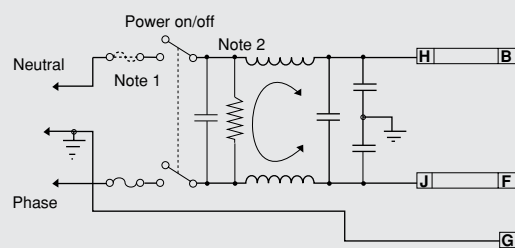
### XM & ZM models for 2 and 4 voltages



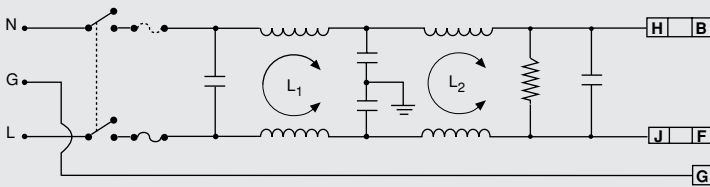
### FM & HM models for 1 voltage



### XM & ZM models for 1 voltage



### F-3374



Note 1: Provision for dual fusing (Euro standard)

Note 2: Power on/off switch with suffix "S" only

Note 3: HM models without Y-capacitors

Note 4: Switch or bridge between K-H and L-J  
Two more K- and L-connectors by 5EFM4

## Voltage Selection

Before changing selected voltage, disconnect power cord

- Open cover using a small screwdriver or equivalent and store fuse block in a safe place.
- Using the indicator pin, pull voltage selector card straight out of housing.
- Turn card until desired voltage becomes readable at the bottom.
- Place indicator pin pointing up when desired voltage is readable at the bottom.
- Insert voltage selector card into the housing with printed side facing toward the IEC connector and indicator pin toward case maker.
- Replace fuse block and cover making sure that the indicator pin shows the desired voltage.

### Selection of various power line voltages



100V

120V

230V

240V

## Typ. Insertion Loss

asym. — sym. —

