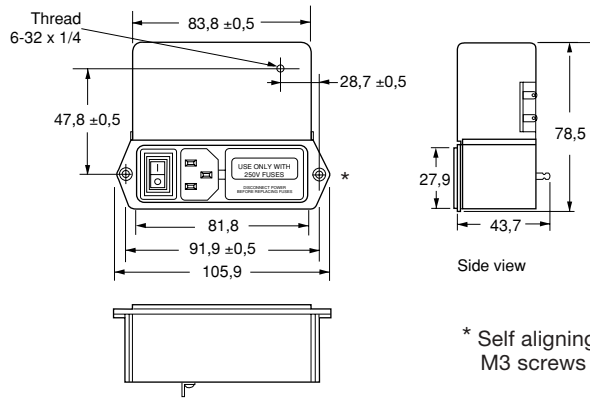


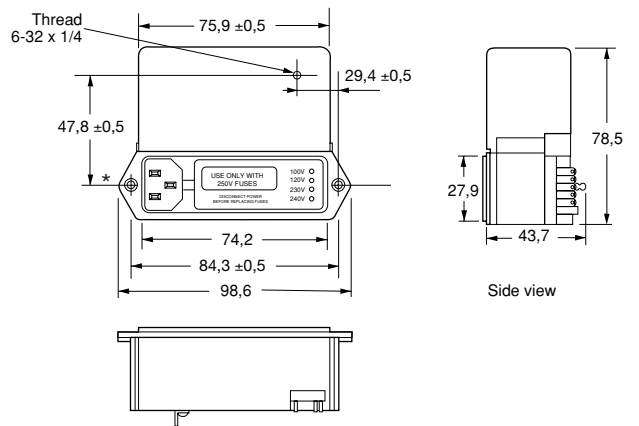
3EXM1S/3EZM1S/F-3374

IEC connector, DPST on/off switch, selectable fuse holder



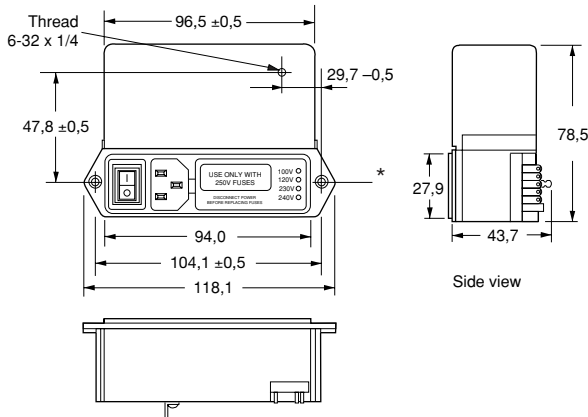
3EXM4/3EZM4

IEC connector, voltage selector, selectable fuse holder



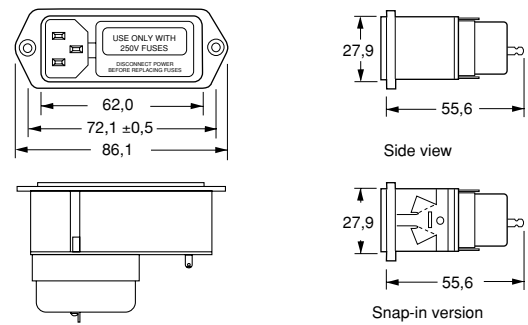
3EXM4S/3EZM4S

IEC connector, DPST on/off switch, voltage selector, selectable fuse holder



5EHM1 / 5EFM1

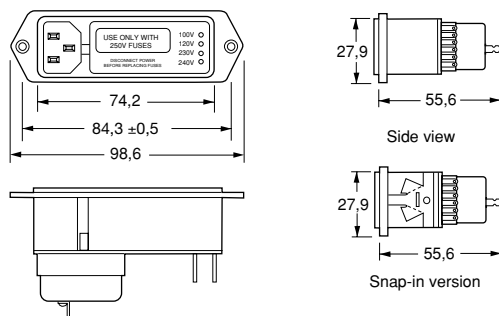
IEC connector, selectable fuse holder



All backplate terminals 2.8 mm flat type plugs/holes 1.4 Dia ±0,1
Exception: Solder lug ground terminal (wire wrap suitable) mounting holes 3.9 Dia.

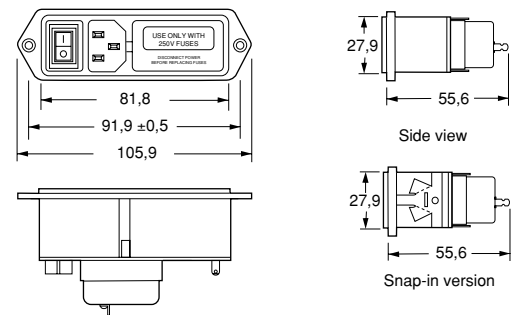
5EHM4 / 5EFM4

IEC connector, voltage selector, selectable fuse holder. Connection of external Switch



5EHM1S / 5EFM1S

IEC connector, DPST on/off switch, selectable fuse holder



Typ. Insertion Loss

asym. — sym. —

