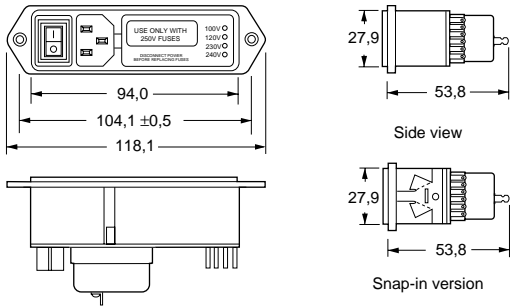


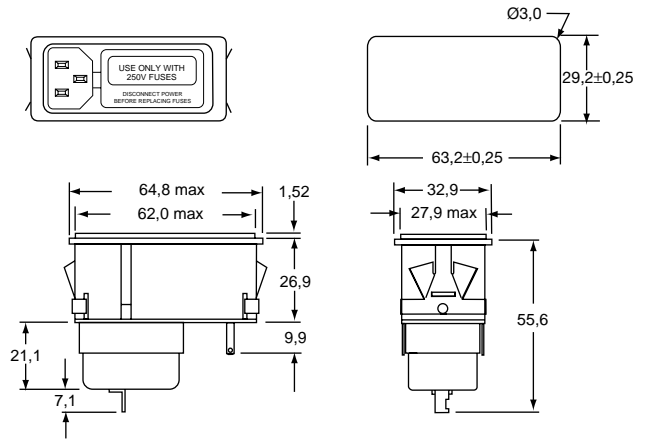
5EHM4S / 5EFM4S

IEC connector, DPST on/off switch, voltage selector, selectable fuse holder



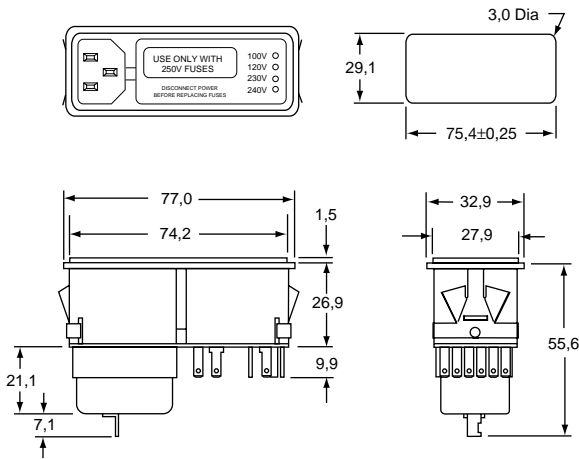
5EFM1C

IEC connector, selectable fuse holder, snap-in



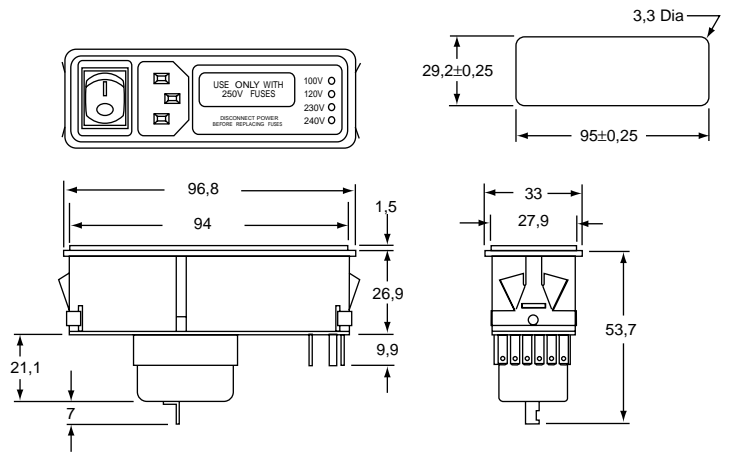
5EFM4C

IEC connector, voltage selector, selectable fuse holder, snap-in



5EFM4SC

IEC connector, DPST on/off switch, voltage selector, selectable fuse holder, snap-in



5EFM1SC

IEC connector, DPST on/off switch, selectable fuse holder, snap-in

