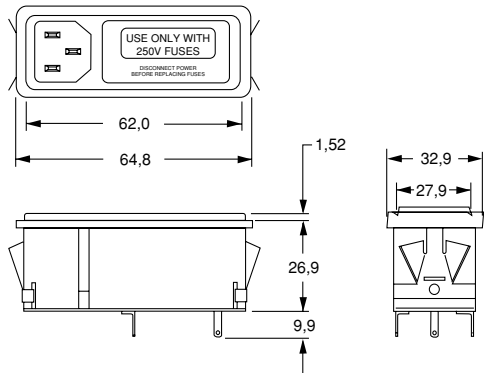


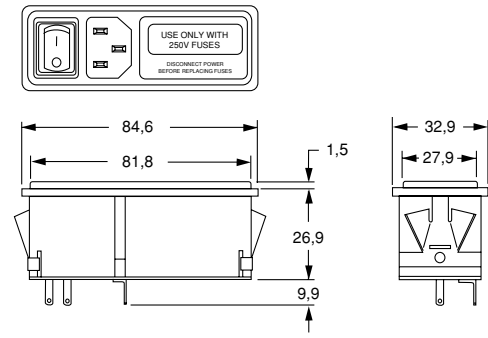
6VM1C

IEC connector, selectable fuse holder, snap-in



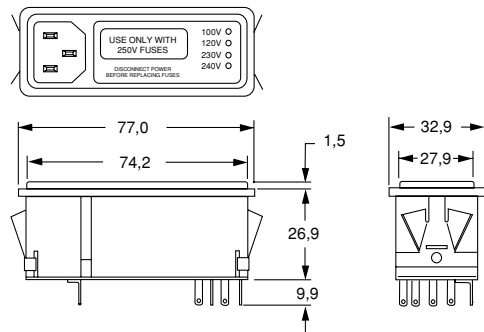
6VM1SC

IEC connector, DPST on/off switch, selectable fuse holder, snap-in



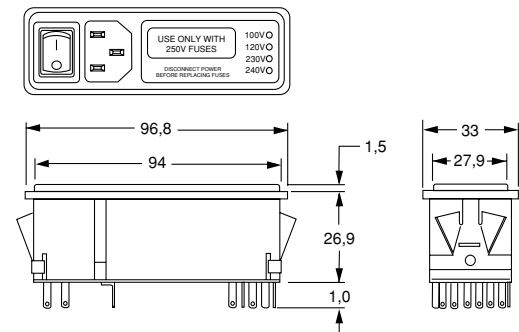
6VM4C

IEC connector, DPST on/off switch, selectable fuse holder, snap-in



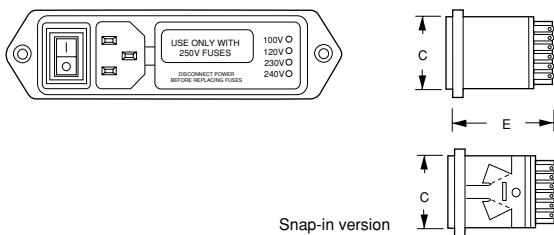
6VM4SC

IEC connector, DPST on/off switch, selectable fuse holder, snap-in



6VM4S/6VM2S

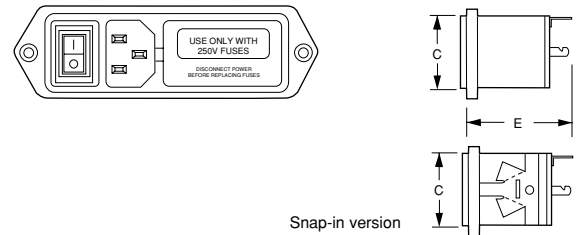
IEC connector, DPST on/off switch, voltage selector, selectable fuse holder



Snap-in version

6VM1S

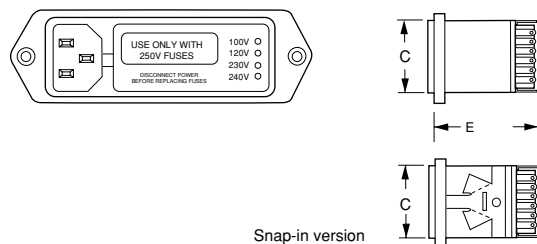
IEC connector, DPST on/off switch, selectable fuse holder



Snap-in version

6VM4/6VM2

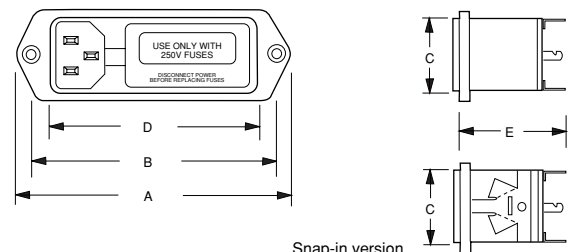
IEC connector, voltage selector, selectable fuse holder



Snap-in version

6VM1

IEC connector, selectable fuse holder



Snap-in version

Typ. dimensions

All backplate terminals 2.8 Dia. Exception: slider lug ground terminal (wire wrap suitable) mounting holes 3.94 Dia. Holes 1.4 Dia±0.1

VM-models suitable for front and back mounting