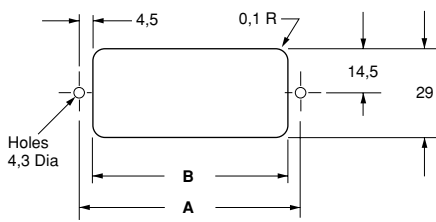
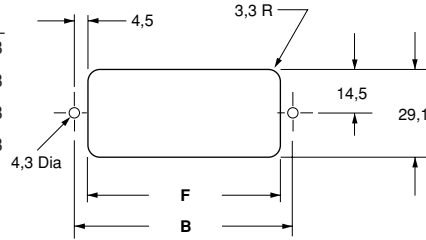


Power Entry Module without Filter

Type	Case sizes					
	A (max)	B ($\pm 0,25$)	C (max)	D (max)	E (max)	F (max)
6VM1	86,1	72,1	27,9	62,0	36,8	63,5
6VM1C	64,8	-	27,9	62,0	36,8	63,5
6VM1S	105,9	91,9	27,9	81,8	36,8	83,3
6VM1SC	84,6	-	27,9	81,8	36,8	83,3
6VM2	98,6	84,3	27,9	74,2	36,8	75,7
6VM2S	118,1	104,1	27,9	94,0	36,8	95,5
6VM4	98,6	84,3	27,9	74,2	36,8	75,7
6VM4C	77,0	-	27,9	74,2	36,8	75,7
6VM4S	118,1	104,1	27,9	94,0	36,8	95,5
6VM4SC	96,8	-	27,9	94,0	36,8	95,5



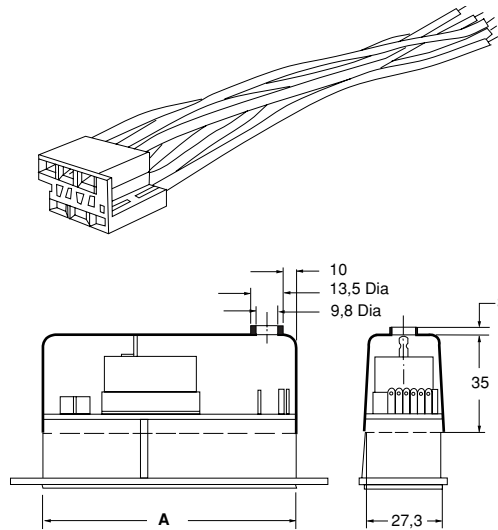
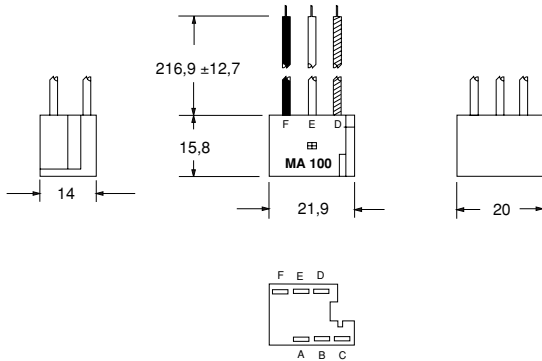
	A	B
xxxM1:	72,1 $\pm 0,5$	63,3 $\pm 0,3$
xxxM1S:	91,9 $\pm 0,5$	83,1 $\pm 0,3$
xxxM4:	84,3 $\pm 0,5$	75,4 $\pm 0,3$
xxxM4S:	104,1 $\pm 0,5$	95,2 $\pm 0,3$



VM und FM models suitable for front and back mounting.
XM and ZM models for back mounting only

Accessories for M-Modules

These plugs have been designed for all M-Series modules in order to accomplish simple connection.
Plugs are available with or without colour coded wire leads.



	Part No.
Assembly	MA - 100
Plug only	MA - 101
Pins on stripes (100)	MA - 102
Pins on reel (7000)	MA - 103

Note for tools: pliers/Molex:HTR 2445 A

Shroud-lupolen (HDPE/MDPE)

for M1 - versions (62,0)	41 - 3116 - AO
for M4 - versions (74,0)	41 - 3115 - AO
for M1S - versions (81,8)	41 - 3114 - AO
for M4S - versions (94,0)	41 - 3113 - AO

Material UL-94/2 listed



Medical safety bracket kit for use with HM models (UL - 544)	MA - 400
--	----------



Voltage selection card

120V / 240V (VM2)	MA - 302
100V / 120V / 230V / 240V (VM4)	MA - 304

The modules are standard delivered with one card