

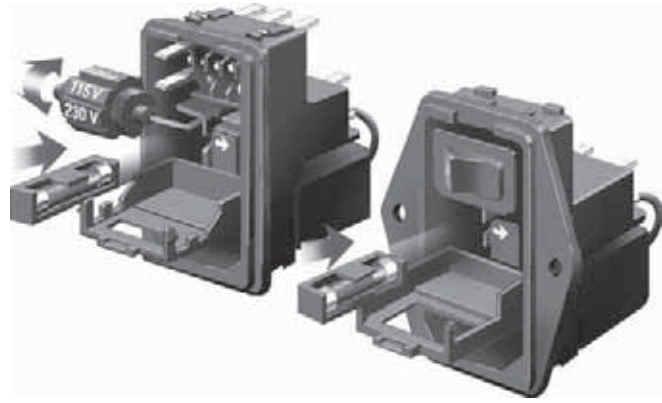
Voltage Selection

Before changing selected voltage, disconnect power cord. Open cover using a small screwdriver or equivalent. Rotate voltage selector to the desired voltage and replace cover.

Ordering notes:

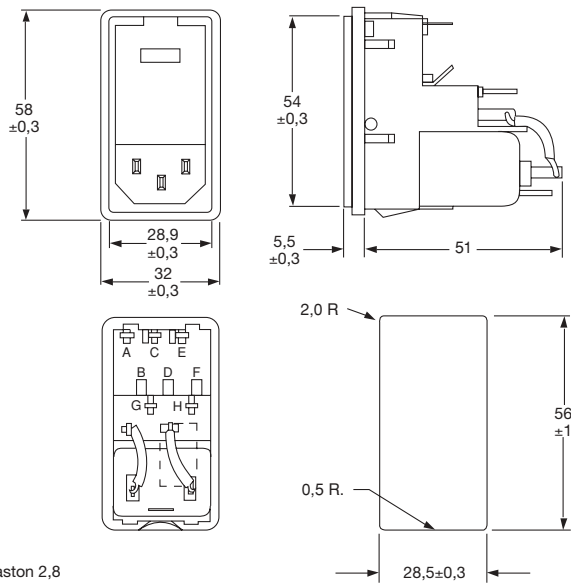
with **M** = Fuse block for 2/5 x 20 DIN fuses
Without **M** = Fuse block for 1/6,3 x 32 DIN fuses

Further combinations voltage selector/fuse block on request.



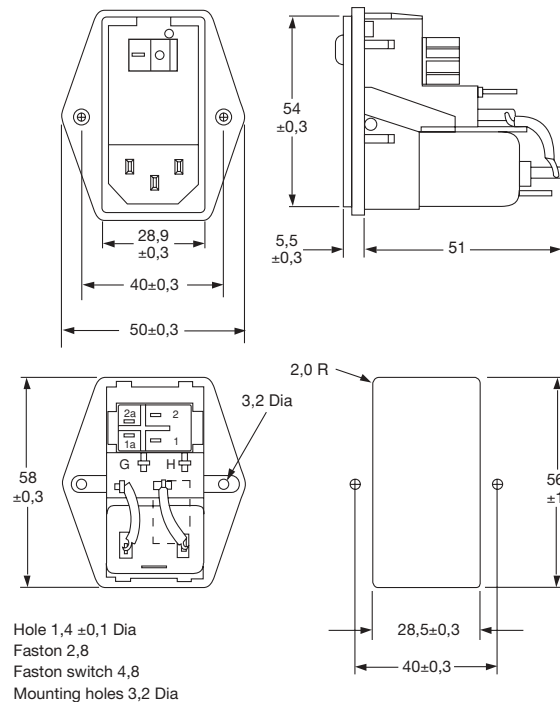
Case Styles and typ. Sizes

Snap-in version



Faston 2,8
Faston switch 4,8
Panel thickness
0,8-2,0 mm 55,9±0,2 2,1-3,2 mm 56,2±0,2
For snap-in version the cutout measuring 28.5 must have a 0.5 mm round off on the mounting side.

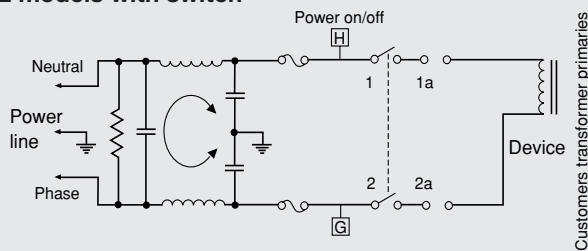
Flange mounted version



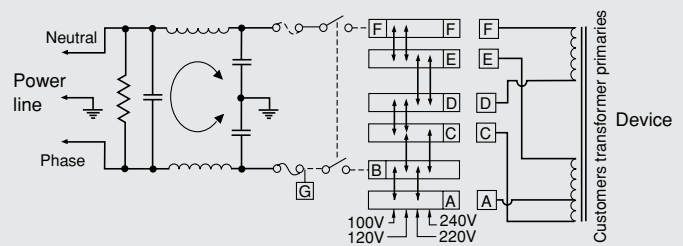
Hole 1,4 ±0,1 Dia
Faston 2,8
Faston switch 4,8
Mounting holes 3,2 Dia

Electrical Schematic

DL models with switch



DL models with 4 Voltages



Note: EHL-models without Y-capacity

Typ. Insertion Loss in dB

asym. — sym. —

