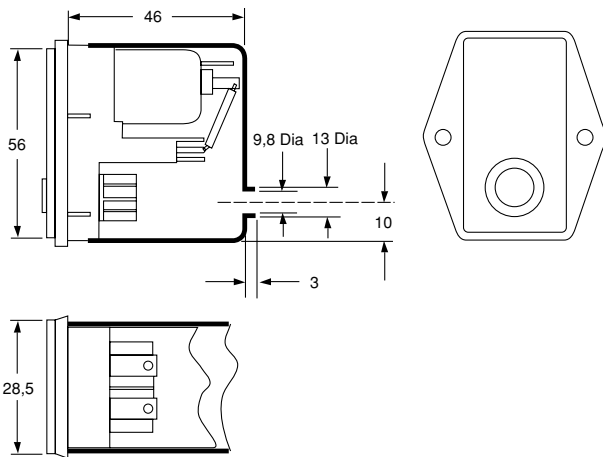


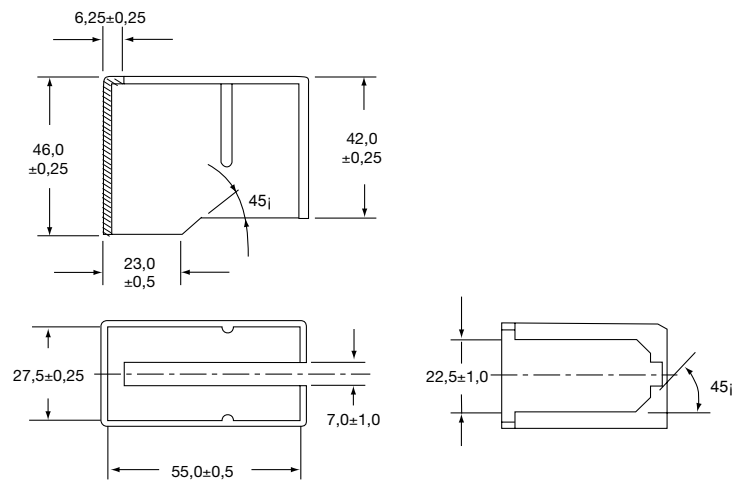
41-3150-AO

Round cable fitting



41-3150-AA

Flat cable fitting



Color black, material UL-94

Part No.

Shroud

Round cable fitting
Flat cable fitting

41-3150-AO
41-3150-AA



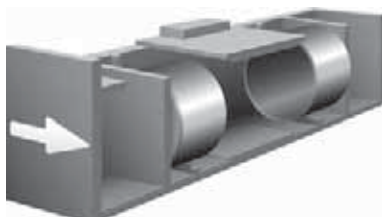
Voltage selection drum

for use with all L4 models

115V / 115V / 230V / 230V
110V / 230V / 240V
100V / 120V / 230V / 240V
115V / 230V
100V / 120V / 220V / 240V

72-2695-BO
72-2954-AO
72-2695-AO
72-2955-AO
72-2695-CO

The EDL- / EHL-Series are by standard equipped and held in stock with a voltage selector for 100V/120V/220V/240V as well as one fuse holder for North American fuses (6,3 x 32 mm) or two holders for European fuses (5 x 20 mm with "M" design). Different requirements regarding voltage selection or fuse holders can either be realized by parts offered as accessories or taken into consideration directly from manufacturing in case of sufficient order volume and delivery time.



Fuse holder

Accommodates DIN-fuse
5 x 20 mm

81-2694-AO

Accommodates North American fuse
6,3 x 32 mm

81-2693-AO

Standard

With 1 fuse: North American fuse holder

With 2 fuses: 2 x DIN fuse holder