

Power Entry Module with IEC Connector and Switch

F-3558

Fuse holder (5 x 20) and filter



according IEC 950

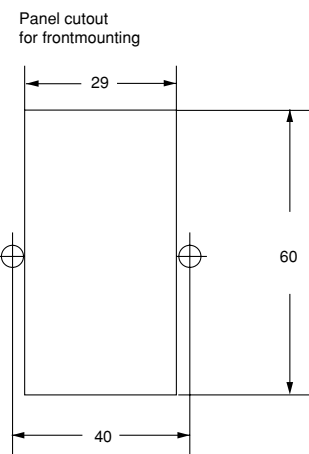
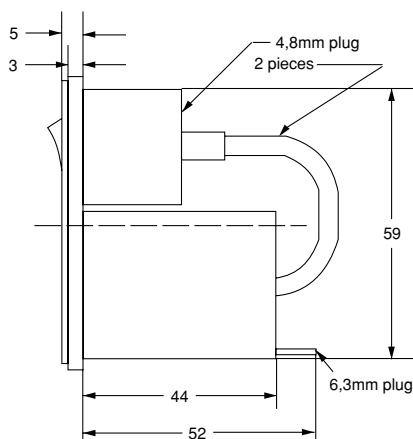
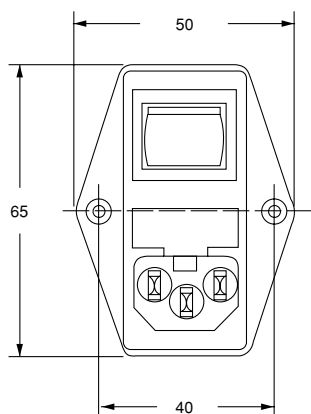
corcom



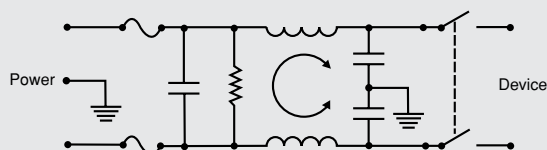
Type	Max. current VDE	Max. leakage current line to ground	Inductance L_1	Capacity		
				C_x	C_y	
F-3558	6A	0,5 mA with 250VAC/50Hz	2 x 0,93mH	0,1 μ F	2x3nF	with discharge resistor 1 MK

On request also available in 1A and 3A units.

Case Style and typ. Sizes



Electrical Schematic



Typ. Insertion Loss in dB

asym. — sym. —

