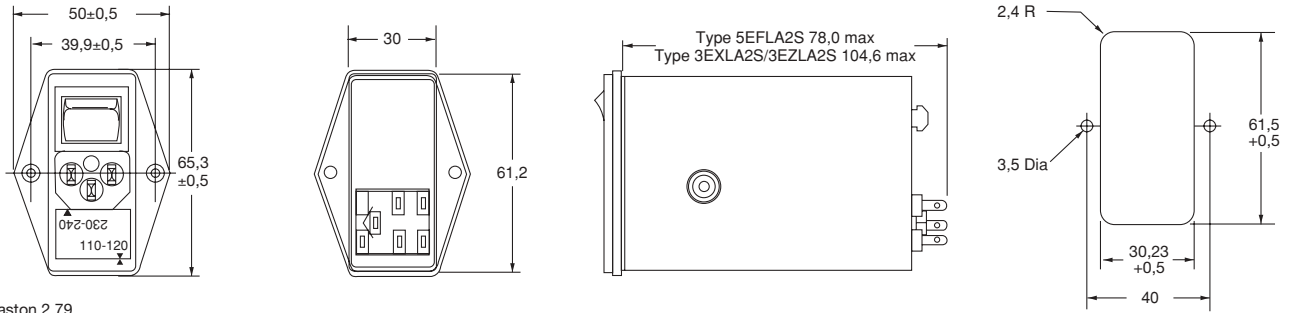


Case Styles and typ. Sizes

5EFLA2S, 3EXLA2S & 3EZLA2S, F-7332A



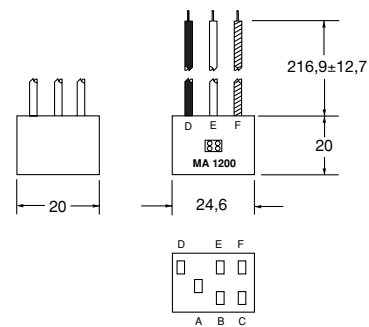
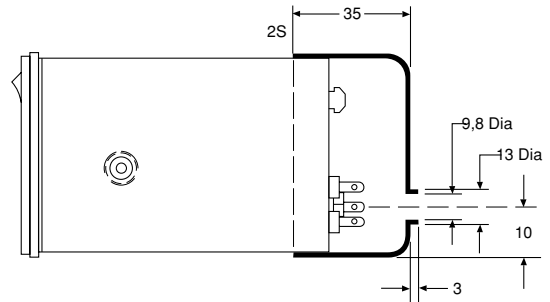
Faston 2,79
 Faston switch 2,79 Hole 3,20 Exception: Solder lug ground terminal (Wire wrap suitable).
 By using 6.3 x 32 fuses use left insertion.

Accessories for LA - Series and F7332A

Cover

Part No.

41 - 3116 - A0
 Material UL-94



Assembly

These plugs have been designed for all LA-Series + F-7332 modules in order to accomplish simple connection. Plugs are available with or without colour coded wire leads.

Assembly	MA - 1200
Plug only	MA - 1201
Pins on stripes (100)	MA - 102
Pins on reel (7000/MBM)	MA - 103