

Power Entry Modules with/without Filters

J-Series

- Voltage selector, fuse and IEC-connector
- Selectable voltages
- Type 6J4 with attached interference suppression filter



according IEC 950

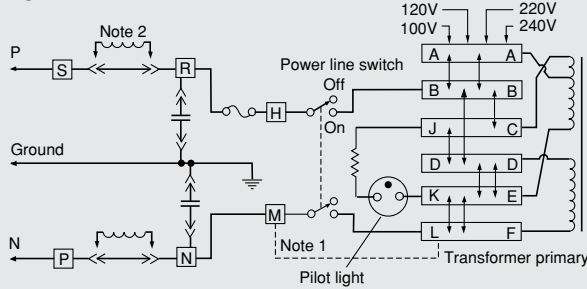


Type	Max. current UL/VDE	Inductance	Capacity		Power connector	Terminals	
			C _x	C _y			
6VJ1	6A				According to UL- and IEC-standards as well as CEE-public. 22 Typ VI	Back plane terminals suitable for soldering, wire wrap and crimp-on lugs such as MOLEX Nr.2123	Without filter
6J4	6A	2x0,46mH	0,009µF	2x2,8nF			With filter

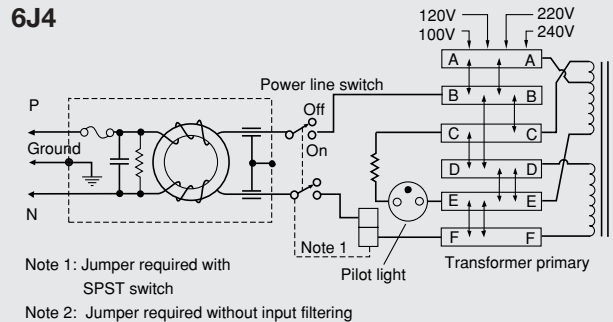
Max. leakage current line to ground: type 6VJ1 5 µA, type 6J4 0,5 mA at 250 VAC/50 Hz

Electrical Schematic

6VJ1

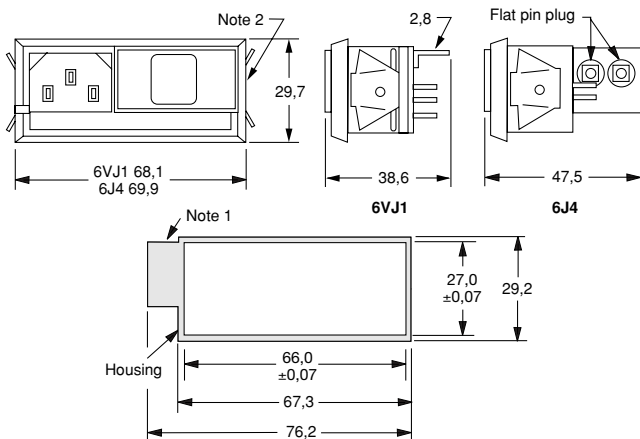


6J4



Case Styles and typ. Sizes

Mounting diagram Note 1: Fuse cover window open Note 2: Panel thickness 1.5-2.2 mm



Accessories J-Series



Voltage selector card
115V / 230V
100V / 120V / 230V / 240V*

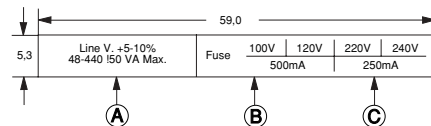
Part No.

JA - 302
JA - 304

* Standard

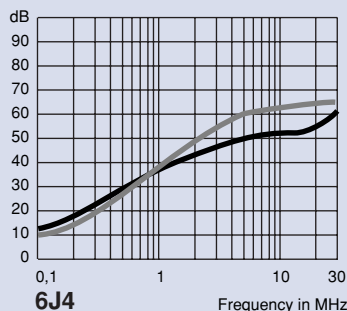
Mounting clip up to 3,2 mm thickness

JA - 403



Typ. Insertion Loss

asym. — sym. —



Device rating label

A	B	C	Part No.
VA	Fuse		
Max.	100/120	230/240	
25	250 mA	125 mA	85 - 1500
50	500 mA	250 mA	85 - 1501
100	1 A	500 mA	85 - 1502
200	2 A	1 A	85 - 1503
250	2,5 A	1,25 A	85 - 1504
300	3 A	1,5 A	85 - 1505
400	4 A	2 A	85 - 1506
500	5 A	2,5 A	85 - 1507
600	6 A	3 A	85 - 1508