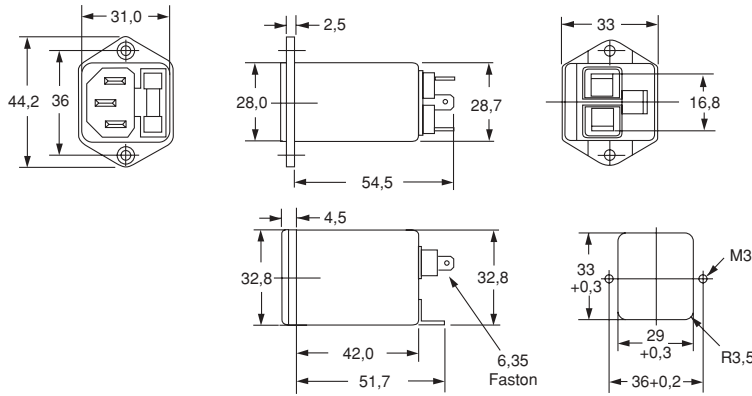
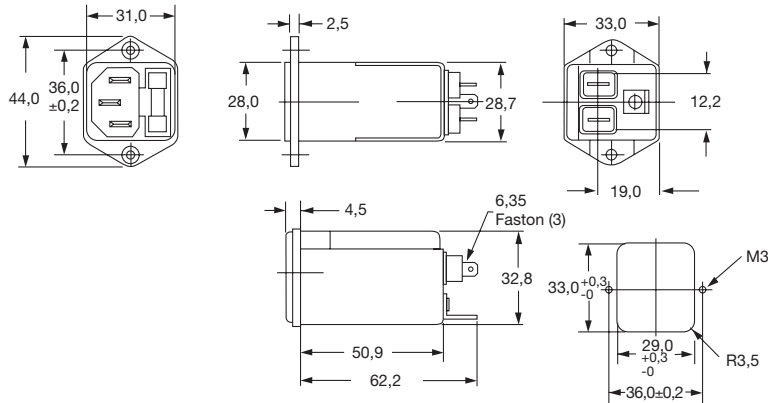


Case Styles and typ. Sizes

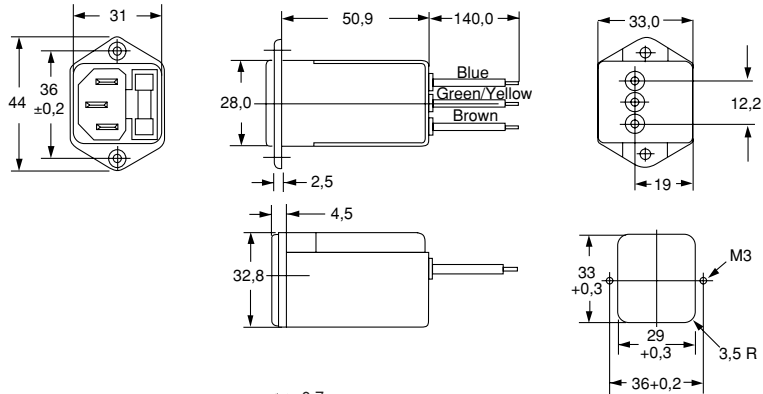
EGG1 / EHG 1



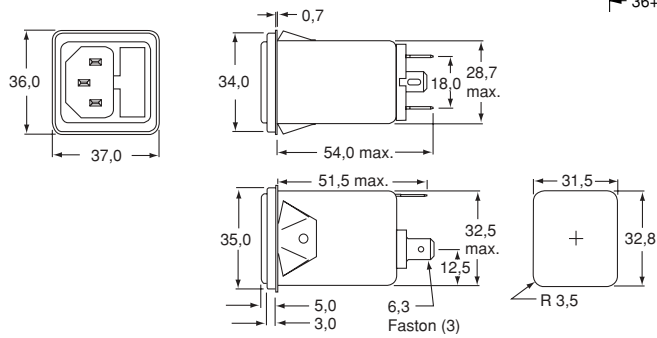
EGG1C



EGG8 / EGG8C



EGS



Typ. Insertion Loss

asym. — sym. —

