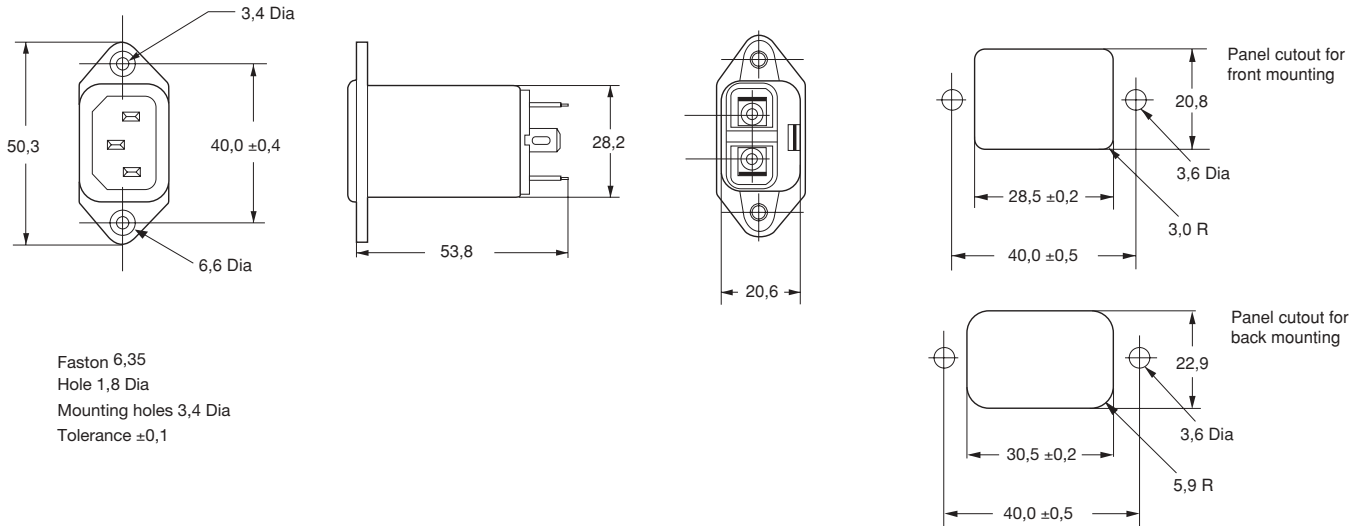
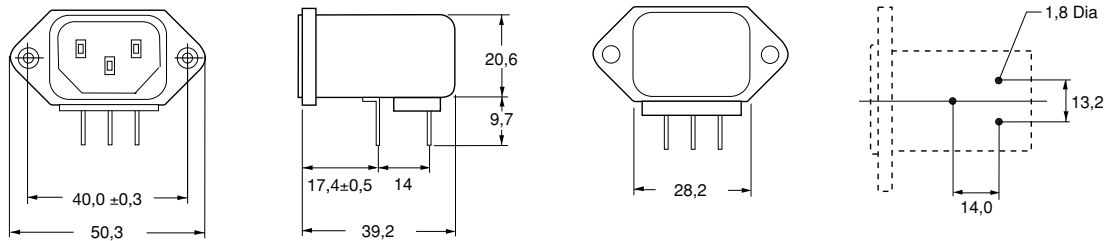


EEA / EEB / EAH

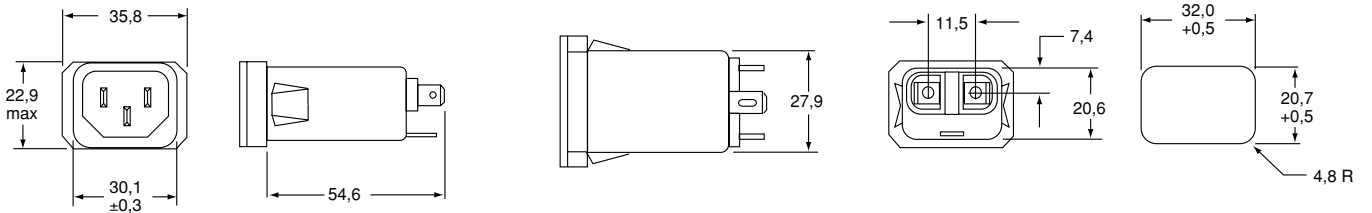


EEAP / EEBP for PLB

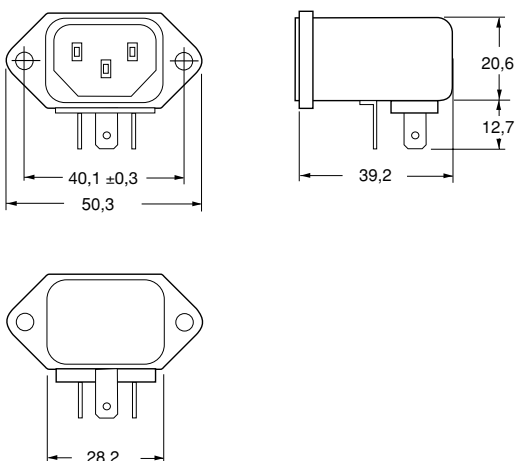


Order information:

EAS / EBS snap-in mounting for thickness 0,8 – 1,2 mm: F-7533F  
for thickness 1,3 – 2,0 mm: F-7533B



EEA2 / EEB2



Accessories for EEA / EEB / EAH / EBH / EAS / EBS -Series

Shroud

for all versions

Material UL-94

Part No.

41-3151-AO

