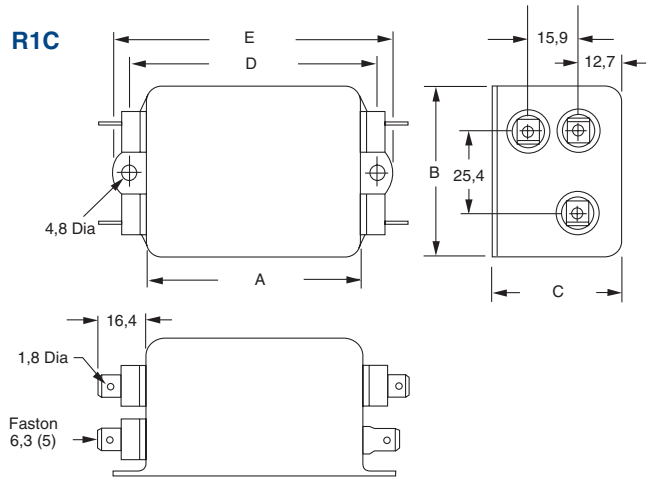
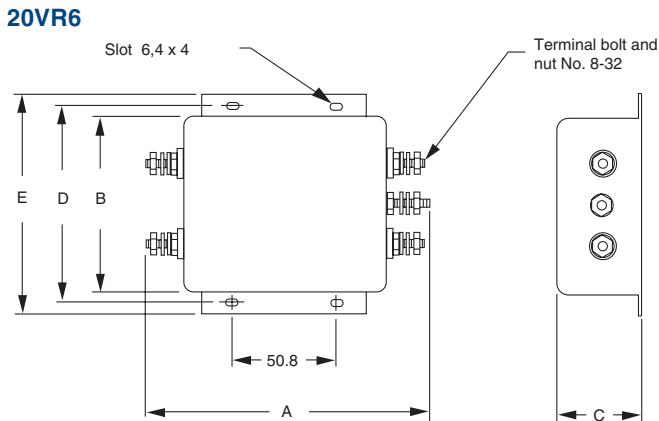
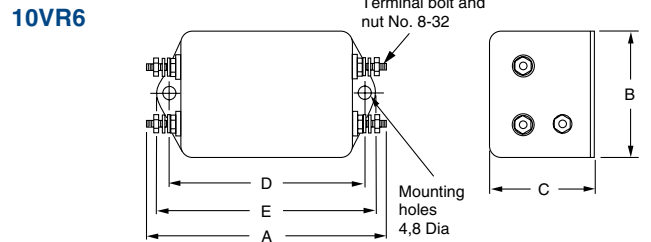
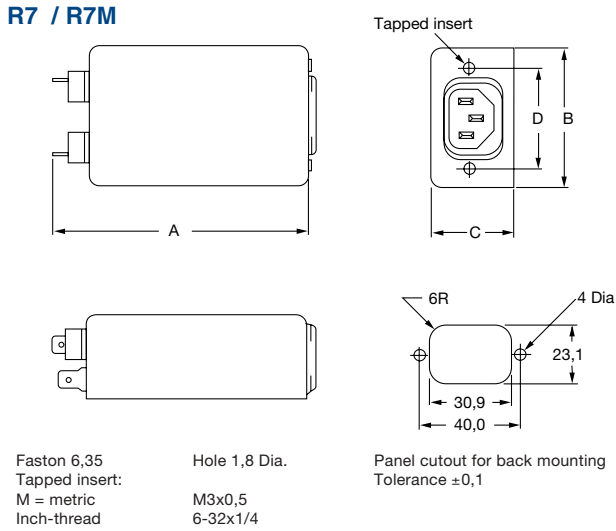
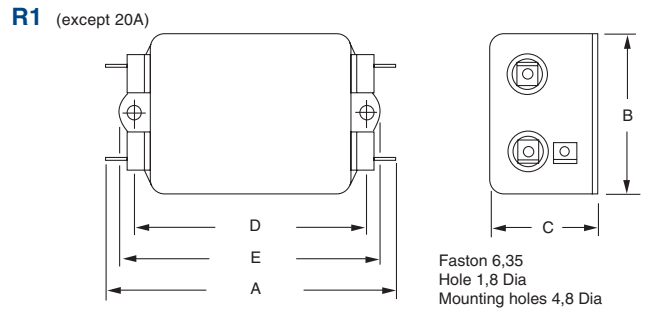
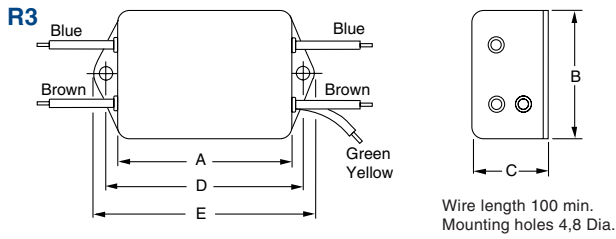


Case Styles and typ.Sizes



Models 20VR1 and 20ER1 are the same as 20VR6, with Faston 6.35 instead of terminal bolts shown.

Typ. Insertion Loss

asym. — sym. —

