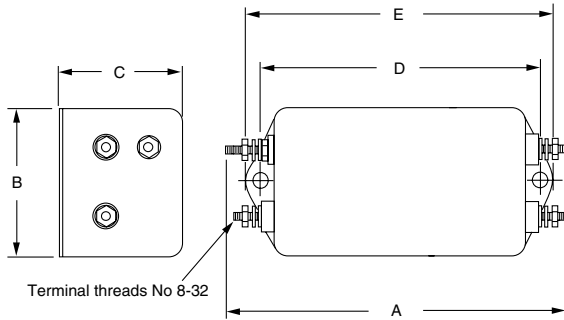
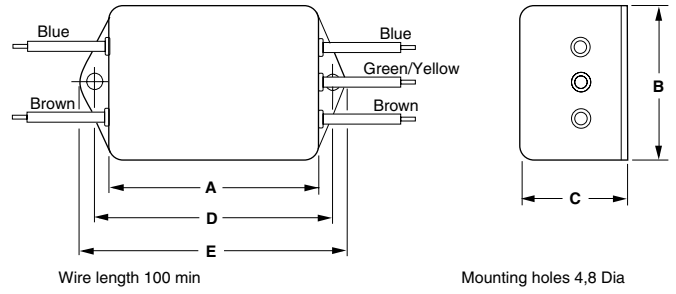


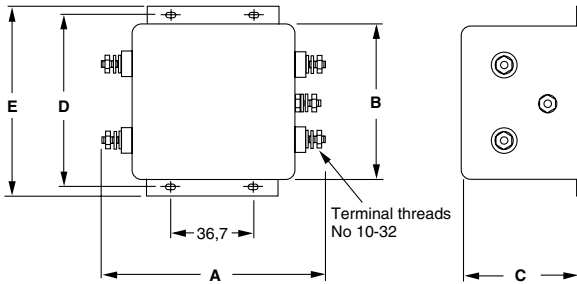
20ESK6 / 20VSK6



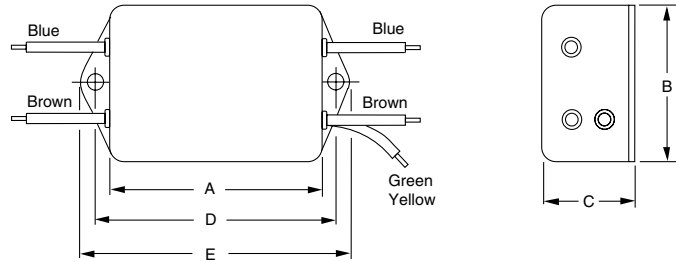
6SK3 / 10SK3



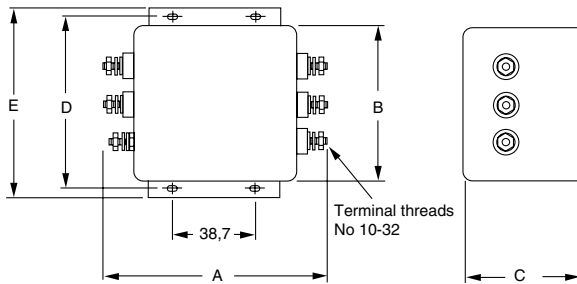
30ESK6 / 30VSK6



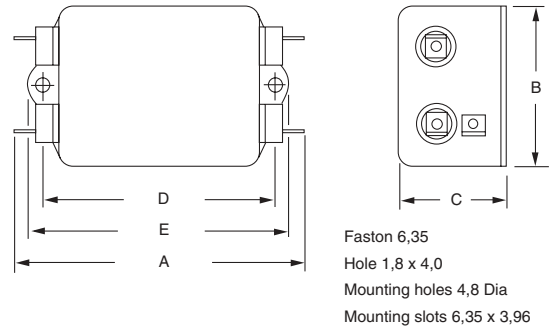
3SK3



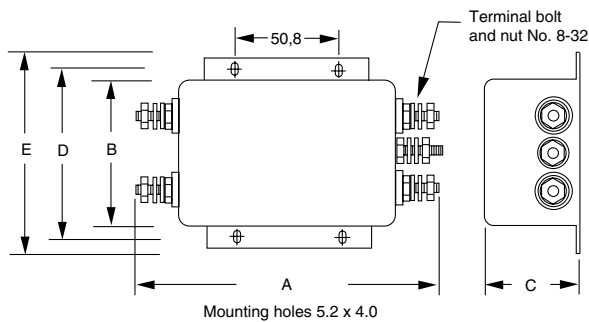
30ESK6C / 30VSK6C



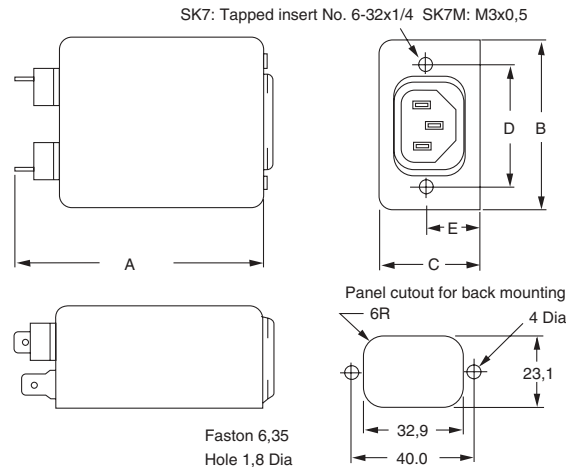
SK1



40VSK6



SK7 / SK7M



Typ. Insertion Loss

asym. — sym. —

