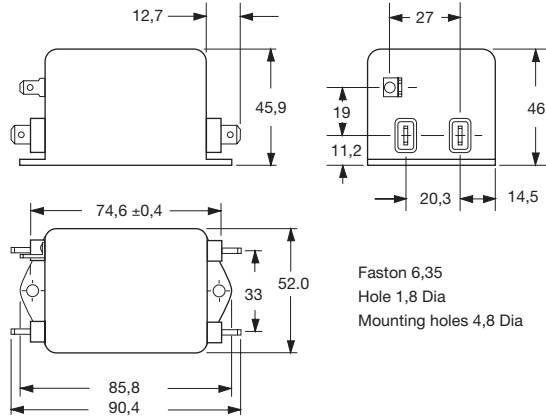
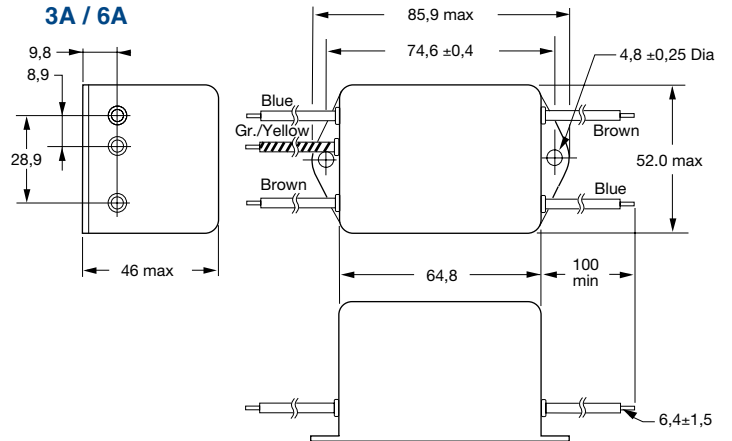


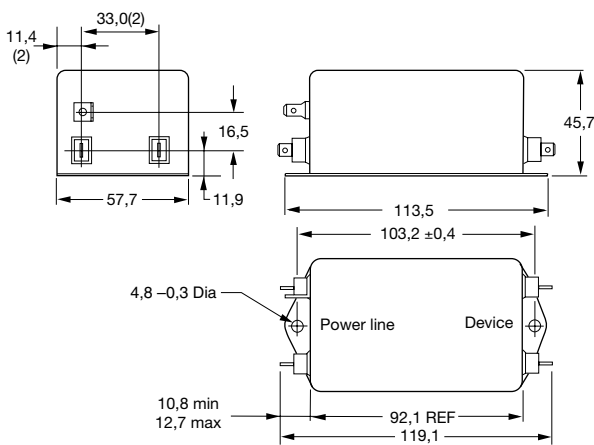
**Terminal variant 1  
3A / 6A**



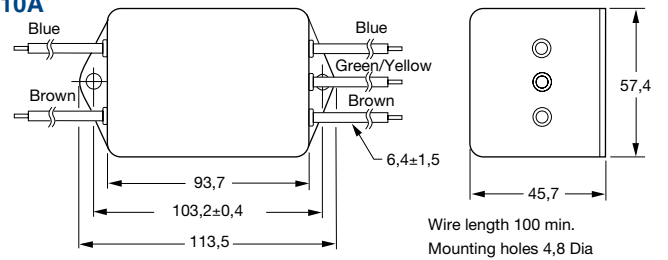
**Terminal variant 3  
3A / 6A**



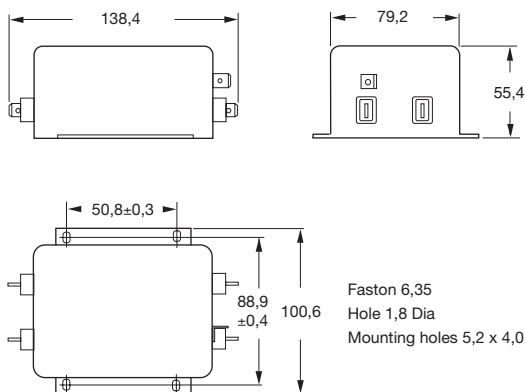
**Terminal variant 1  
10A**



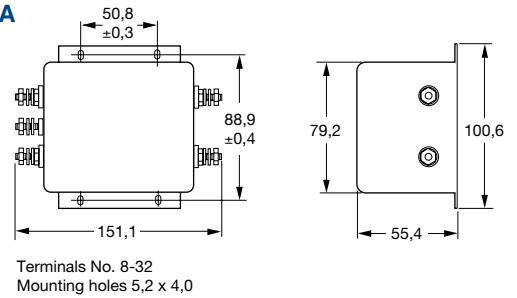
**Terminal variant 3  
10A**



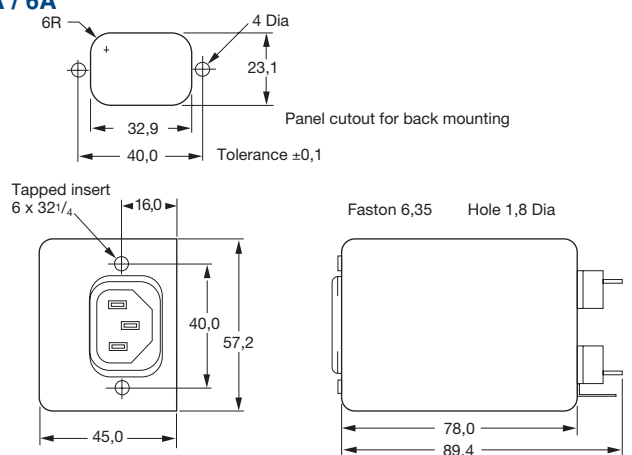
**Terminal variant 1  
15A / 20A**



**Terminal variant 6  
15A / 20A**



**Terminal variant 7  
3A / 6A**



**Typ. Insertion Loss**

asym. — sym. —

