

# Chassis-mount Filters

## FC-Series

- High performance single phase filter
- Suitable to meet latest EMC standards (EN55011, -14, UL1283 and EN133200)
- Applicable in single phase-powered FC-drives with long motor-cables
- Very high insertion loss
- Double stage design
- Shock protected screw type terminals
- Ideal for EMC-trouble shooting and EMC-refurbishing in the field

UL for 6-50 FC10  
VDE for 6-36 FC10



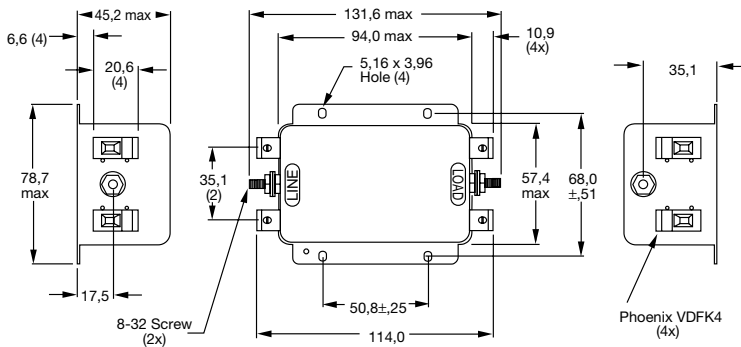
Type	Operating voltage AC 50/60Hz	Max. current	Leakage current 250V/50Hz	Inductance L	Capacity		Type of connection
					C <sub>x</sub>	C <sub>y</sub>	
6FC10	250V	6A	5,2mA	8,8mH	4,4 $\mu$ F	62nF	Terminal block 4mm <sup>2</sup>
12FC10	250V	12A	5,2mA	5,6mH	4,4 $\mu$ F	62nF	Terminal block 4mm <sup>2</sup>
16FC10	250V	16A	5,2mA	5,5mH	4,4 $\mu$ F	62nF	Terminal block 4mm <sup>2</sup>
25FC10	250V	25A	5,2mA	5,0mH	4,4 $\mu$ F	62nF	Terminal block 6mm <sup>2</sup>
36FC10	250V	36A	5,2mA	2,0mH	4,4 $\mu$ F	62nF	Terminal block 6mm <sup>2</sup>
50FC10	250V	50A	6,5mA	2,0mH	6,6 $\mu$ F	77nF	Terminal block 6mm <sup>2</sup>
12FC10B	250V	12A	7mA	5,4mH	4,4 $\mu$ F	62nF	Terminal block 4mm <sup>2</sup>
16FC10B	250V	16A	7mA	4,9mH	4,4 $\mu$ F	62nF	Terminal block 4mm <sup>2</sup>
25FC10B	250V	25A	7mA	5,0mH	4,4 $\mu$ F	62nF	Terminal block 6mm <sup>2</sup>
36FC10B	250V	36A	7mA	2,0mH	4,4 $\mu$ F	62nF	Terminal block 6mm <sup>2</sup>
50FC10B	250V	50A	7mA	2,0mH	6,6 $\mu$ F	62nF	Terminal block 6mm <sup>2</sup>

Earth-conductor-connection on both sides with threaded studs

**Caution: Increased leakage current - please observe mounting instructions**

## Case Styles and typ. Sizes

### 6FC10



**Terminals**  
6, 12, 16A : to 4mm<sup>2</sup>  
25, 36, 50A : to 6mm<sup>2</sup>

### 12FC10 / 16FC10

