

# 3-Phase Filters

## FCD-Series

- Suitable to meet latest EMC standards (EN55011, -14, UL1283 and EN133200)
- Designed for very noisy delta applications, e.g. frequency converters with long motor cables
- Very high insertion loss
- Low leakage currents
- Shock protected screw-type terminal
- Ideal for EMC-trouble shooting and EMC-refurbishing in the field
- Nominal operating voltage 480V
- Voltages up to 500V and beyond on request

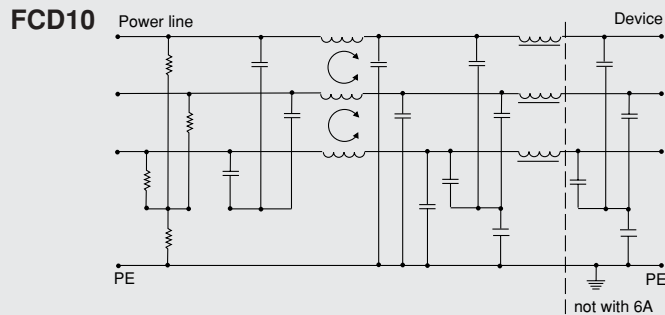


Type	Operating voltage AC 50/60Hz	Max. current	Max. Leakage current voltage drop virtual N to PE/V	Inductance L	Capacity		Type of connection
					C <sub>x</sub>	C <sub>y</sub>	
6FCD10	480V	3x6A	0,26mA/V	4,62mH	2,2µF	0,7µF	Terminal block 4mm <sup>2</sup>
12FCD10	480V	3x12A	0,45mA/V	3,47mH	2,3µF	1,22µF	Terminal block 4mm <sup>2</sup>
16FCD10	480V	3x16A	0,45mA/V	3,46mH	2,3µF	1,22µF	Terminal block 4mm <sup>2</sup>
25FCD10	480V	3x25A	0,52mA/V	4,0mH	3,3µF	1,39µF	Terminal block 6mm <sup>2</sup>
36FCD10	480V	3x36A	0,52mA/V	1,7mH	3,3µF	1,39µF	Terminal block 6mm <sup>2</sup>
50FCD10	480V	3x50A	0,52mA/V	1,03mH	3,3µF	1,39µF	Terminal block 10mm <sup>2</sup>
12FCD10B	480V	3x12A	0,46mA/V	3,37mH	1,5µF	1,22µF	Terminal block 4mm <sup>2</sup>
16FCD10B	480V	3x16A	0,46mA/V	3,40mH	1,5µF	1,22µF	Terminal block 4mm <sup>2</sup>
25FCD10B	480V	3x25A	0,52mA/V	3,96mH	2,2µF	1,39µF	Terminal block 6mm <sup>2</sup>
36FCD10B	480V	3x36A	0,52mA/V	1,66mH	2,2µF	1,39µF	Terminal block 6mm <sup>2</sup>
50FCD10B	480V	3x50A	0,57mA/V	1,03mH	3,3µF	1,52µF	Terminal block 10mm <sup>2</sup>
80FCD10B	480V	3x80A	0,62mA/V	0,80mH	4,4µF	1,64µF	Terminal block 50mm <sup>2</sup>
110FCD10B	480V	3x110A	0,62mA/V	0,70mH	4,4µF	1,64µF	Terminal block 50mm <sup>2</sup>
150FCD10B	480V	3x150A	0,63mA/V	0,53mH	5,5µF	1,70µF	Terminal block 50mm <sup>2</sup>
150FCD10B-95	480V	3x150A	0,63mA/V	0,53mH	5,5µF	1,70µF	Terminal block 95mm <sup>2</sup>
180FCD10B	480V	3x180A	0,92mA/V	0,62mH	6,6µF	2,46µF	Terminal block 95mm <sup>2</sup>
200FCD10B	480V	3x200A	0,92mA/V	0,62mH	6,6µF	2,46µF	Terminal block 95mm <sup>2</sup>
230FCD10B	480V	3x230A	0,92mA/V	0,40mH	7,7µF	2,50µF	Terminal block 95mm <sup>2</sup>

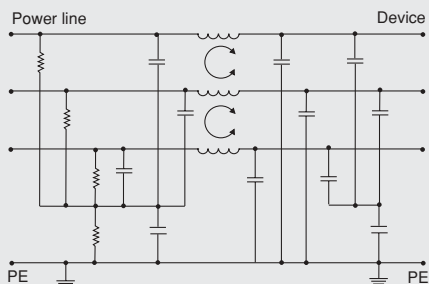
Earth-conductor-connection with threaded studs on each side

**Caution:** Increased leakage current - please observe mounting instructions

### Electrical Schematic



**FCD10B  
12A to 50A**



**FCD10B  
80A to  
230A**

