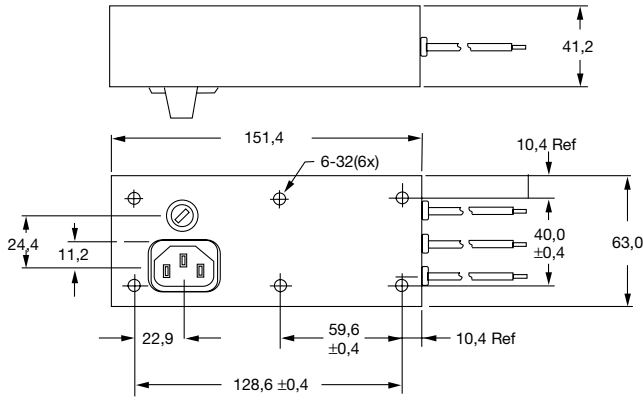
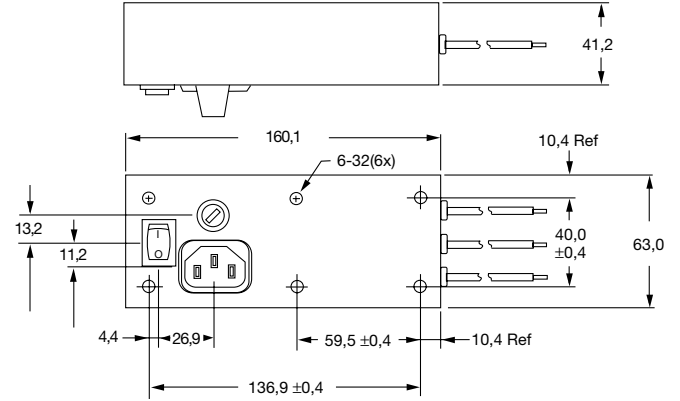


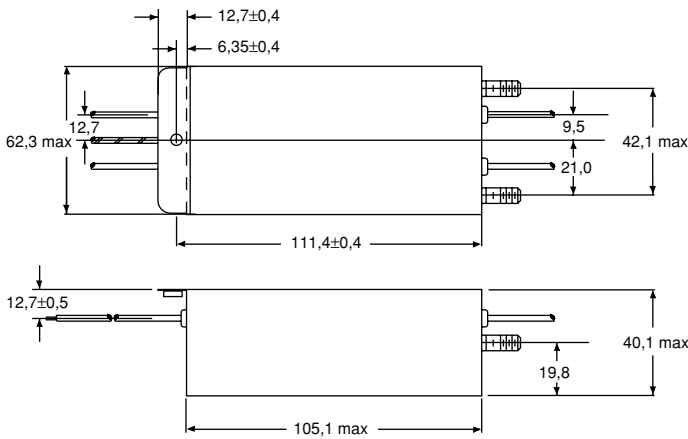
3VAQ8F



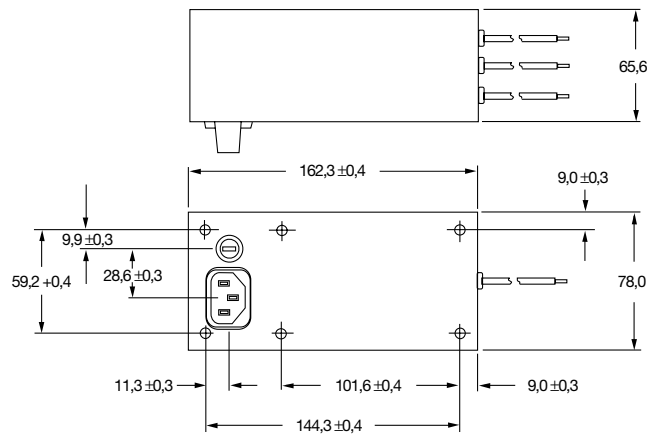
3VAQ8FS



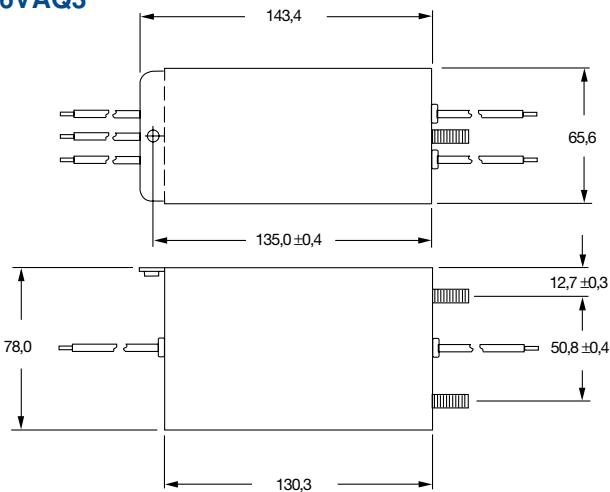
3VAQ3



6VAQ8F

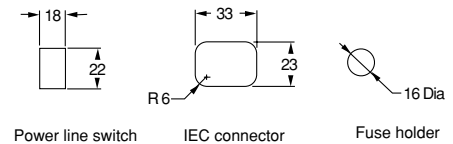


6VAQ3



Inserts and studs: 6-32  
Wire leads: 300 min.

Recommended panel cutouts



Typ. Insertion Loss

asym. — sym. —

