

Multifunction- Power-Entry-Module

P-Series

- IEC-plug with/without filter
- Two pole line switch (optional)
- Double voltage selector
- Combined fuse holder (twist protected)
- Line filter to 10 A/250 VAC (optional, also for medical applications)
- Mounting cutout appr. 27 x 56 mm only
- Filter mountable in the field



according IEC 950



Filter Selection Table

Filter type	Max.current UL/VDE	Shielding	Inductance	Capacity	
				C _y	C _x
S3A	3A	yes	2x 2,0mH	3nF	0,047µF
S30	3A	no	2x 2,0mH	3nF	0,047µF
S6A	6A	yes	2x 0,66mH	3nF	0,047µF
S60	6A	no	2x 0,66mH	3nF	0,047µF
SXA	10A	yes	2x 0,27mH	3nF	0,047µF
SX0	10A	no	2x 0,27mH	3nF	0,047µF
Z6C	6A	yes	2x 6,7mH	3nF	1,0µF
ZXC	10A	yes	2x 4,0mH	3nF	1,0µF

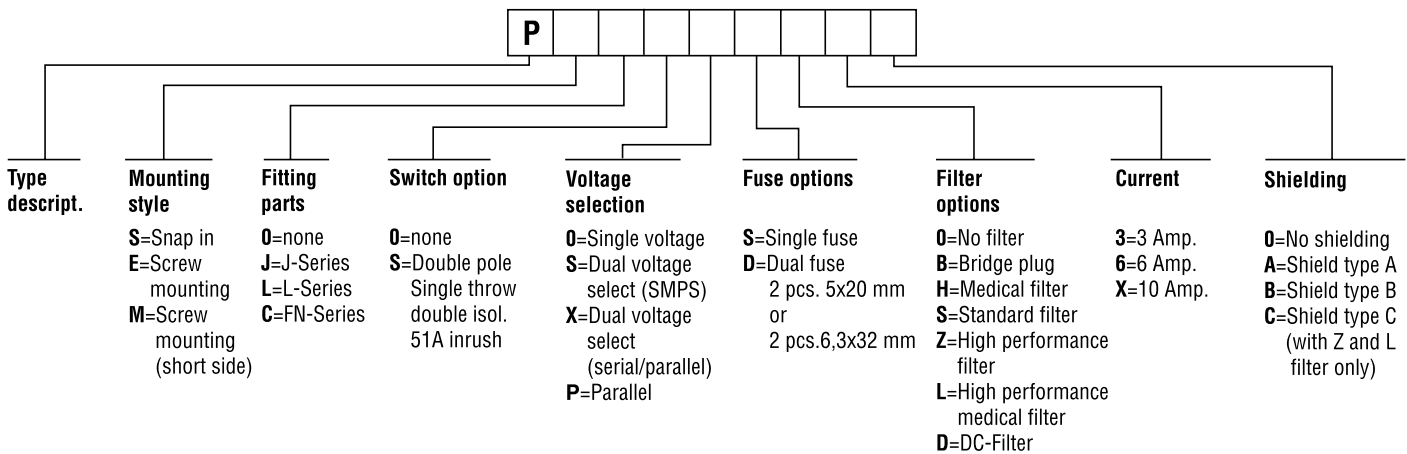
Max. leakage current line to ground 0,5 mA at 250 VAC/50Hz

Filter Selection Table for medical Applications

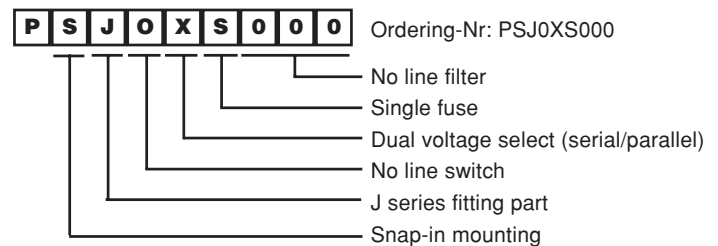
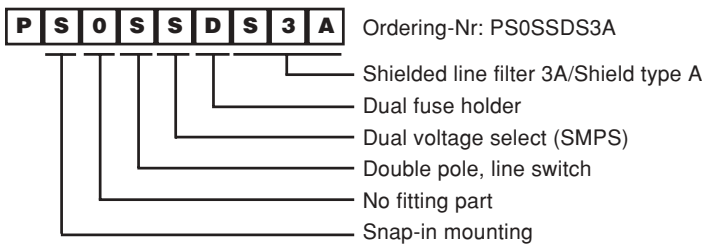
Filter type	Max.current UL/VDE	Shielding	Inductance	Capacity	
				C _y	C _x
H3A	3A	yes	2x 2,0mH	-	0,047µF
H30	3A	no	2x 2,0mH	-	0,047µF
H6A	6A	yes	2x 0,66mH	-	0,047µF
H60	6A	no	2x 0,66mH	-	0,047µF
HXA	10A	yes	2x 0,27mH	-	0,047µF
HX0	10A	no	2x 0,27mH	-	0,047µF
L6C	6A	yes	2x 6,7mH	-	1,0µF
LXC	10A	yes	2x 4,0mH	-	1,0µF

Max. leakage current line to ground < 5 µA at 250 VAC/50Hz

Ordering Information



Example:



Note 1: If ordered w/o filter max. current 10A

Note 2: Z and L versions only available with screw mounting and without voltage selector (PE only)

Note 3: No extender option possible when ordered with screw mounting (PE)