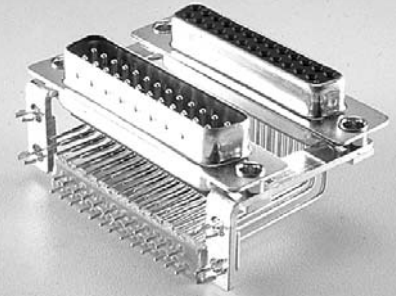


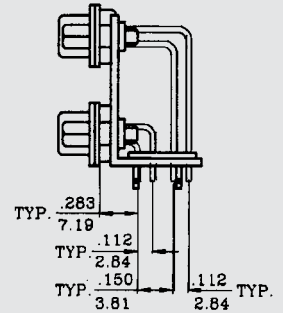
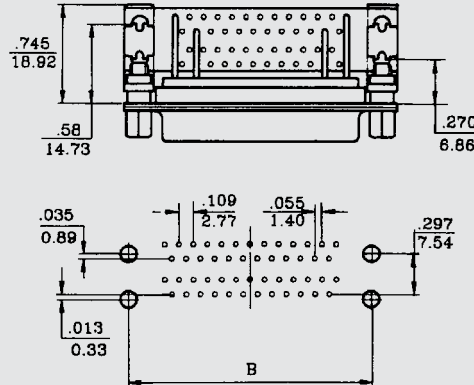
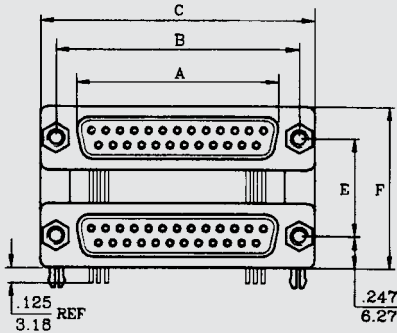
# DPM SERIES

## DUAL-PORT MACHINED PIN

9/9, 15/15, 25/25,  
37/37, 50/50



DPM - B25SB/B25P - BN - 000 ◀ EXAMPLE



## DIMENSIONS

SHELL SIZE	A .010 0.25	B 0.010 0.13	C .015 0.38
9 (E)	0.634 16.33	0.984 24.99	.213 30.81
15 (A)	0.971 24.66	1.312 33.32	1.541 39.14
25 (B)	1.511 38.38	1.852 47.04	2.088 53.04
37 (C)	2.159 54.84	2.50 63.50	2.729 69.32
50 (D)	2.064 52.43	2.406 61.11	2.635 66.93

Vertical Dimension between connectors	E 0.010 0.25	F 0.015 0.38
A	0.75 19.05	1.244 31.60
B	0.90 22.86	1.394 35.41
C	0.625 15.88	1.119 28.42

To return to this page use return button in your browser

• MOUNTING OPTIONS:  
SEE PAGE 13

## HOW TO ORDER

SERIE	TOP CONNECTOR			BOTTEM CONNECTOR			MOUNTING OPTIONS	CONTACT PLATING	INSULATOR COLOR	SHELL FINISH
	SHELL	PINS	M/F	SHELL	PINS	M/F				
EXAMPLE → DPM	B	25	SB	B	25	P	BN	0	0	0
DPM	E	9	P	E	9	P	*B0 PAGE.13	*0 = G/F 4 = 15μ" 1 = SEL G/F 5 = 20μ" 2 = 5μ" 6 = 30μ" 3 = 10μ"	*0 = BLACK 1 = WHITE 2 = BLUE 3 = GRAY	*0 = TIN 1 = NICKEL 2 = ZINC 3 = PLASTIC

\*STANDARD