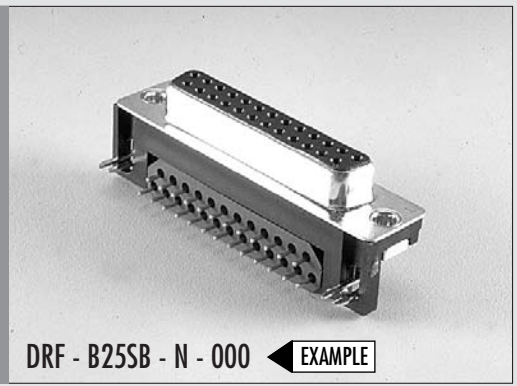
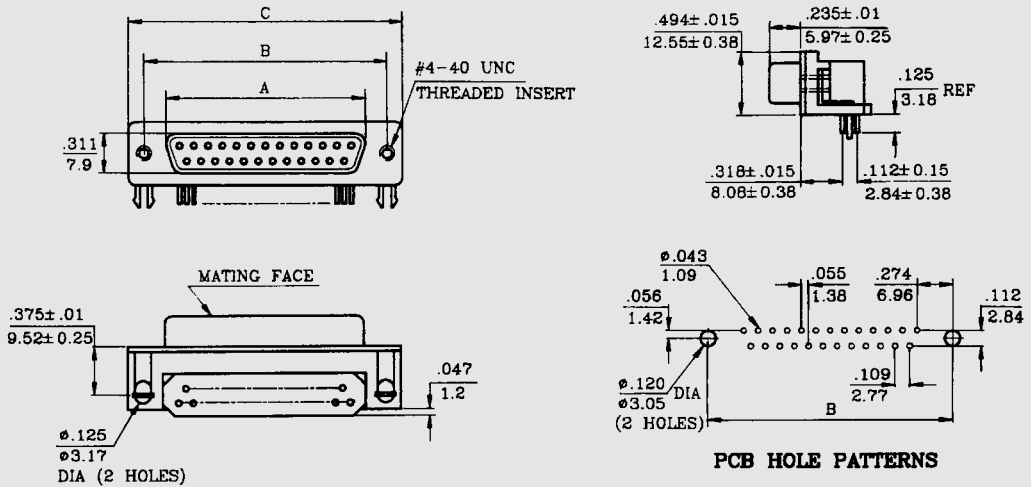


DRF SERIES

D-SUB
RIGHT ANGLE
0.318" FOOTPRINT
WITH FERRITE



DRF - B25SB - N - 000 ◀ EXAMPLE



DIMENSIONS

SHELL SIZE	A 0.010 0.25	B .005 0.13	C .015 0.38
9 (E)	0.643 16.33	0.984 24.99	1.213 30.81
15 (A)	0.971 24.66	1.312 33.32	1.541 39.14
25 (B)	1.511 38.38	1.852 47.04	2.088 53.04
37 (C)	2.159 54.84	2.500 63.50	2.729 69.32

FERRITE SPECIFICATIONS

ITEM	Measure value	Test Frequency
Z (ohm)	20 MIN	30 MHz
Z (ohm)	30 MIN	50 MHz
Z (ohm)	50 MIN	100 MHz

To return to this page
use return button in
your browser

• MOUNTING OPTIONS:
SEE PAGE 23, 24

HOW TO ORDER

SERIE	SHELL	PINS	M/F	MOUNTING OPTIONS	CONTACT PLATING	INSULATOR COLOR	SHELL FINISH
EXAMPLE ▶ DRF	B	25	P	N	0	0	0
DRF	E A B C	9 15 25 37	P SB	*NJ PAGE 23, 24	*0 = G/F 4 = 15µ" 1 = SEL G/F 5 = 20µ" 2 = 5µ" 6 = 30µ" 3 = 10µ"	*0 = BLACK 1 = WHITE 2 = BLUE 3 = GRAY	*0 = TIN 1 = NICKEL 2 = ZINC 3 = ALL PLASTIC

*STANDARD