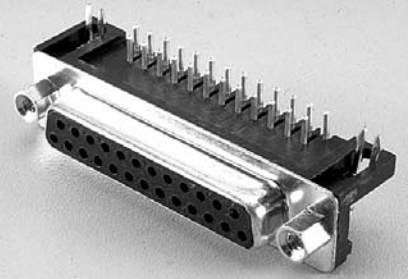
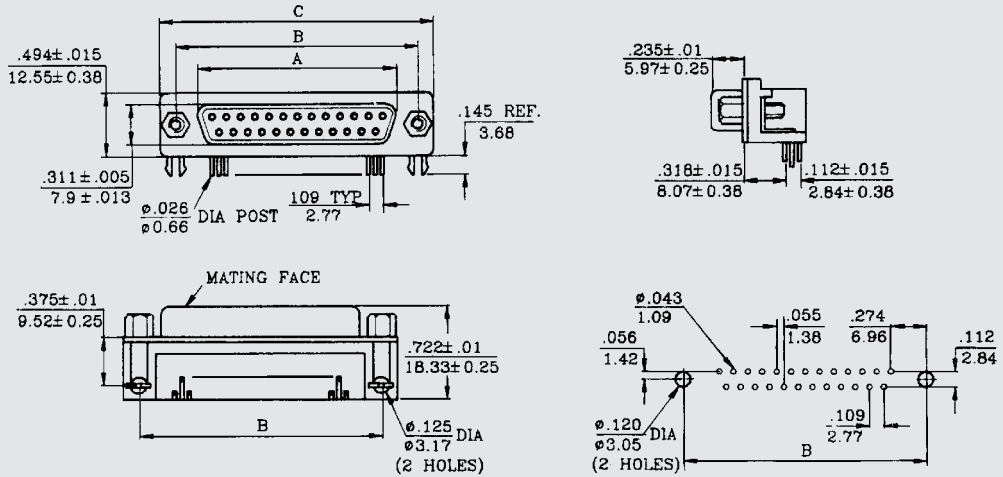


DR SERIES

D-SUB CONNECTOR RIGHT ANGLE TYPE 0.318" FOOTPRINT



DR - B25SB - NJ - 000 ◀ EXAMPLE



DIMENSIONS

SHELL SIZE	A 0.010 0.25	B .005 0.13	C .015 0.38
9 (E)	0.643 16.33	0.984 24.99	1.213 30.81
15 (A)	0.971 24.66	1.312 33.32	1.541 39.14
19 (G)	1.208 30.86	1.526 38.76	1.764 44.81
23 (F)	1.401 35.60	1.751 44.48	1.980 50.30
25 (B)	1.511 38.38	1.852 47.04	2.088 53.04
37 (C)	2.159 54.84	2.500 63.50	2.729 69.32
50 (D)	2.064 52.43	2.406 61.11	2.635 66.93

To return to this page use return button in your browser

• MOUNTING OPTIONS:
SEE PAGE 23, 24

HOW TO ORDER

SERIE	SHELL	PINS	M/F	MOUNTING OPTIONS	CONTACT PLATING	INSULATOR COLOR	SHELL FINISH
EXAMPLE → DR	B	25	SB	NJ	0	0	0
DR	E A G F B C D	9 15 19 23 25 37 50	P SB	*NJ PAG 23, 24	*0 = G/F 1 = SEL G/F 2 = 5μ" 3 = 10μ" 4 = 15μ" 5 = 20μ" 6 = 30μ"	*0 = BLACK 1 = WHITE 2 = BLUE 3 = GRAY	*0 = TIN 1 = NICKEL 2 = ZINC 3 = ALL PLASTIC

*STANDARD