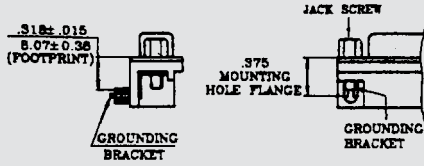


MOUNTING OPTIONS

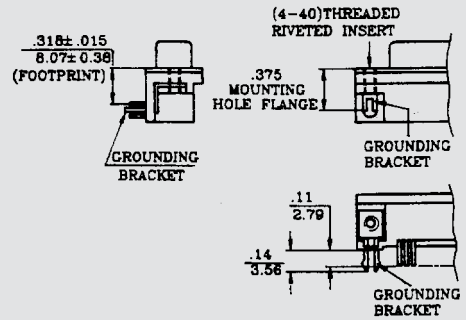
MOUNTING OPTIONS
SEE PAGE 24

To return to this page use
return button in your browser

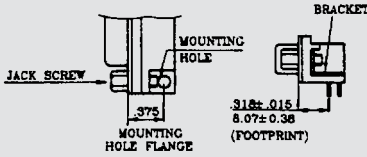
OPTION X
WITH GROUNDING BRACKETS (LOCKING
TYPE), AND JACK SCREWS ASSEMBLED TO
CONNECTOR



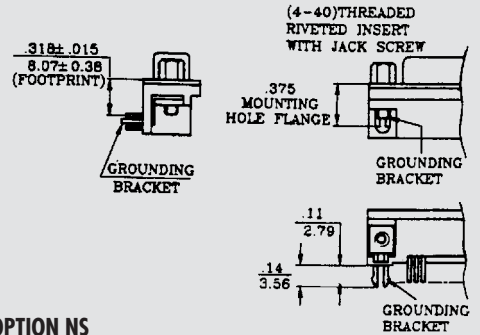
OPTION N
WITH GROUNDING BRACKETS (LOCKING TYPE) AND
WITH RIVETED THREADED INSERTS



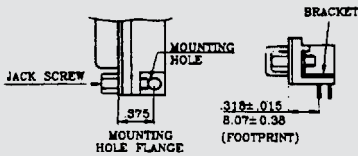
OPTION I
WITH .130 DIAMETER NON-THREADED MOUNTING
HOLES, AND WITH JACK SCREWS



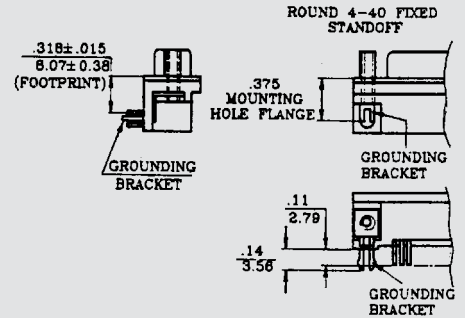
OPTION NJ
WITH GROUNDING BRACKETS (LOCKING TYPE) WITH
RIVETED THREADED INSERTS AND JACK SCREWS
ASSEMBLED TO CONNECTOR



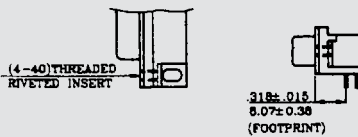
OPTION J
WITH 4-40 TREADED MOUNTING HOLES, AND WITH
JACK SCREWS



OPTION NS
WITH GROUNDING BRACKETS (LOCKING TYPE) AND
WITH ROUND 4-40 FIXED STANDOFF



OPTION G
WITH RIVETED THREADED INSERTS



OPTION NT
WITH GROUNDING BRACKETS (LOCKING TYPE) AND
WITH .125 DIAMETER NON-THREADED RIVETED
INSERTS

