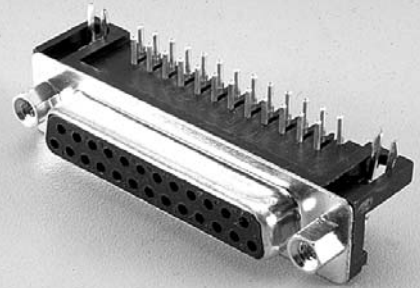
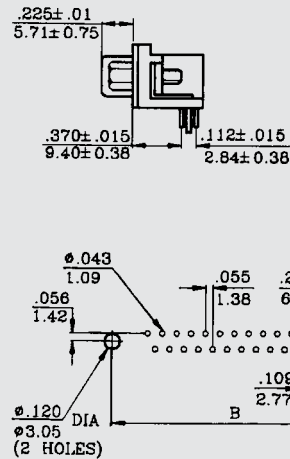
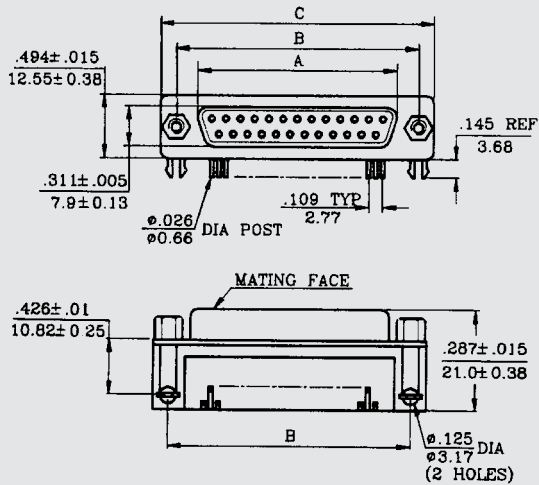


# DRM SERIES

## D-SUB CONNECTOR RIGHT ANGLE TYPE 0.370" FOOTPRINT



DRM - B25SB - NJ - 000 ◀ EXAMPLE



## DIMENSIONS

SHELL SIZE	A	B	C
	0.010 0.25	.005 0.13	.015 0.38
9 (E)	0.643 16.33	0.984 24.99	1.213 30.81
15 (A)	0.971 24.66	1.312 33.32	1.541 39.14
25 (B)	1.511 38.38	1.852 47.04	2.088 53.04
37 (C)	2.159 54.84	2.500 63.50	2.729 69.32

## MOUNTING OPTIONS:

- X:** GROUNDING BRACKET, WITH JACK SCREWS
- N:** GROUNDING BRACKET, WITH #4-40 THREADED INSERTS
- NJ:** GROUNDING BRACKET, WITH #4-40 THREADED INSERTS, AND JACK SCREWS ASSEMBLED TO CONNECTOR
- NS:** GROUNDING BRACKET, WITH ROUND #4-40 FIXED STANDOFF

## HOW TO ORDER

SERIE	SHELL	PINS	M/F	MOUNTING OPTIONS	CONTACT PLATING	INSULATOR COLOR	SHELL FINISH
EXAMPLE → DRM	B	25	SB	NJ	0	0	0
DRM	E A B C	9 15 26 37	P SB	*NJ X N NS	*0 = G/F 4 = 15μ" 1 = SEL G/F 5 = 20μ" 2 = 5μ" 6 = 30μ" 3 = 10μ"	*0 = BLACK 1 = WHITE 2 = BLUE 3 = GRAY	*0 = TIN 1 = NICKEL 2 = ZINC 3 = ALL PLASTIC

\*STANDARD