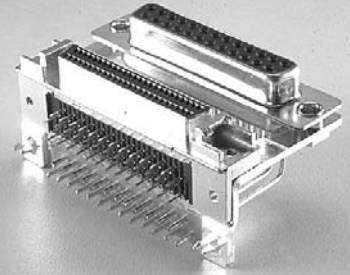
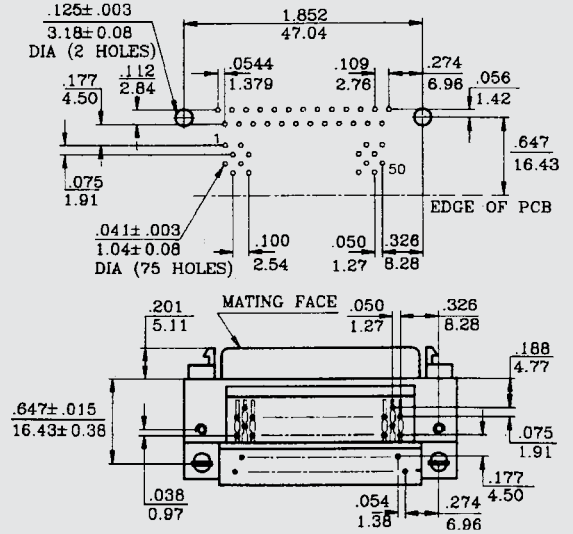
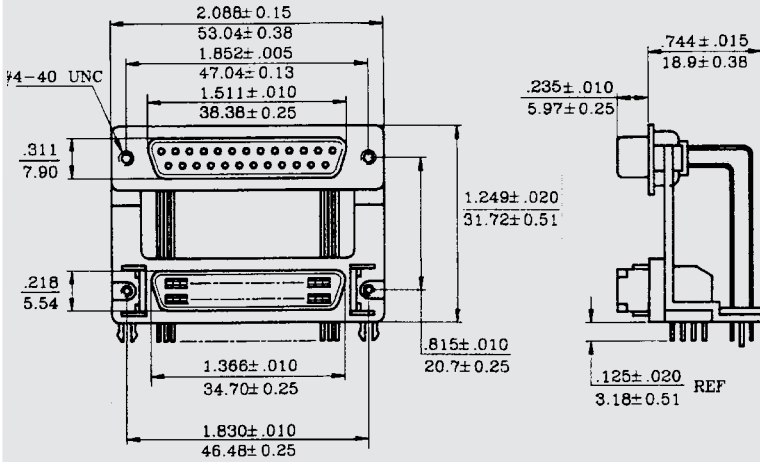


DP SERIES

DUAL-PORT 25S/SCSI II 50S



DP - B25SB/SCSI II 50S - A0 - 000 ◀ EXAMPLE



To return to this page
use return button in
your browser

• MOUNTING OPTIONS:
SEE PAGE 13

HOW TO ORDER

SERIE	TOP CONNECTOR			BOTTEM CONNECTOR			MOUNTING OPTIONS	CONTACT PLATING	INSULATOR COLOR	SHELL FINISH
	SHELL	PINS	M/F	SHELL	PINS	M/F				
EXAMPLE → DP	B	25	SB	SCSI II	50	S	A0	0	0	0
DP	B	25	SB	SCSI II	50	S	*B0 PAGE.13	*0 = G/F 4 = 15µ" 1 = SEL G/F 5 = 20µ" 2 = 5µ" 6 = 30µ" 3 = 10µ"	*0 = BLACK 1 = WHITE 2 = BLUE 3 = GRAY	*0 = TIN 1 = NICKEL 2 = ZINC 3 = PLASTIC

*STANDARD