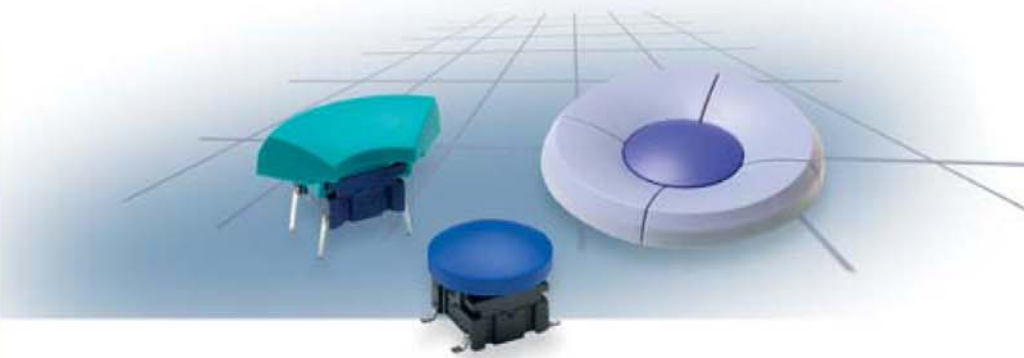
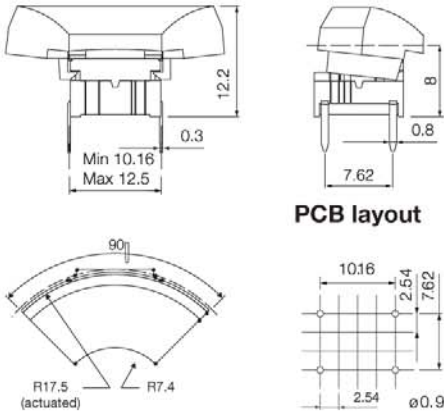


## Technical Data

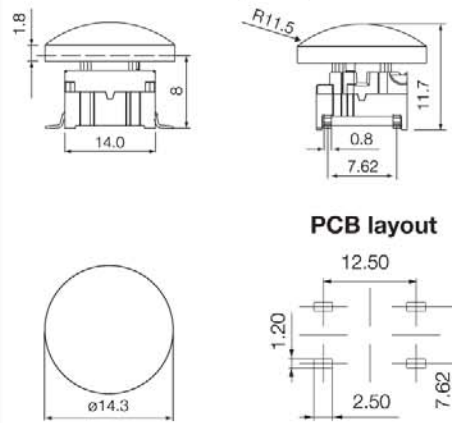
- through-hole or SMD
- 50mA/24VDC
- single pole/momentary
- 10.000.000 operations life time
- IP67 sealing
- temperature range:
  - low temp: -40/+115°C
  - high temp: -40/+160°C



### Dimensions 1ZB (through-hole)

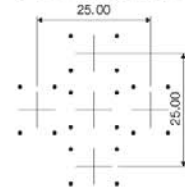


### Dimensions 1ZC (SMD)

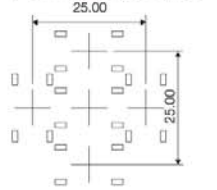


**Recommended panel cut-out:**  
 ø35.0-35.5 Depending on application

### PCB layout TH



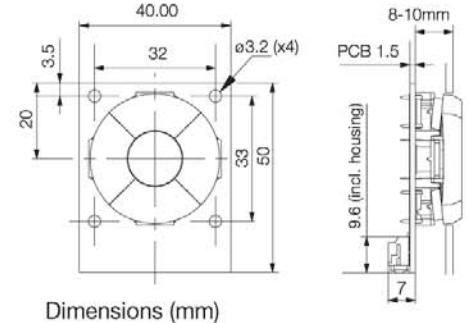
### PCB layout SMD



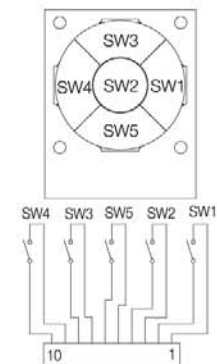
## How to order

<b>3 A</b>	<input type="checkbox"/>	<input type="checkbox"/>	<input type="checkbox"/>	<input type="checkbox"/>
<b>Switch</b>	<b>Mounting</b>	<b>L 6</b> low temp.	<b>Cap 1ZB</b>	<b>03</b> grey
	<b>T</b> through-hole	<b>H 9</b> high temp.		<b>06</b> white
	<b>S</b> surface mount			<b>09</b> black
<b>3 F</b>	<input type="checkbox"/>	<input type="checkbox"/>	<input type="checkbox"/>	<b>30</b> ultra blue
<b>Switch</b>	<b>Mounting</b>	<b>L 6</b> low temp.	<b>Cap 1ZC</b>	<b>40</b> dusty blue
	<b>T</b> through-hole	<b>H 9</b> high temp.		<b>42</b> aqua blue
	<b>S</b> surface mount			<b>50</b> metal dark blue
				<b>53</b> metal light grey
				<b>57</b> metal dark grey
				<b>58</b> metal bordeaux

### Dimensions Navimec<sup>™</sup> Module



### Circuit Diagram Navimec<sup>™</sup> Module (Front side View)



The plug on the Navimec<sup>™</sup> module is JST SMT S10B-PH-SM3-TB or similar. We recommend using Cable socket: JST PHR-10 or similar Contact: JST SPH-002T-PO.5S or similar.

## Navimec<sup>™</sup> Module

**Part No. 9508000** Navimec<sup>™</sup> Module excl. keycaps  
**Part No. 950XXYY** Navimec<sup>™</sup> Module incl. keycaps  
**Part No. 9509XXXYYY** Navimec<sup>™</sup> Module incl. keycaps with legends

The module can be delivered with keycaps (4 x 1ZB and 1 x 1ZC) in solid colours or black keycaps with white legends. For module incl. keycaps in solid colours (950XXYY) please indicate colour code for 1ZBXX and colour code for 1ZCYY. For module incl. keycaps with legends (9509XXXYYY) please indicate legends for 1ZBXX and legends for 1ZCYYY. All Caps are black with white legends. Please see legends available on page 23.

**Examples:** Module with 5 switches (4x3ATL6+1x3FTL6) mounted with 4x1ZB30 ultra blue and 1x1ZC42 aqua blue = 9503042.  
 Module with 5 switches (4x3ATL6+1x3FTL6) mounted with 4x1ZB09XD136 (legend arrow) and 1x1ZC09118 (legend OK) = 9509136118.

**Ordering example:** 4x3ATL6+1ZB53 and 1x3FTL6+1ZC58 or Navimec<sup>™</sup> Module 9505358